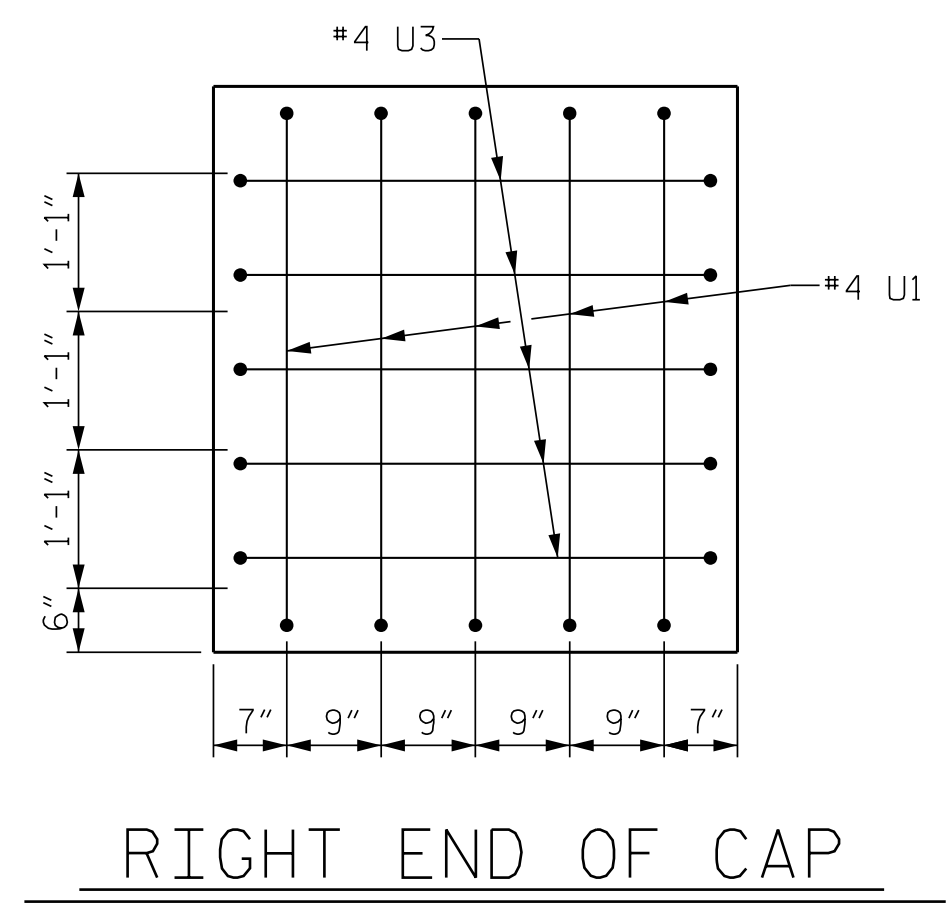
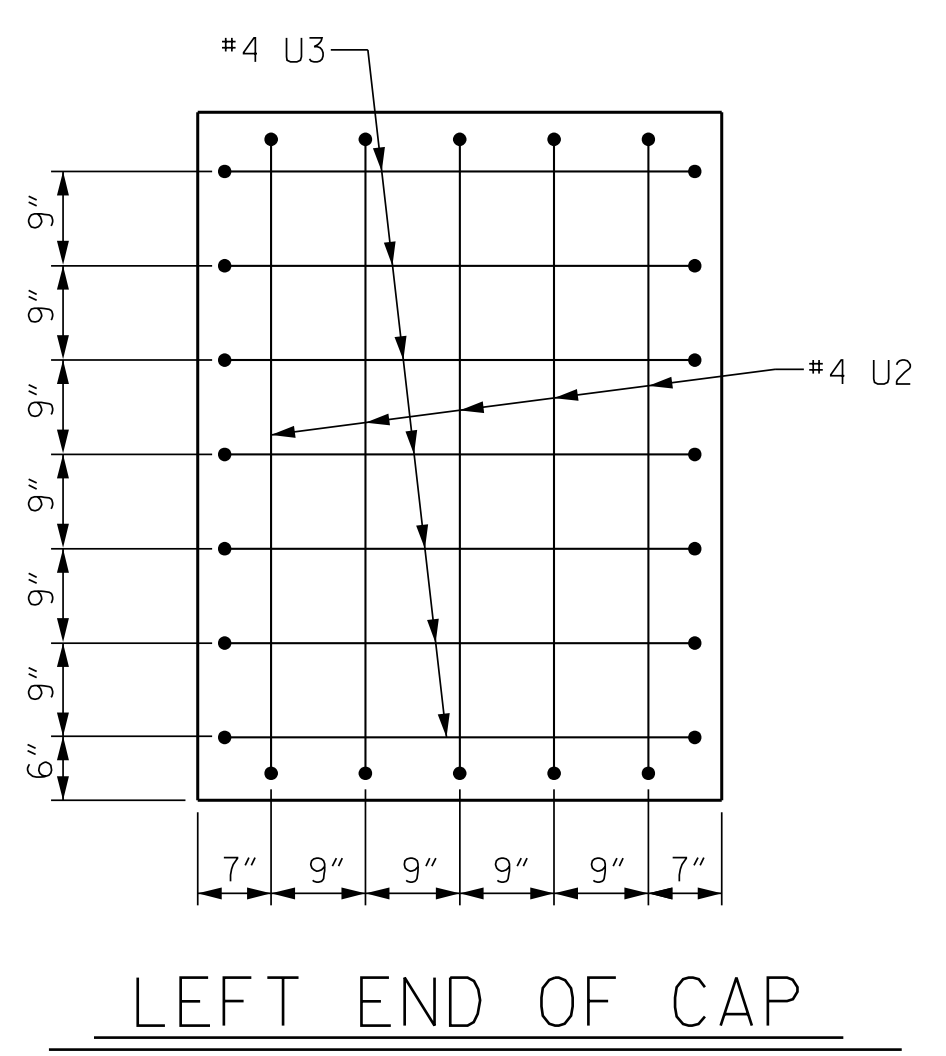
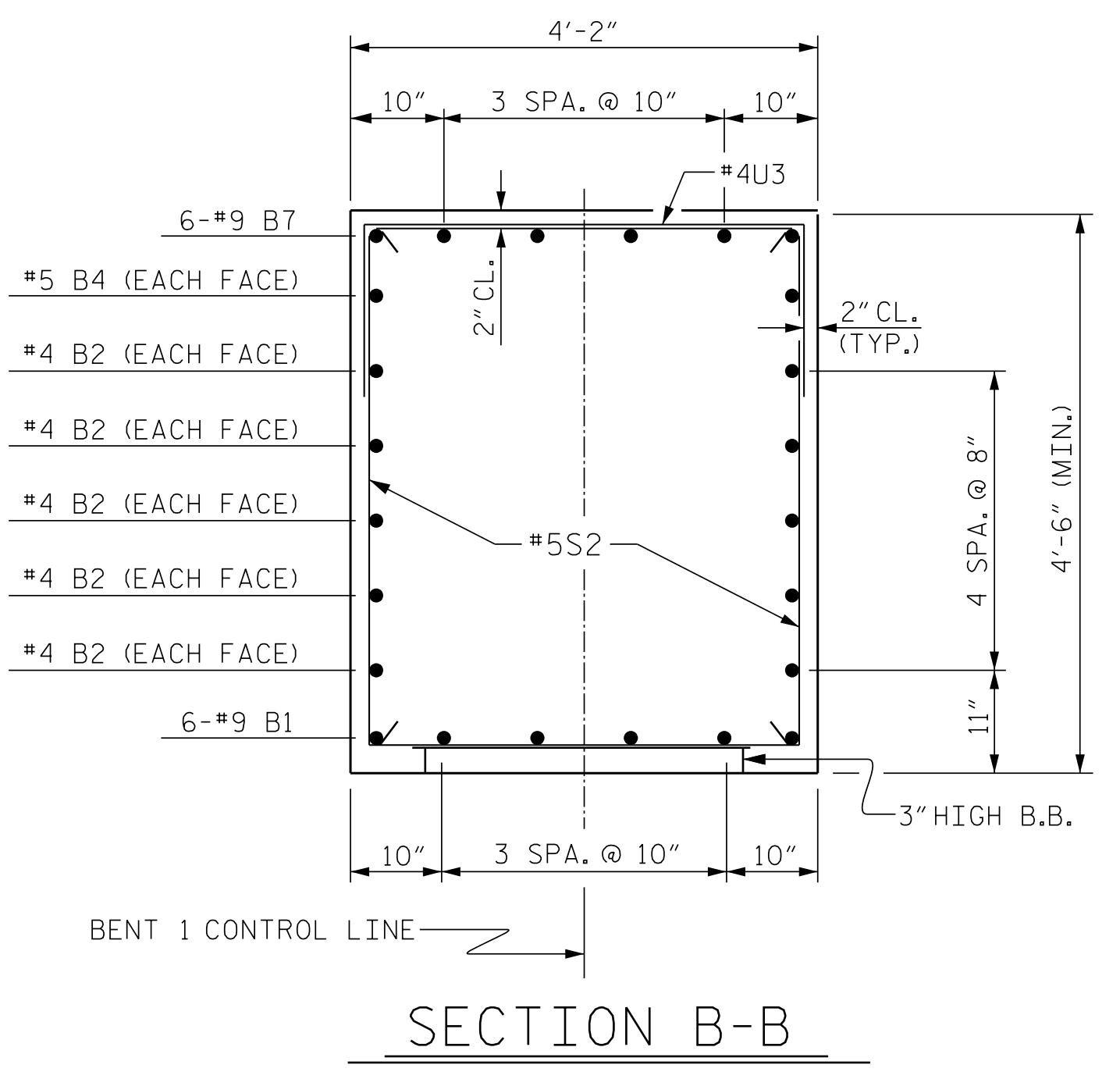
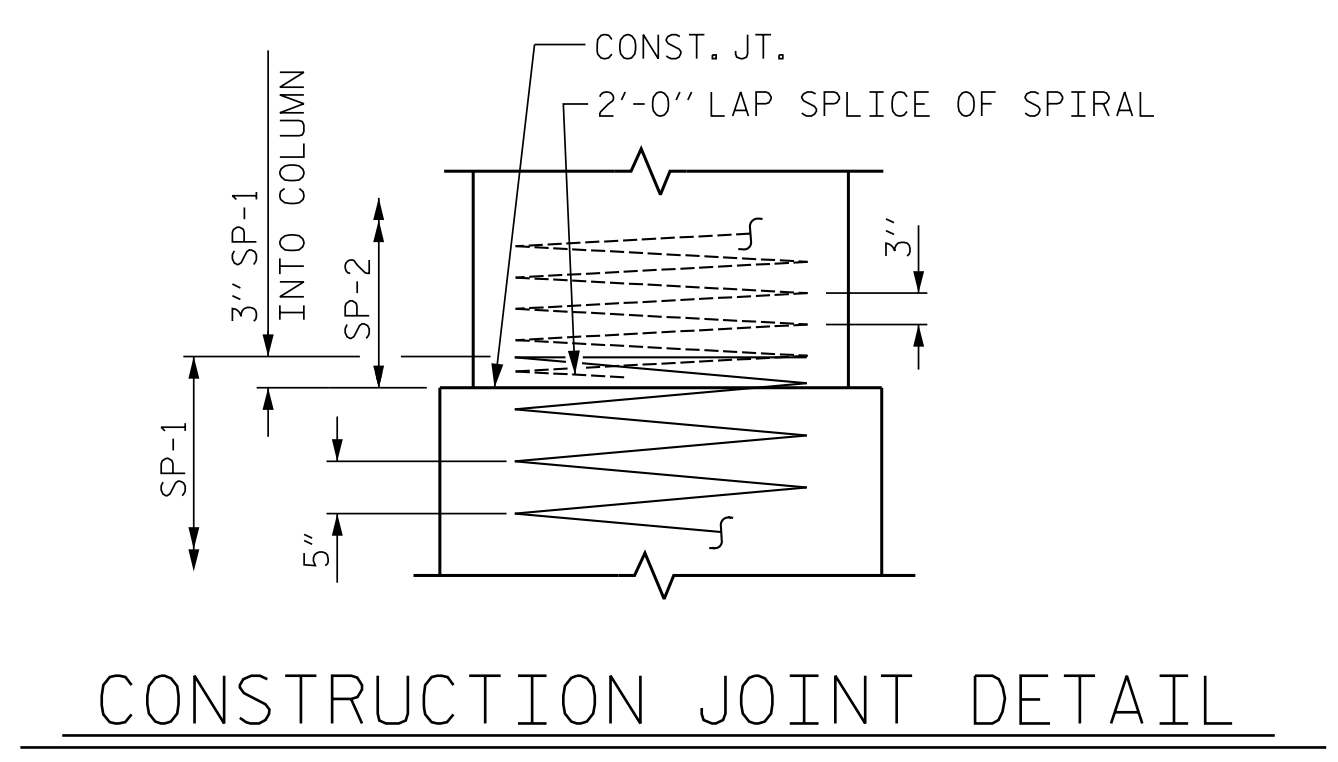
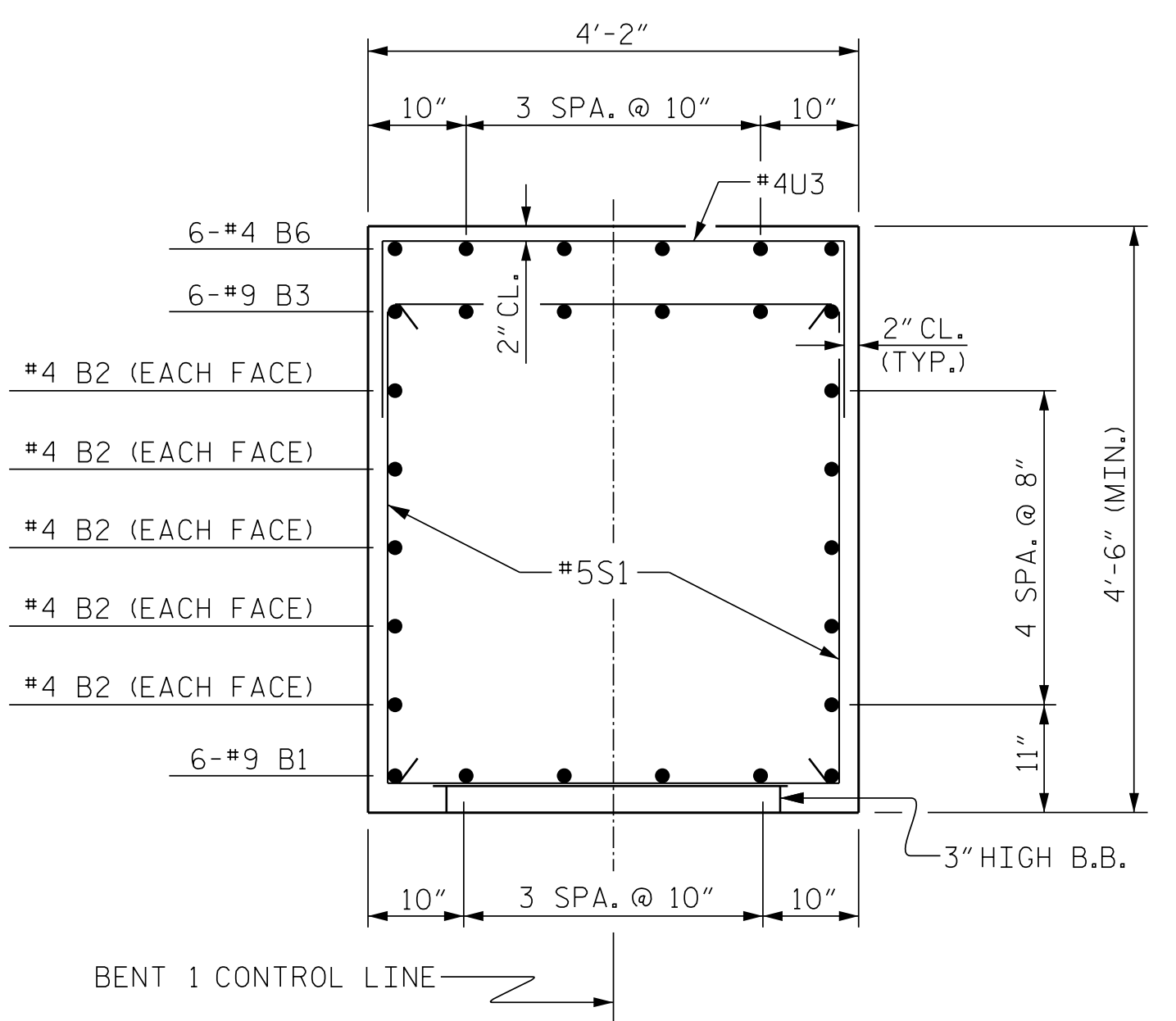
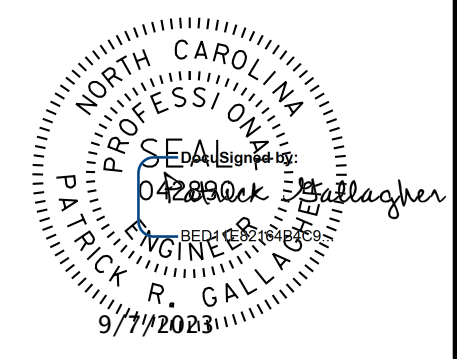


BILL OF MATERIAL					
BENT NO. 1					
BAR	NO.	SIZE	TYPE	LENGTH	WEIGHT
B1	6	#9	STR	34'-6"	704
B2	10	#4	STR	34'-6"	230
B3	6	#9	1	29'-4"	598
B4	2	#4	STR	8'-10"	12
B5	2	#4	STR	3'-10"	5
B6	6	#4	STR	10'-6"	42
B7	6	#9	1	12'-11"	263
M1	96	#11	STR	44'-1"	22,995
S1	27	#5	2	13'-0"	366
S2	19	#5	2	14'-5"	286
U1	5	#4	3	7'-1"	24
U2	5	#4	3	8'-0"	27
U3	47	#4	3	6'-10"	215
V1	48	#9	1	18'-7"	3033
REINFORCING STEEL				28,800	LBS.
SP-1	3	**	4	1857'-3"	5811
SP-2	3	*	5	638'-4"	1279
SPIRAL COLUMN REINFORCING STEEL				7,090	LBS.
** THE SP-1 SPIRAL REINFORCING STEEL SHALL BE W31 OR D-31 COLD DRAWN WIRE OR #5 PLAIN OR DEFORMED BAR					
* THE SP-2 SPIRAL REINFORCING STEEL SHALL BE W20 OR D-20 COLD DRAWN WIRE OR #4 PLAIN OR DEFORMED BAR					
CLASS A CONCRETE BREAKDOWN					
POUR #2 (COLUMNS)				16.7	C.Y.
POUR #3 (CAP)				26.7	C.Y.
TOTAL CLASS A CONCRETE				43.3	C.Y.
DRILLED PIERS:					
DRILLED PIER CONCRETE					
POUR #1 (DRILLED PIERS)				109.6	C.Y.



PROJECT NO. B-4926
 LENOIR COUNTY
 STATION: 25+45.00 -L-
 SHEET 2 OF 2



STATE OF NORTH CAROLINA
 DEPARTMENT OF TRANSPORTATION
 RALEIGH
 SUBSTRUCTURE
 BENT NO. 1

DOCUMENT NOT CONSIDERED FINAL
 UNLESS ALL SIGNATURES COMPLETED

JMT Johnson, Mirmiran, & Thompson Inc.
 4700 Falls of Neuse Rd, Suite 100,
 Raleigh, NC, 27609
 License No: C-3097

REVISIONS						SHEET NO.
NO.	BY:	DATE:	NO.	BY:	DATE:	S1-35
1			3			TOTAL SHEETS
2			4			49

W:\CADD\Structures\031717-01 - B-4926 Lenoir_20 & 3A Structures\Lenoir_20\Drawings\089_B4926_SML_B102_035.dgn
 DATE: 03/23 PM on Wednesday, September 06, 2023
 TIME: 01:33

DWN. BY: WDC DATE: 03/2023
 CHKD. BY: PRG DATE: 03/2023
 DES. EGR. OF RECORD: PRG DATE: 03/2023