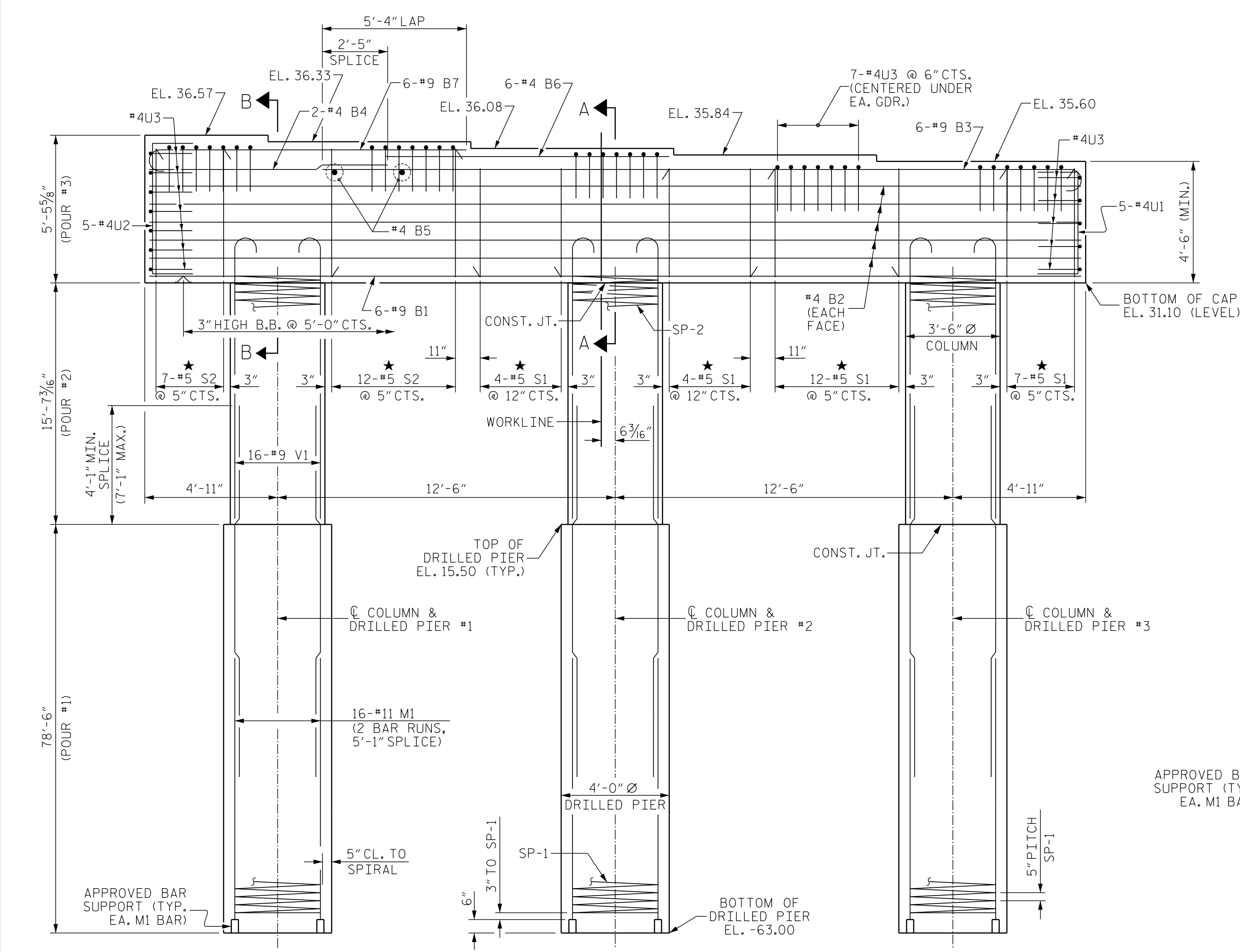


PLAN OF CAP

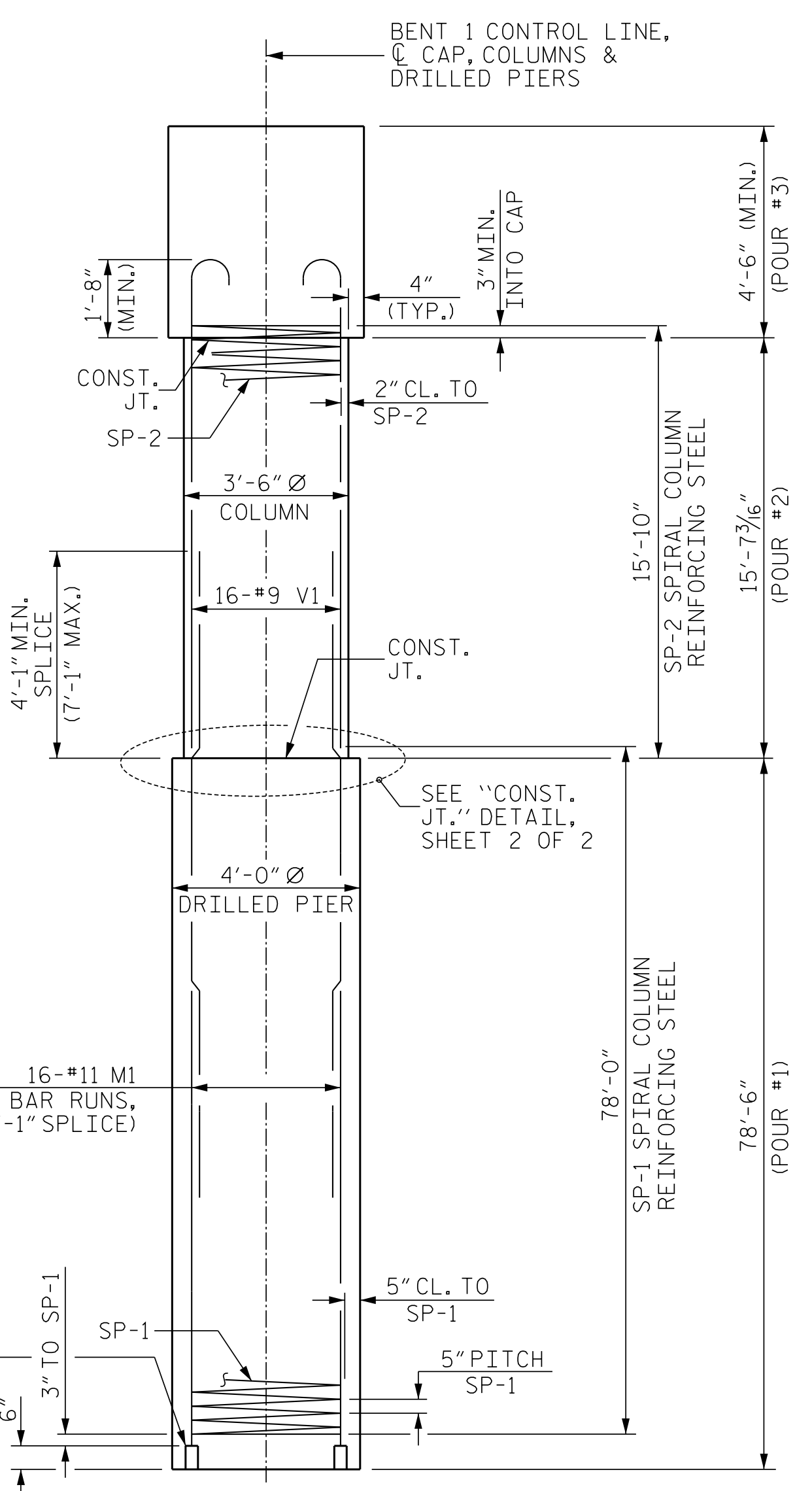
SPAN B

SPAN A



ELEVATION

REINFORCING STEEL, DIMENSIONS AND DETAILS ARE TYPICAL FOR EACH COLUMN AND DRILLED PIER

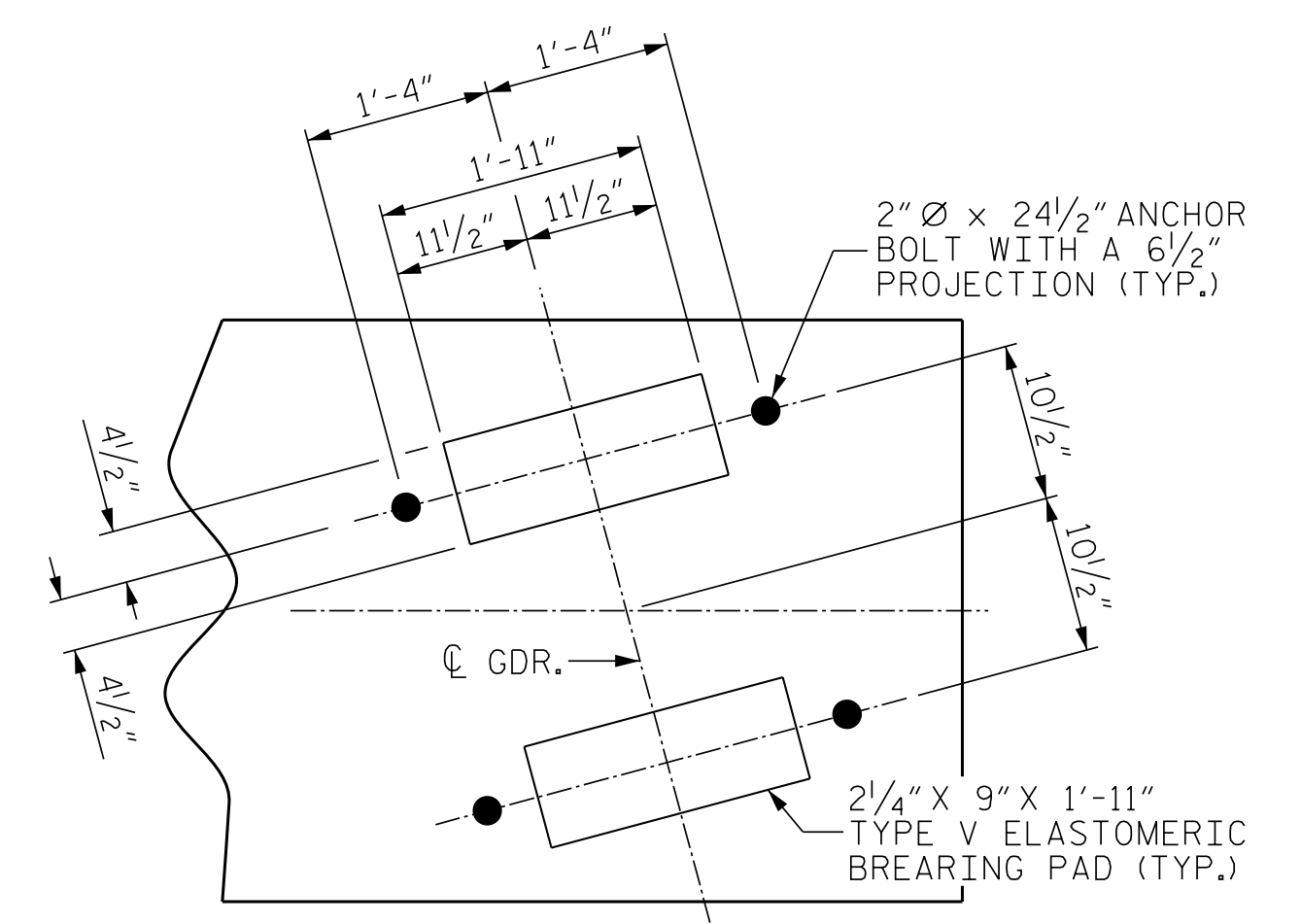


END ELEVATION

REINFORCING STEEL, DIMENSIONS AND DETAILS ARE TYPICAL FOR EACH COLUMN AND DRILLED PIER

NOTES

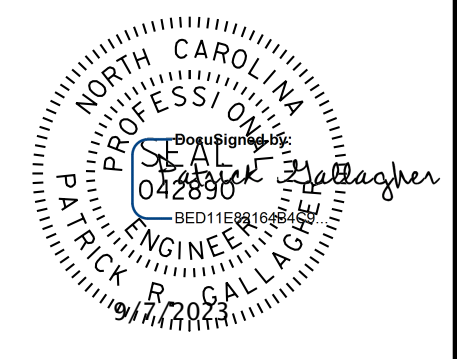
- STIRRUPS IN CAP MAY BE SHIFTED AS NECESSARY TO CLEAR ANCHOR BOLTS.
- HOOKS ON "V" BARS MAY BE TURNED AS NECESSARY FOR PLACING REINFORCING STEEL.
- FOR DRILLED PIERS, SEE SECTION 411 OF THE STANDARD SPECIFICATIONS.
- ALL STEEL IN THE DRILLED PIERS IS INCLUDED IN THE PAY ITEMS FOR "REINFORCING STEEL" AND "SPIRAL COLUMN REINFORCING STEEL."
- ★ INVERT ALTERNATE STIRRUPS.
- THE CONTRACTOR'S ATTENTION IS CALLED TO THE FACT THAT THE LONGITUDINAL REINFORCEMENT FOR DRILLED PIERS IS DETAILED WITH 3 FEET OF EXTRA LENGTH.
- SEE SHEET 2 OF 2 FOR SECTIONS A-A AND B-B.



DETAIL "A"

INFORMATION SHOWN IS TYPICAL FOR EACH BEARING

PROJECT NO. B-4926
LENOIR COUNTY
 STATION: 25+45.00 -L-
 SHEET 1 OF 2



STATE OF NORTH CAROLINA
 DEPARTMENT OF TRANSPORTATION
 RALEIGH

SUBSTRUCTURE
 BENT NO. 1

**DOCUMENT NOT CONSIDERED FINAL
 UNLESS ALL SIGNATURES COMPLETED**

JMT Johnson, Mirmiran, & Thompson, Inc.
 4700 Falls of Neuse Rd, Suite 100,
 Raleigh, NC, 27609
 License No: C-3097

REVISIONS						SHEET NO.
NO.	BY:	DATE:	NO.	BY:	DATE:	S1-34
1			3			TOTAL SHEETS
2			4			49

WDC/DPX: Y:\VC\Structures\0317-01 - B-4926 Lenoir_20 & 3A\Structures\Lenoir_20\Drawings\067_B4926-SUB-BENT_0314.dgn
 DATE: 03/23 PM on Wednesday, September 06, 2023

DWN. BY: WDC DATE: 03/2023
 CHKD. BY: PRG DATE: 03/2023
 DES. EGR. OF RECORD: PRG DATE: 03/2023