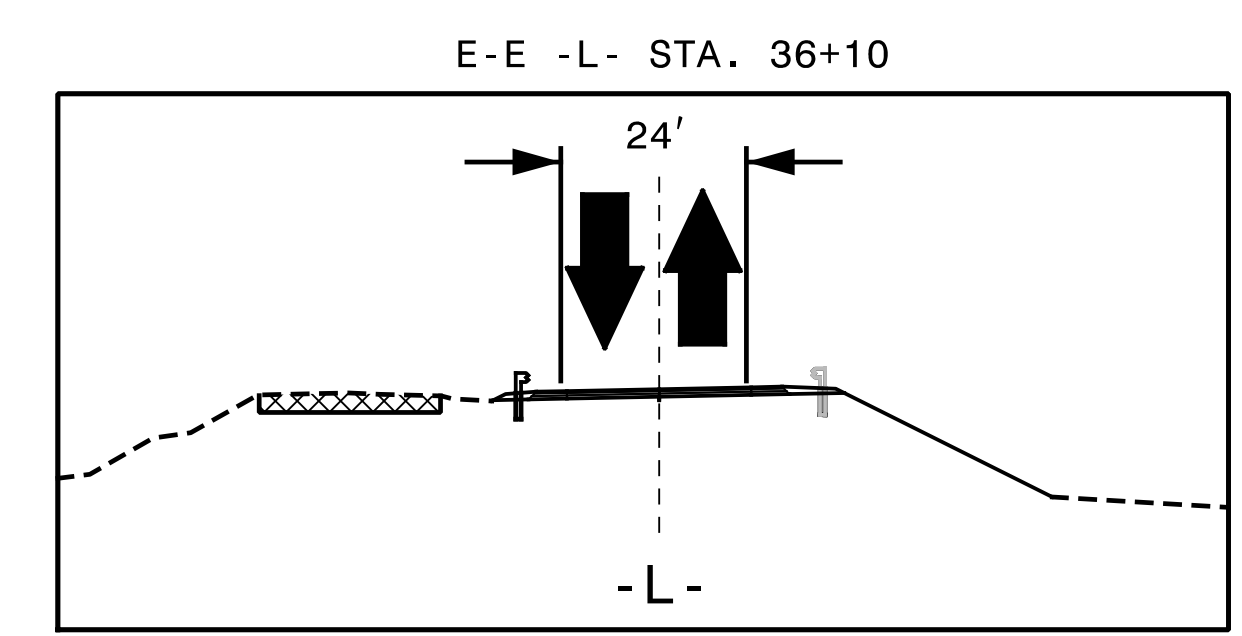
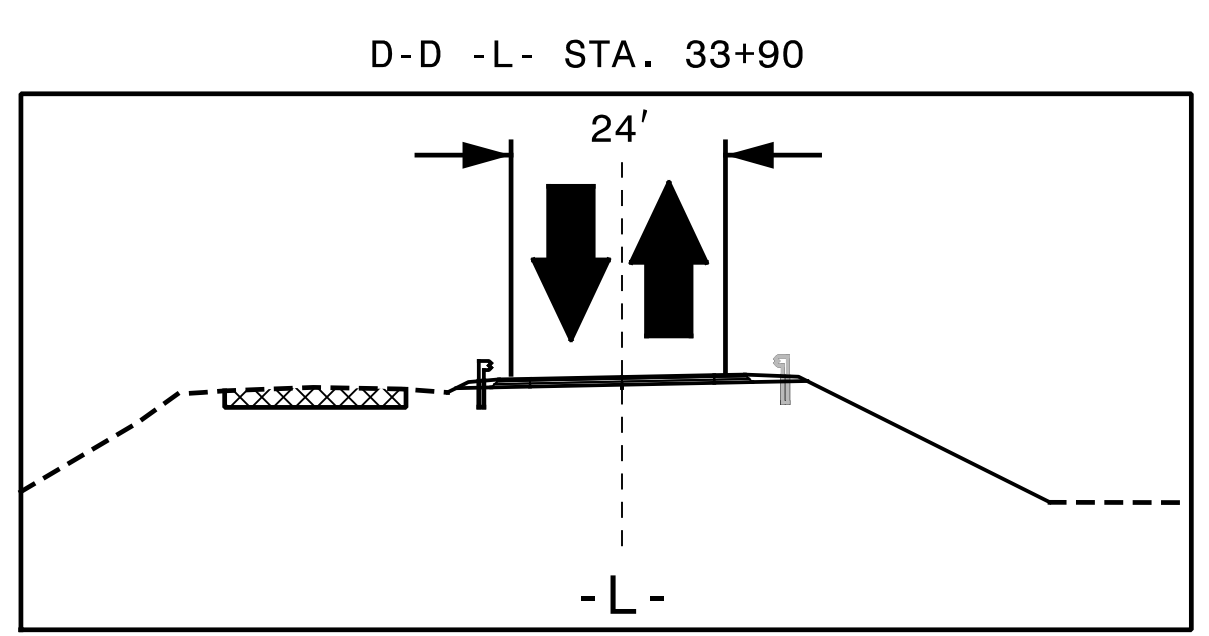


MATCHLINE -L- STA. 29+00.00
SEE TMP-6

END TIP PROJECT B-4926
-L- STA. 43+00.00



4/4/2004
C:\08\SEB\05.00.B-4926.TP\Traffic\TMPAB-4926.TMP-7.dgn
dbourdin

TRANSYSTEMS
1 Glenwood Avenue
Raleigh, NC 27603
Tel: 919.789.9977
Fax: 919.789.9591
License: F-0453

APPROVED: Steve Miller
DATE: _____
SEAL
NORTH CAROLINA
PROFESSIONAL
ENGINEER
037026
STEVEN D. MILLER



PHASE II

**DOCUMENT NOT CONSIDERED FINAL
UNLESS ALL SIGNATURES COMPLETED**