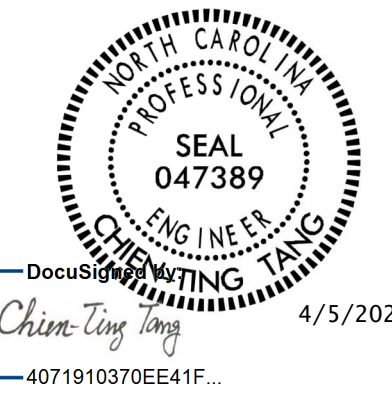
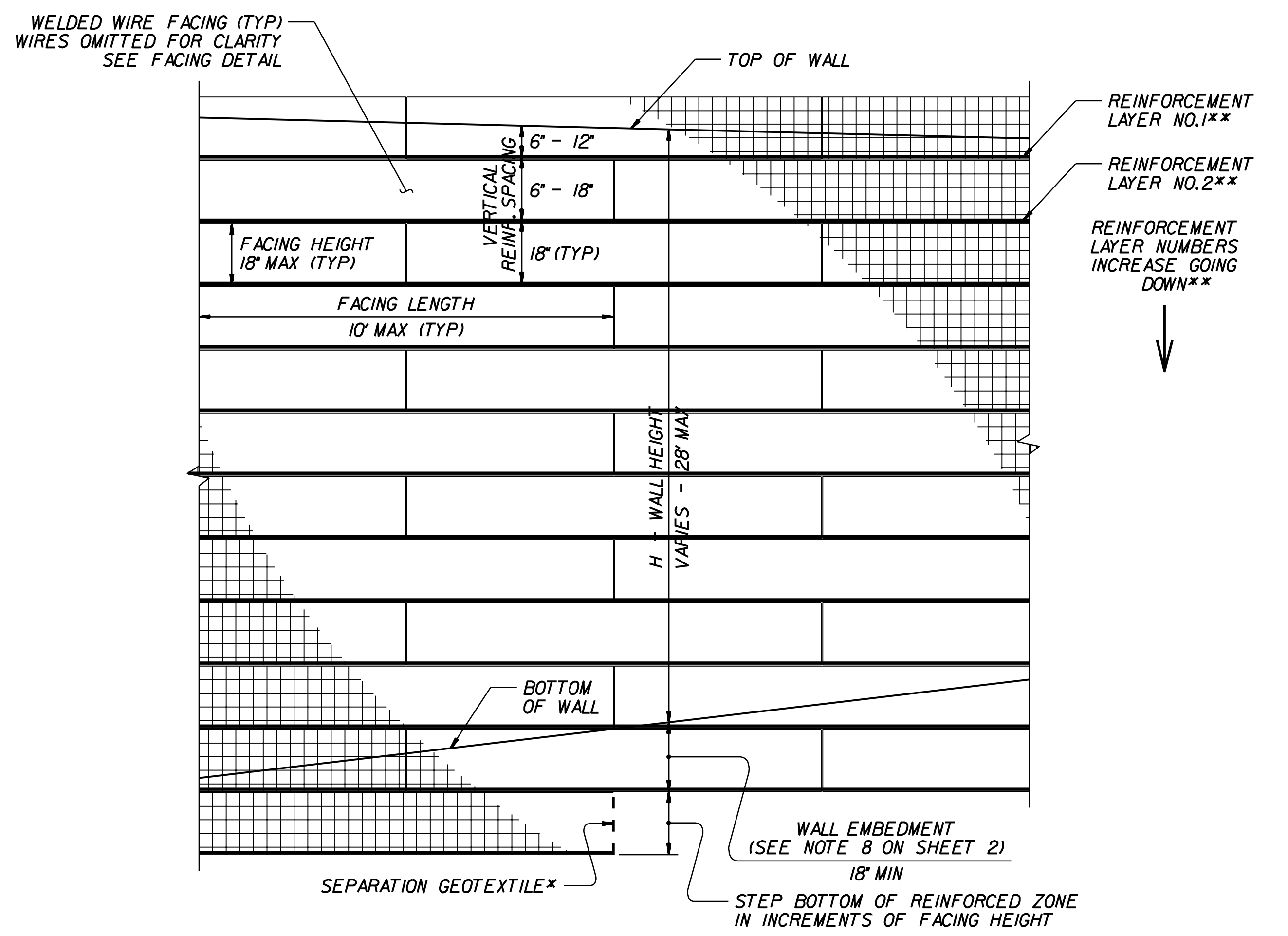
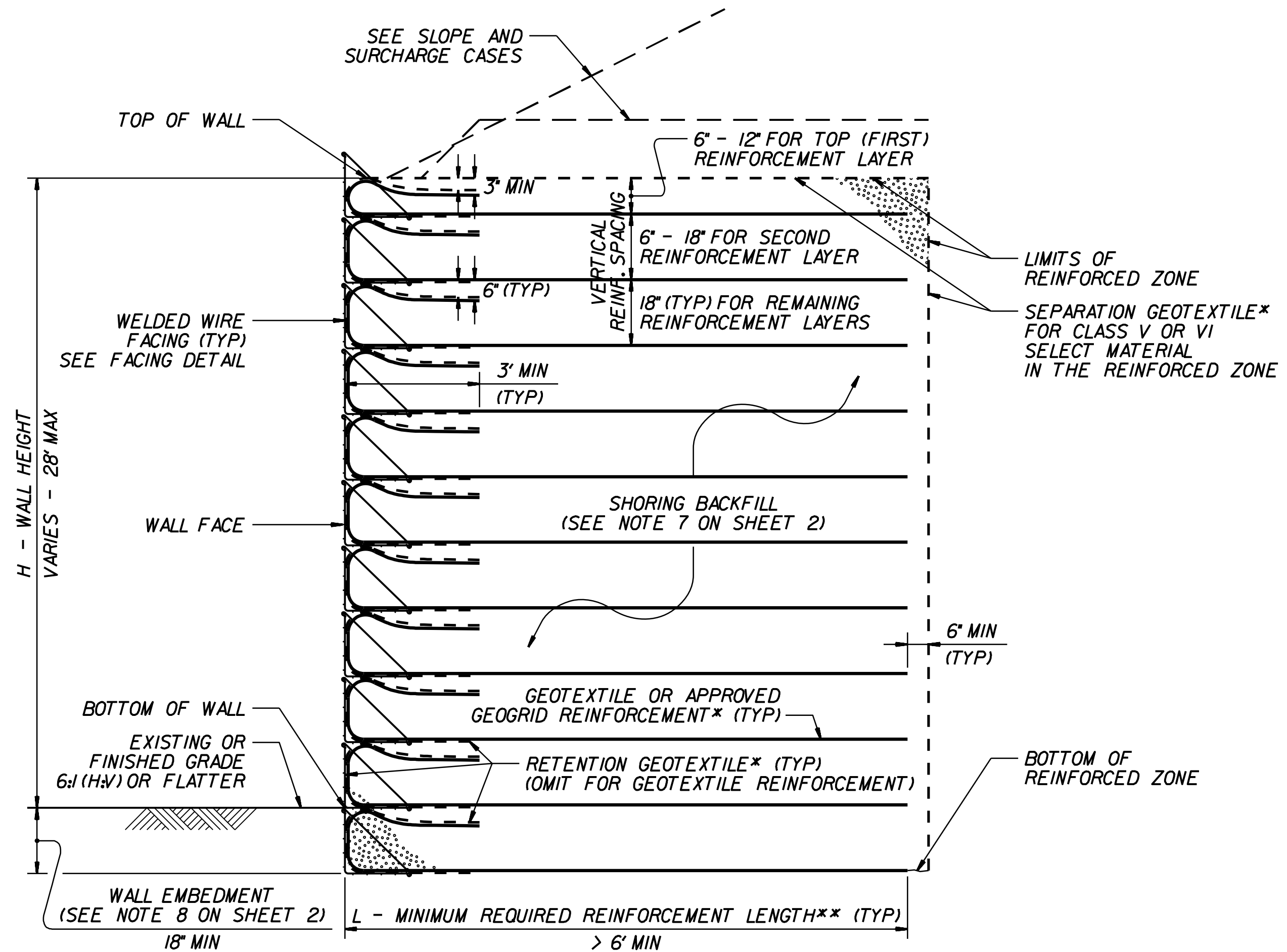
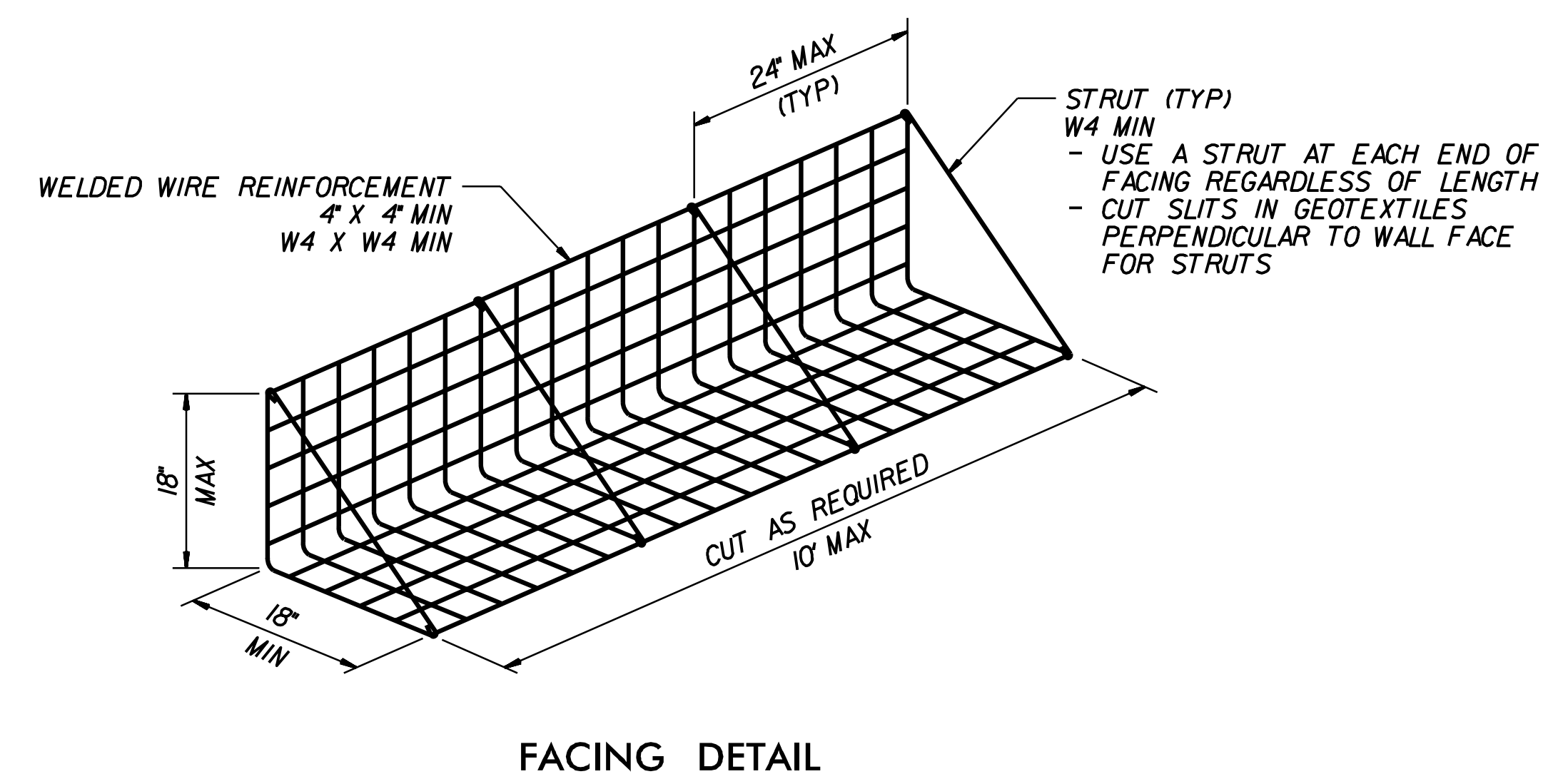
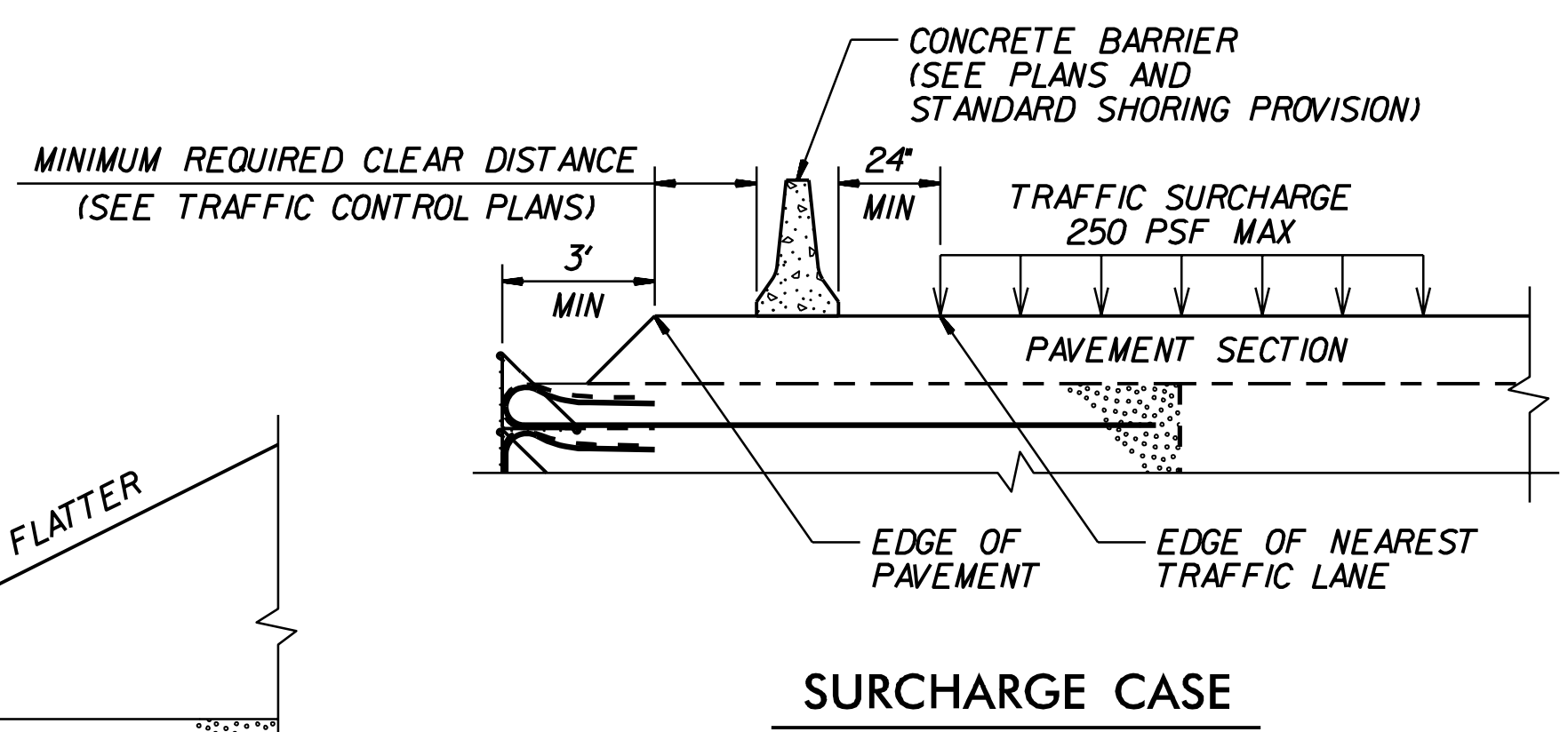
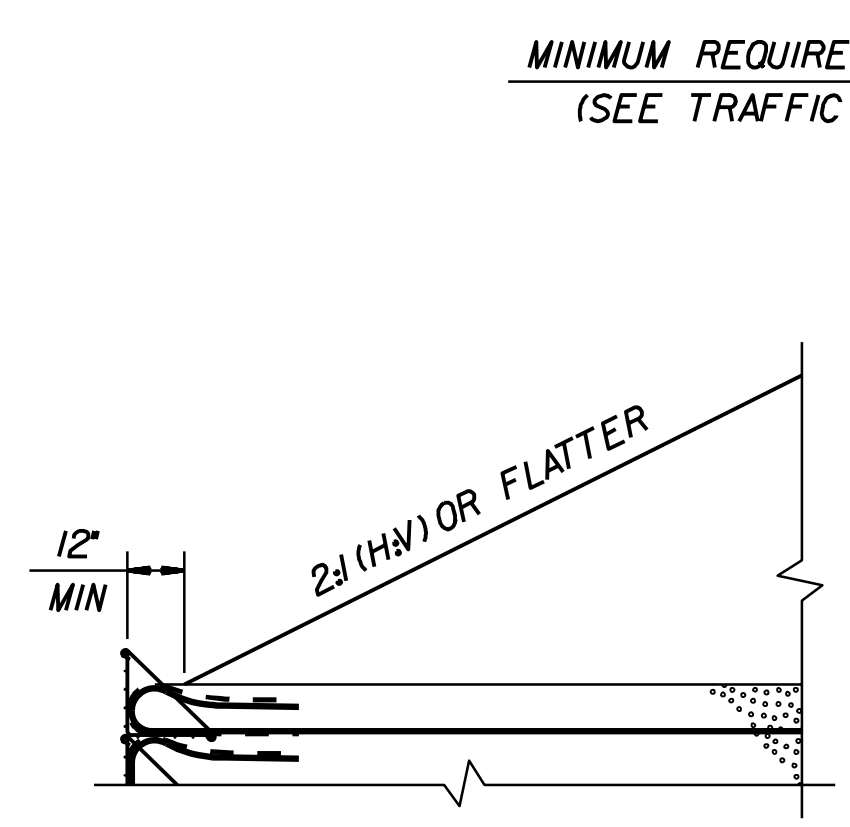
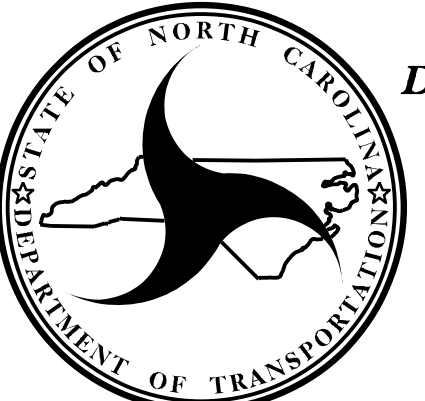


PROJECT REFERENCE NO. B-4926	SHEET NO. 2G-2
GEOTECHNICAL ENGINEER  CHINE TONG 4071910370EE41F... SIGNATURE DATE	ENGINEER SIGNATURE DATE
DOCUMENT NOT CONSIDERED FINAL UNLESS ALL SIGNATURES COMPLETED	



STANDARD TEMPORARY WALL
 (FOR STANDARD TEMPORARY WALLS ON STRUCTURES, SEE TEMPORARY WALL ON STRUCTURE DETAIL ON SHEET 2.)
 *SEE GEOSYNTHETIC PLACEMENT DETAILS ON SHEET 2.
 **SEE REINFORCEMENT TABLES ON SHEET 3.

STANDARD TEMPORARY WALL - PARTIAL ELEVATION
 *SEE GEOSYNTHETIC PLACEMENT DETAILS ON SHEET 2.
 **SEE REINFORCEMENT TABLES ON SHEET 3.

 NORTH CAROLINA DEPARTMENT OF TRANSPORTATION DIVISION OF HIGHWAYS GEOTECHNICAL ENGINEERING UNIT	STANDARD DETAIL NO. 1801.02
	STANDARD TEMPORARY WALL SHEET 1 OF 3 DATE: 11-19-13