

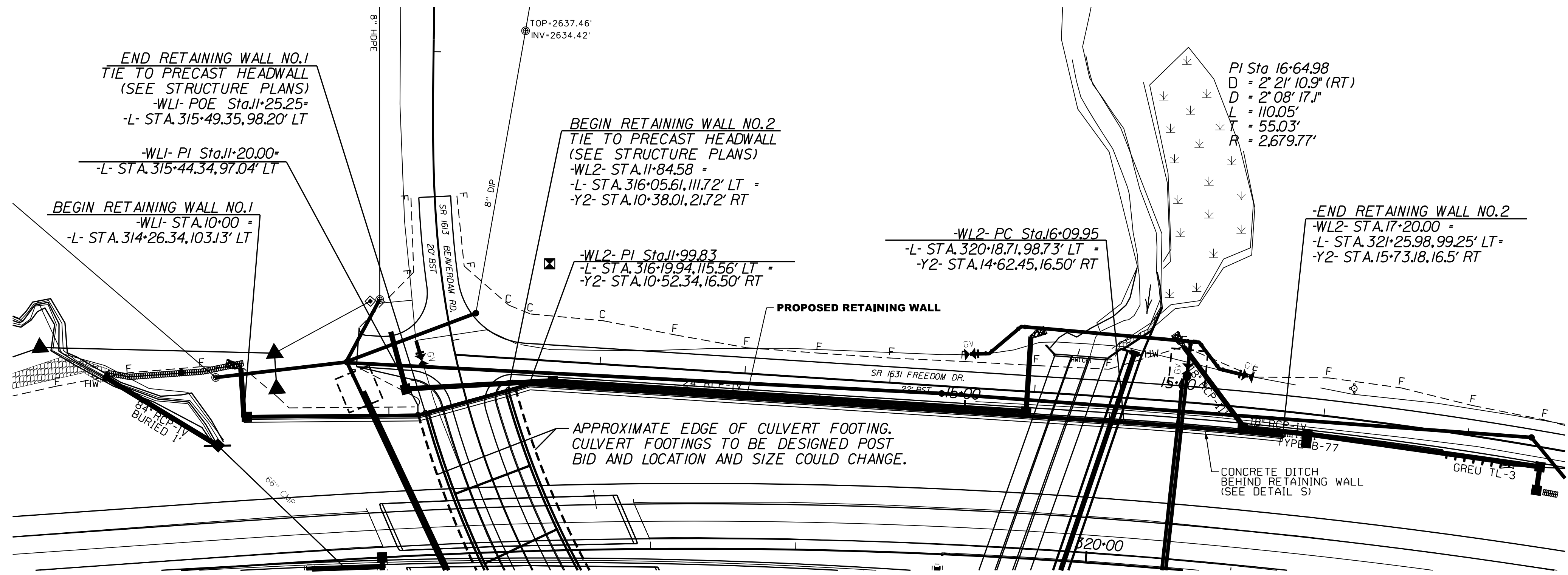
GEOTECHNICAL ENGINEER

ENGINEER

SEAL
028893
NORTH CAROLINA PROFESSIONAL ENGINEER
MICHAEL H. STEPHENS

DocuSigned by:
M.H.S.
12/11/2023

DOCUMENT NOT CONSIDERED FINAL
UNLESS ALL SIGNATURES COMPLETED

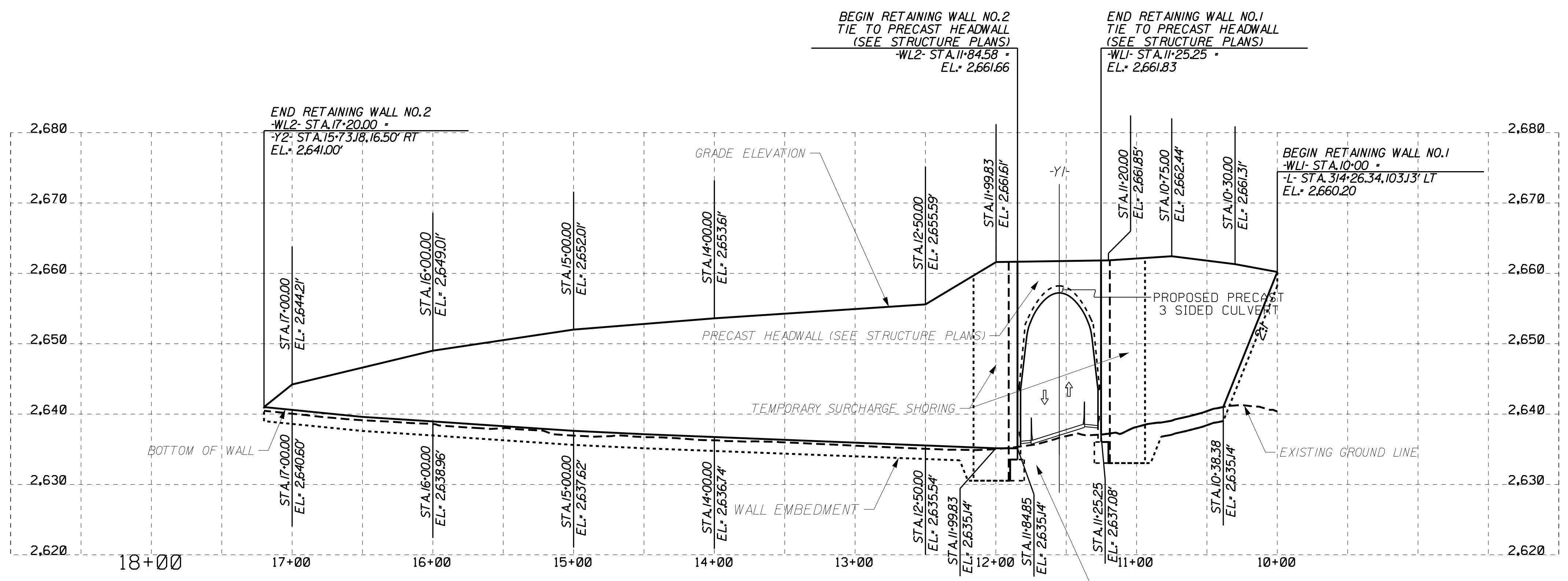


**RETAINING WALL NOS. 1 & 2
PLAN VIEWS**

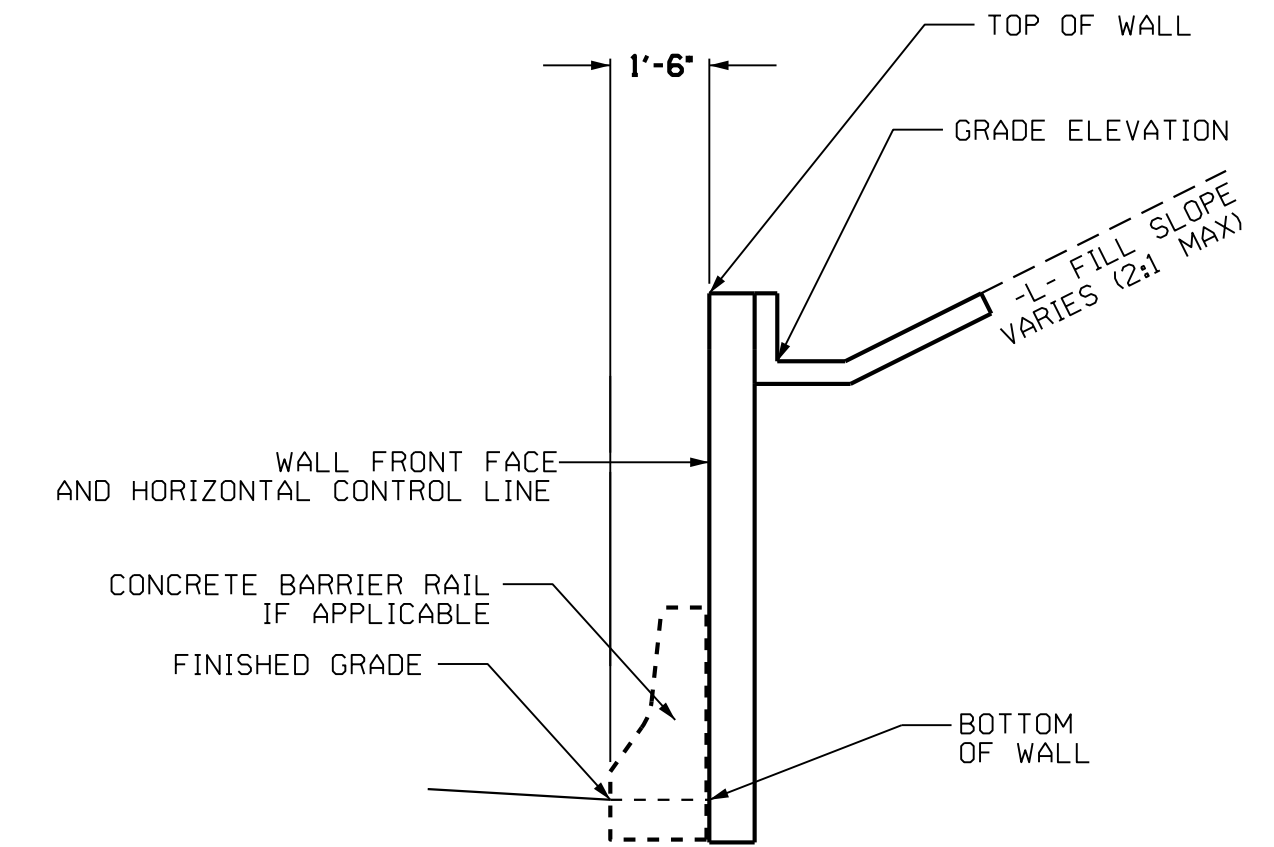
ESTIMATED MSE
WALL QUANTITIES
(SQUARE FEET)

MSE RETAINING WALL NO.1	2,750 SF
MSE RETAINING WALL NO.2	9,005 SF

* WALL AREA IS MEASURED USING THE DESIGN HEIGHT 'H'



**RETAINING WALL NOS. 1 & 2
ENVELOPE**



**RETAINING WALLS NOS. 1 AND 2
WALL DETAIL**

PROJECT NO.: 55041.1.1 (HB-0002)
HAYWOOD COUNTY
STATION: SEE ENVELOPE
SHEET 1 OF 4

PREPARED BY: MHS DATE: 12/23
REVIEWED BY: SCC DATE: 12/23

NORTH CAROLINA
DEPARTMENT OF TRANSPORTATION
DIVISION OF HIGHWAYS

GEOTECHNICAL
ENGINEERING UNIT

RETAINING WALL
NOS. 1 AND 2

REVISIONS						SHEET NO. W-1
NO.	BY	DATE	NO.	BY	DATE	
1			3			
2			4			