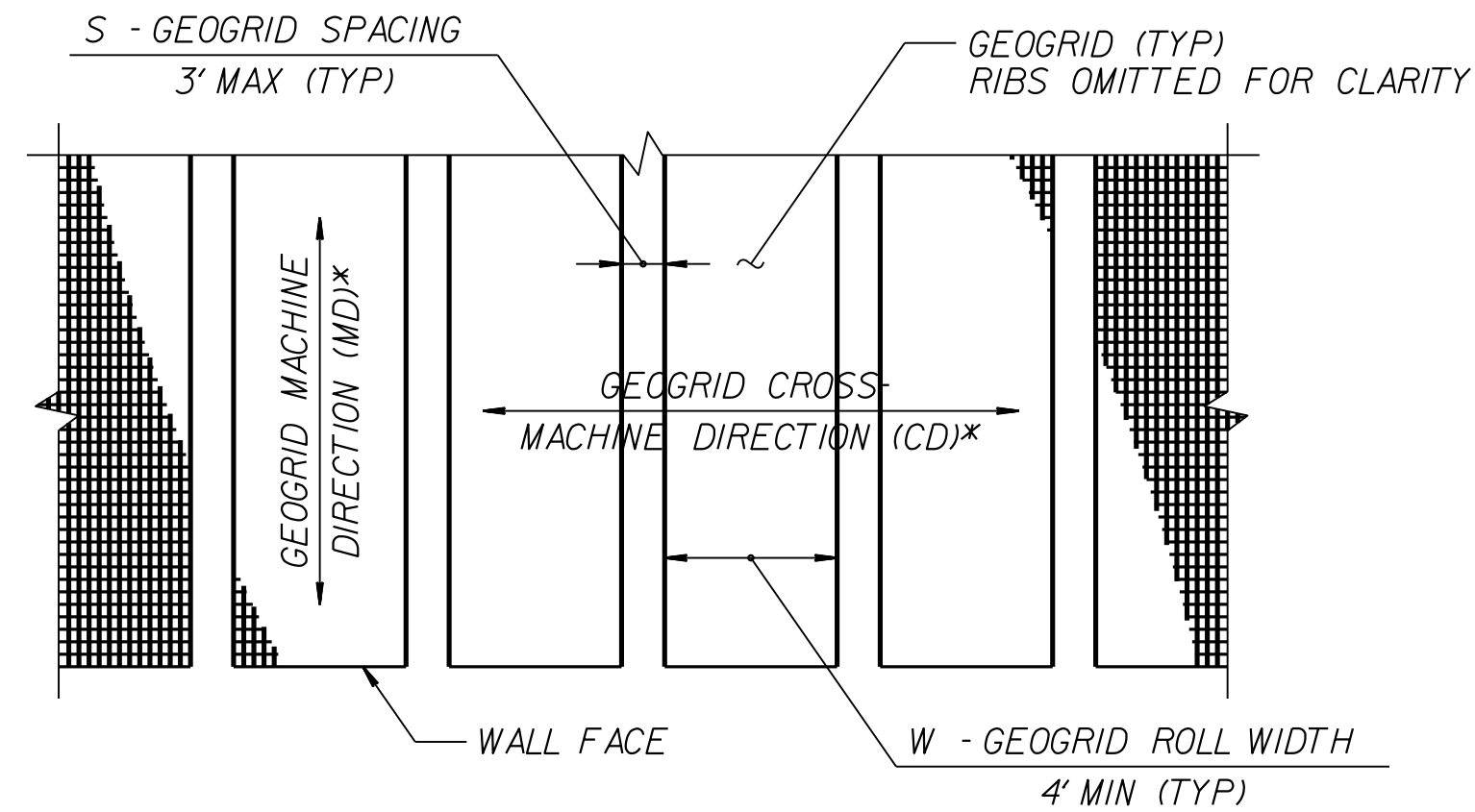
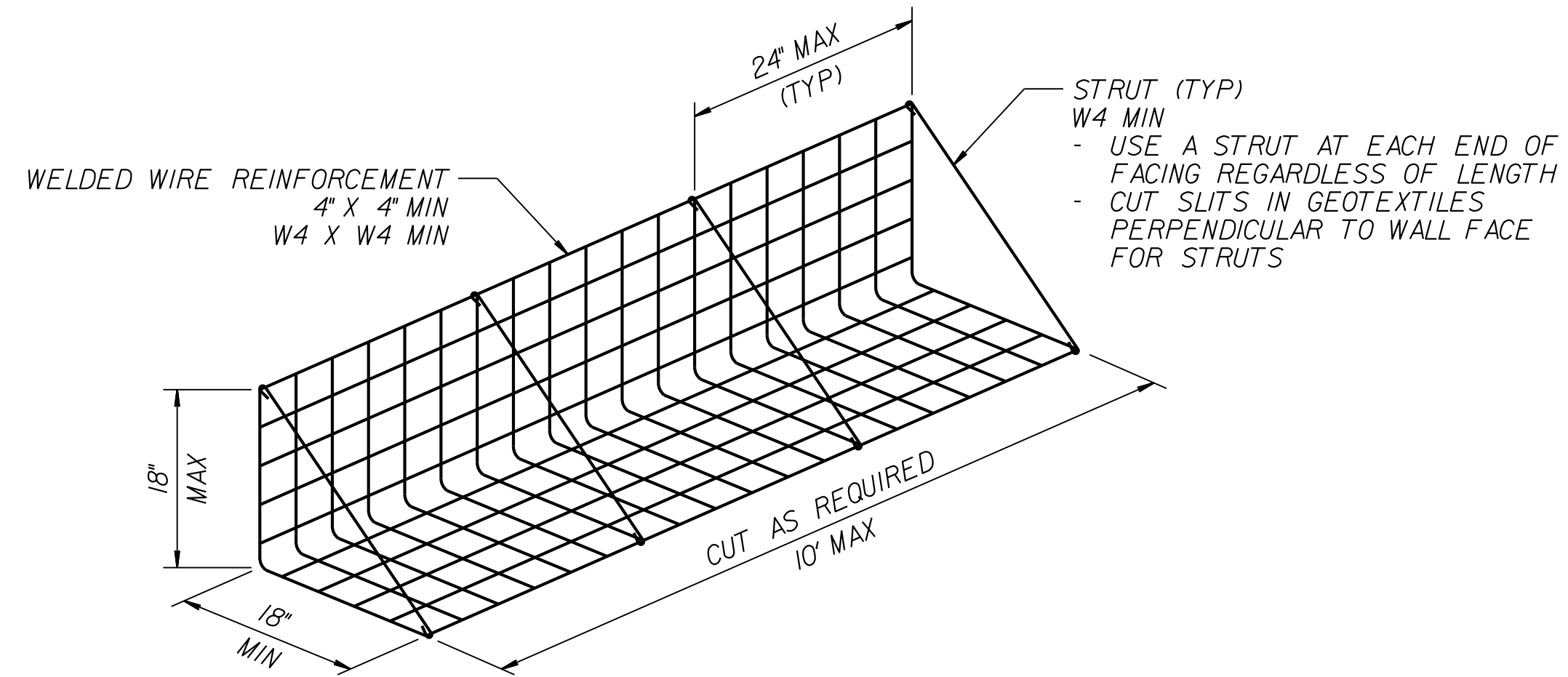


GEOTEXTILE PLACEMENT
 (100% COVERAGE MIN FOR GEOTEXTILE REINFORCEMENT)



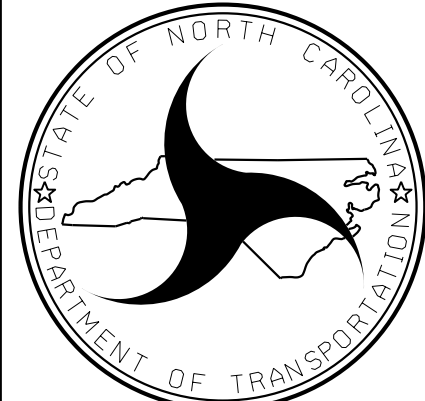
GEOGRID PLACEMENT
 (80% COVERAGE MIN FOR GEOGRID REINFORCEMENT -
 $\frac{W}{W+S} \times 100 \geq 80\%$,
 SEE NOTE 9)

GEOSYNTHETIC PLACEMENT DETAILS
 (PLAN VIEW)
 *SEE NOTE 10.



FACING DETAIL

PREPARED BY: MHS	DATE: 12/23
REVIEWED BY: SCC	DATE: 12/23



NORTH CAROLINA
 DEPARTMENT OF TRANSPORTATION
 DIVISION OF HIGHWAYS

GEOTECHNICAL
 ENGINEERING UNIT

SURCHARGE DETAILS

REVISIONS					
NO.	BY	DATE	ING.	BY	DATE
1	MHS	2/24	3		
2			4		