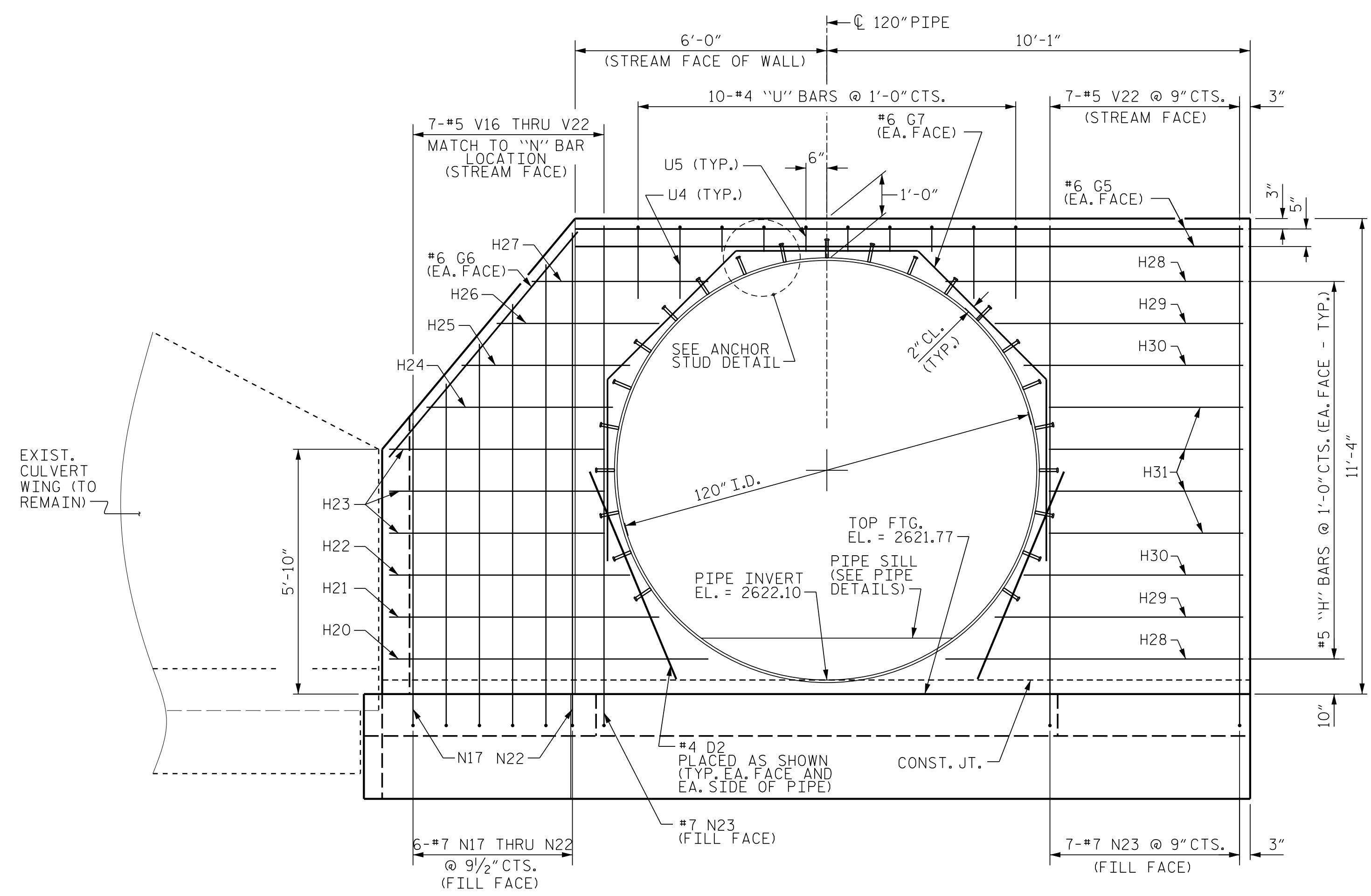


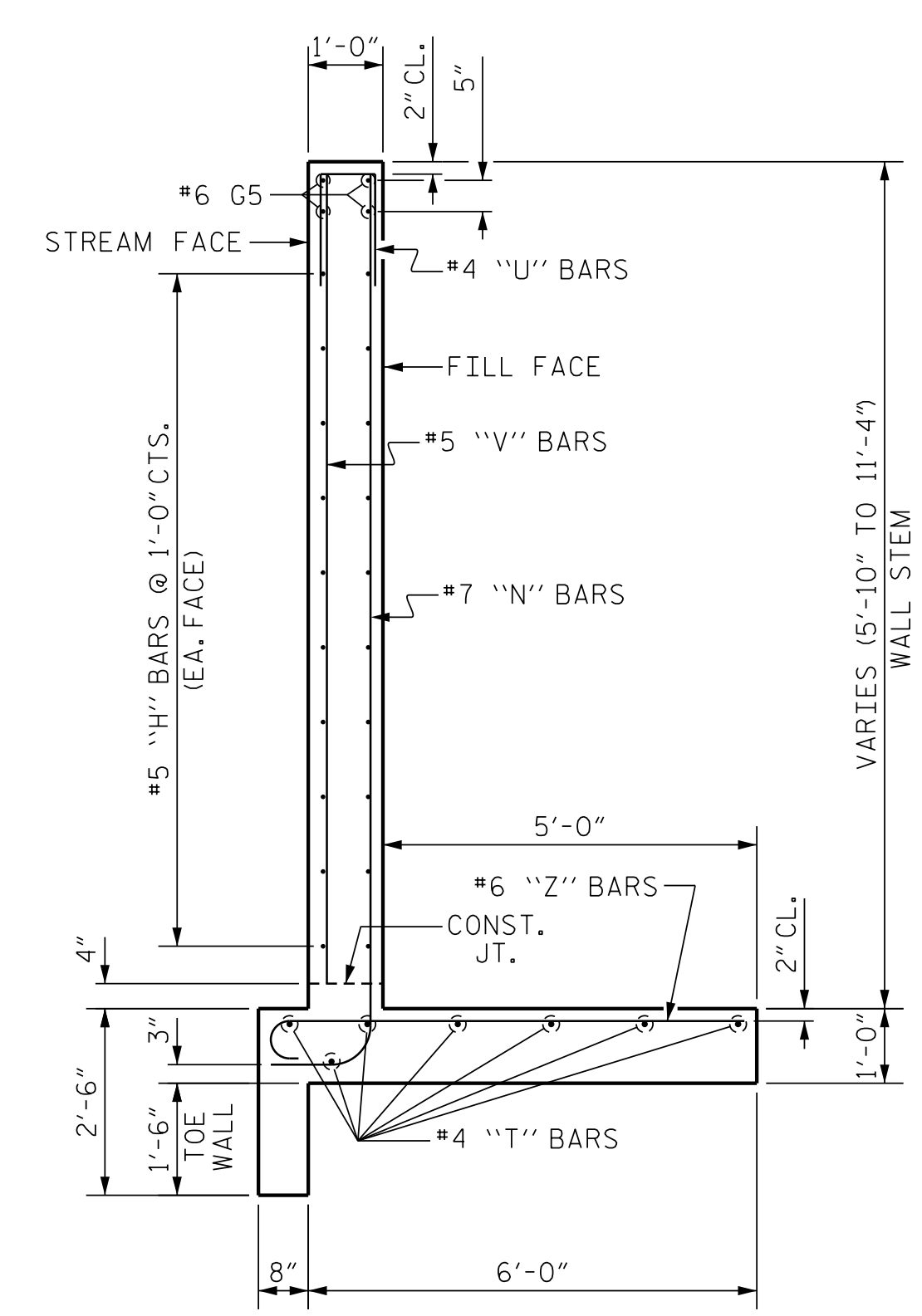
OUTLET HEADWALL PLAN

WALL STEM REINFORCING NOT SHOWN FOR CLARITY
 * SEE SECTION FOR LOCATION OF #4 T5, T6, AND T7 BARS FIELD BEND AS REQUIRED

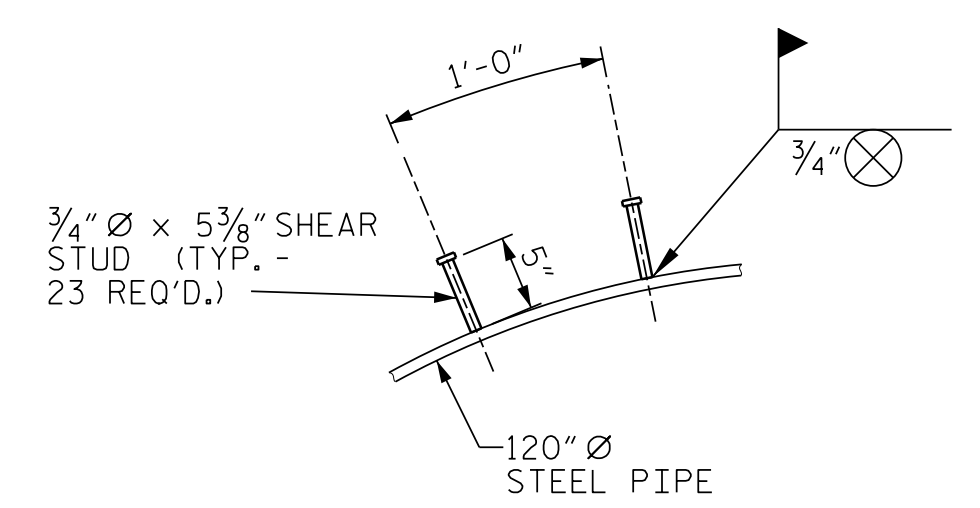


OUTLET HEADWALL ELEVATION

WALL FOOTING REINFORCING NOT SHOWN FOR CLARITY

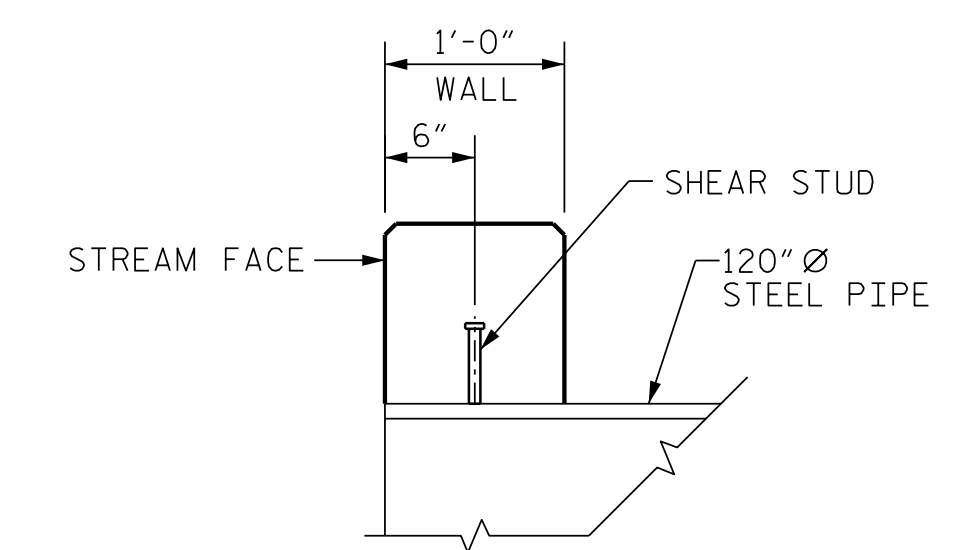


SECTION



ANCHOR STUD DETAIL

FIELD ATTACH SHEAR STUDS TO TOP TWO-THIRDS OF PIPE. LOCATE STUDS 6" FROM STREAM FACE OF WALL.



OUTLET DETAIL

NO BEVEL REQUIRED. PIPE SHOULD EXTEND TO STREAM FACE OF WALL.



DocuSigned by:
John T. Diffie III
 F98317F870FC460...
 3/7/2024

WETHERILL ENGINEERING
 1223 Jones Franklin Rd.
 Raleigh, N.C. 27606
 License No. F-0377
 Bus: 919 851 8077
 Fax: 919 851 8107

TRANSPORTATION PLANNING/DESIGN - BRIDGE/STRUCTURE DESIGN
 CIVIL/SITE DESIGN - GIS/GPS - CONSTRUCTION OBSERVATION

DOCUMENT NOT CONSIDERED FINAL UNLESS ALL SIGNATURES COMPLETED

HEADWALL FOR 120" DIAMETER PIPE (OUTLET END)

SHEET 4 OF 5

ORIGINAL BY: T. DIFFEE DATE: 11-23
 MODIFIED BY: DATE: _____
 CHECKED BY: J. DILWORTH DATE: 11-23
 FILE SPEC.: _____