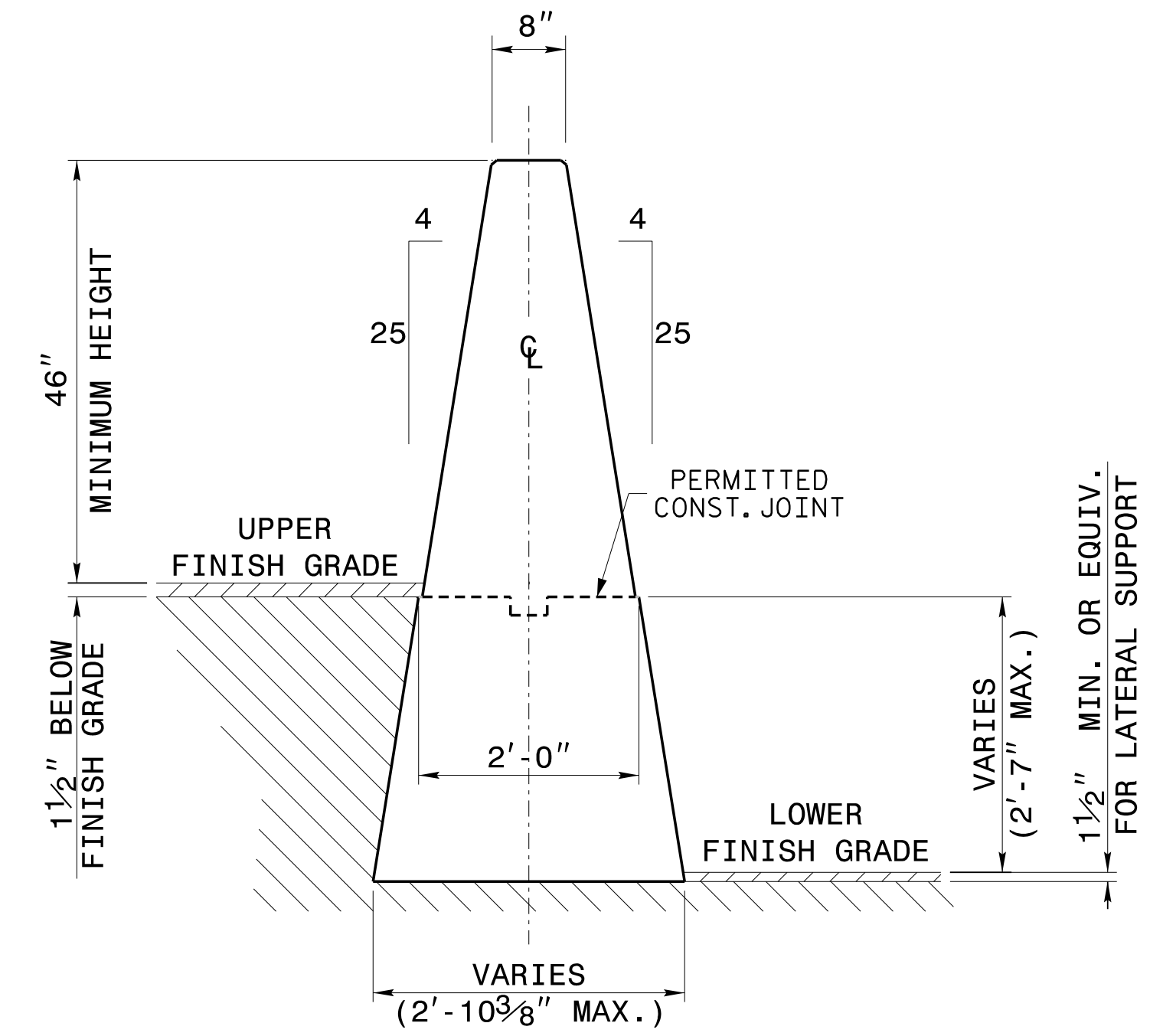
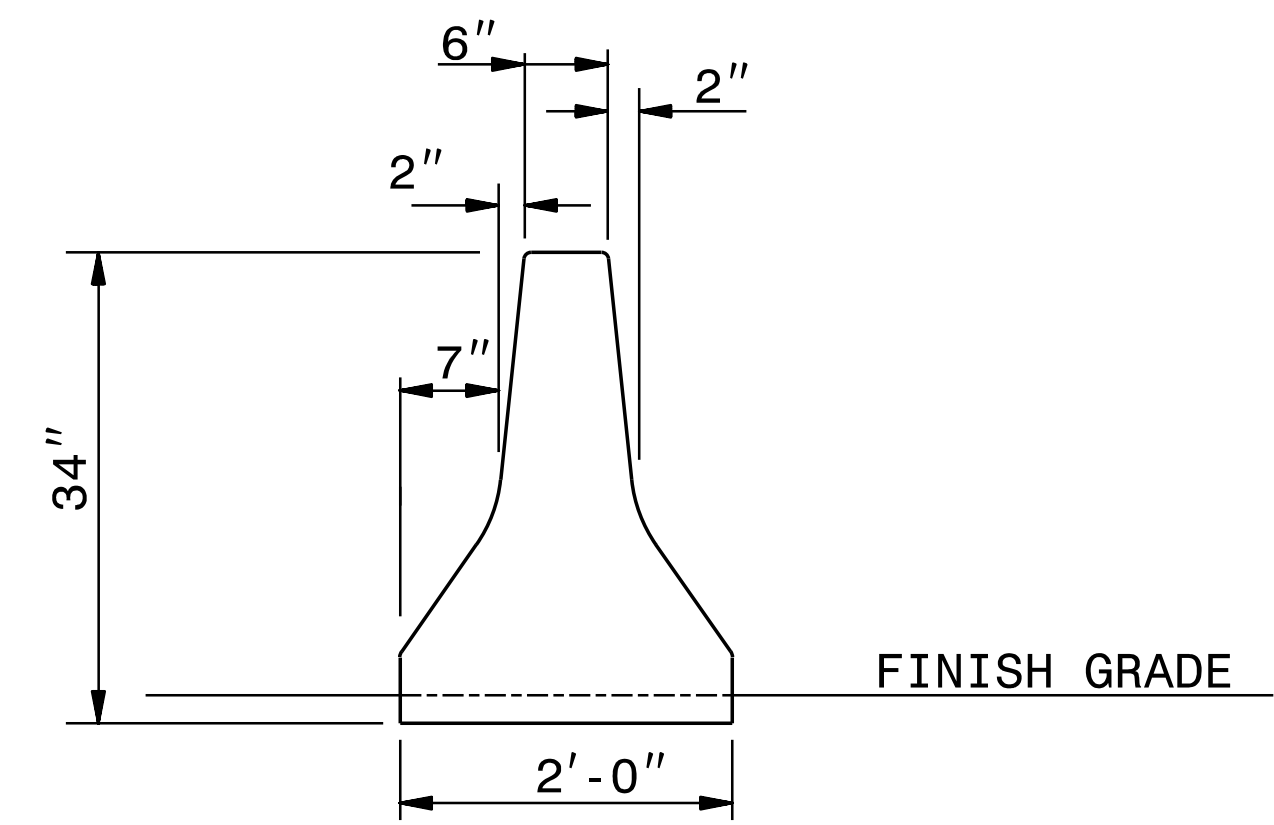



**TRANSITION FROM TYPE IV DOUBLE FACED CONCRETE BARRIER
TO SINGLE SLOPE CONCRETE BARRIER**



NOTES:
 SEE SPECIAL DETAILS PERTAINING TO SINGLE SLOPE BARRIERS FOR CONSTRUCTION METHODS AND STEEL PLACEMENT.
 SEE ROADWAY DETAILS AND ROADWAY STANDARD DRAWINGS FOR TYPE IV DOUBLE FACED CONCRETE BARRIER CONSTRUCTION METHODS AND STEEL PLACEMENT.
 DIMENSIONS OF TYPE IV DOUBLE FACED CONCRETE BARRIER ARE APPROXIMATE AND SHOULD BE FIELD VERIFIED.


 DocuSigned by:
 John Arthur Dilworth
 3/7/2024


 1223 Jones Franklin Rd.
 Raleigh, N.C. 27606
 License No. F-0377
 Bus: 919 851 8077
 Fax: 919 851 8107

TRANSPORTATION PLANNING/DESIGN - BRIDGE/STRUCTURE DESIGN
 CIVIL/SITE DESIGN - GIS/GPS - CONSTRUCTION OBSERVATION

DOCUMENT NOT CONSIDERED FINAL
 UNLESS ALL SIGNATURES COMPLETED

SINGLE SLOPE
 CONCRETE BARRIER
 TRANSITION

ORIGINAL BY: _____	DATE: _____
MODIFIED BY: _____	DATE: _____
CHECKED BY: _____	DATE: _____
FILE SPEC.: _____	