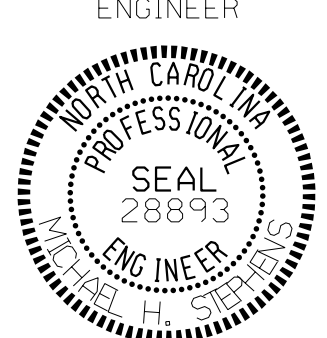
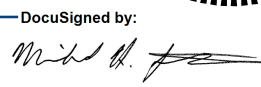
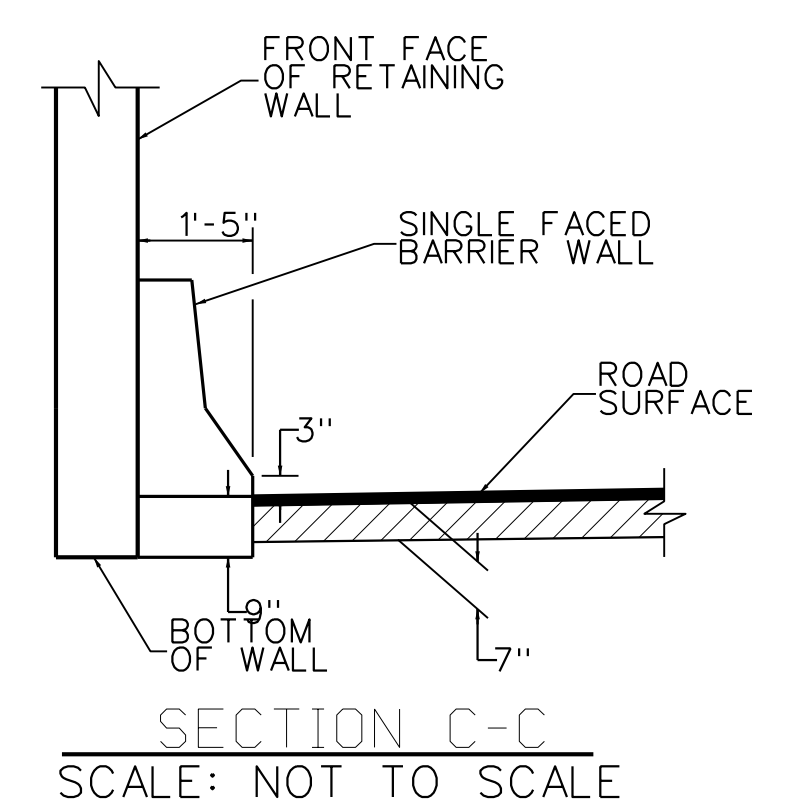
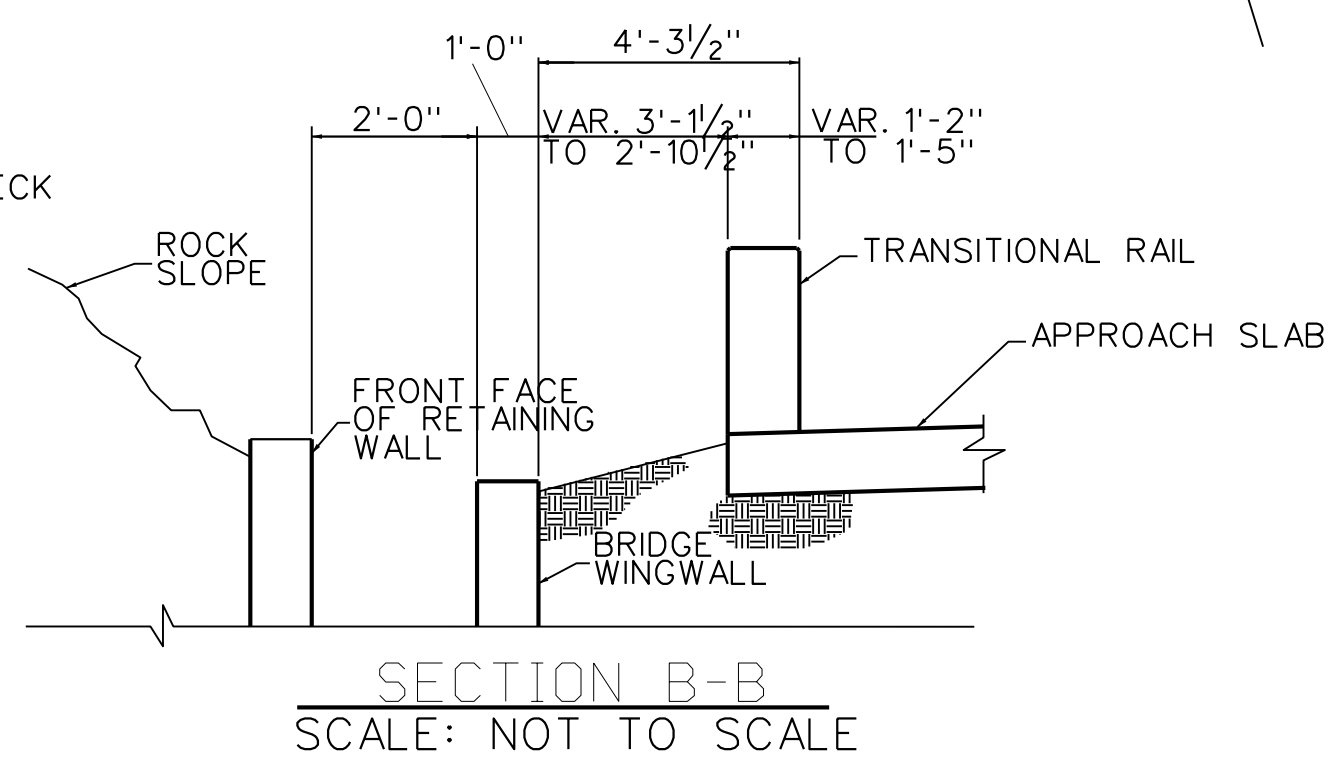
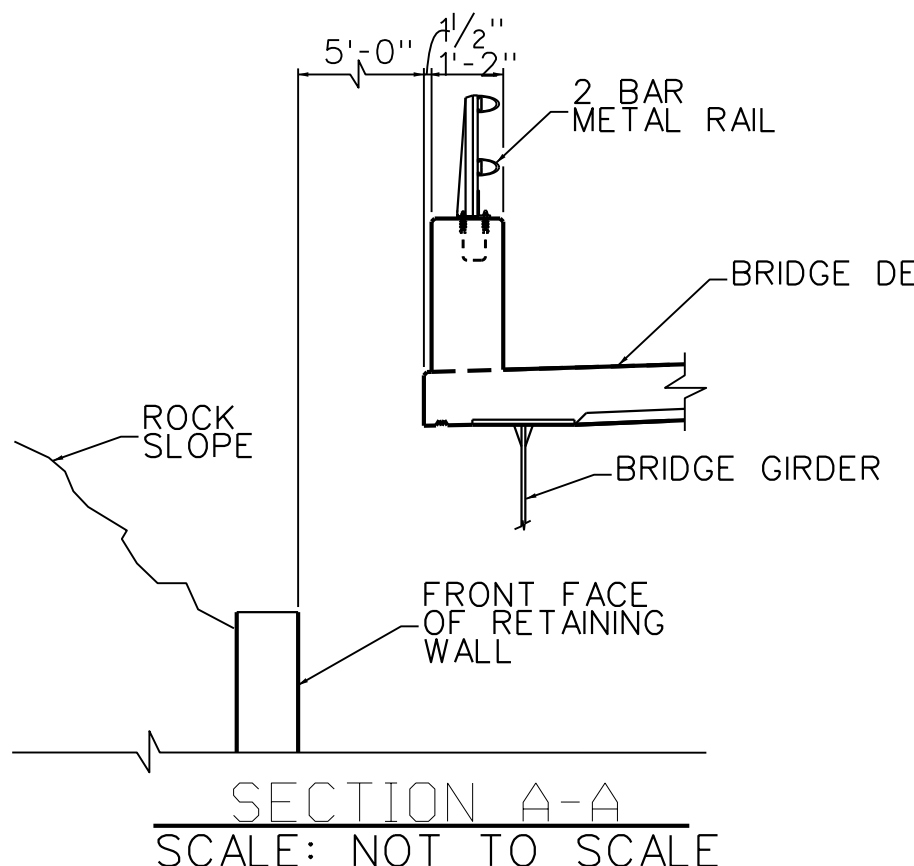
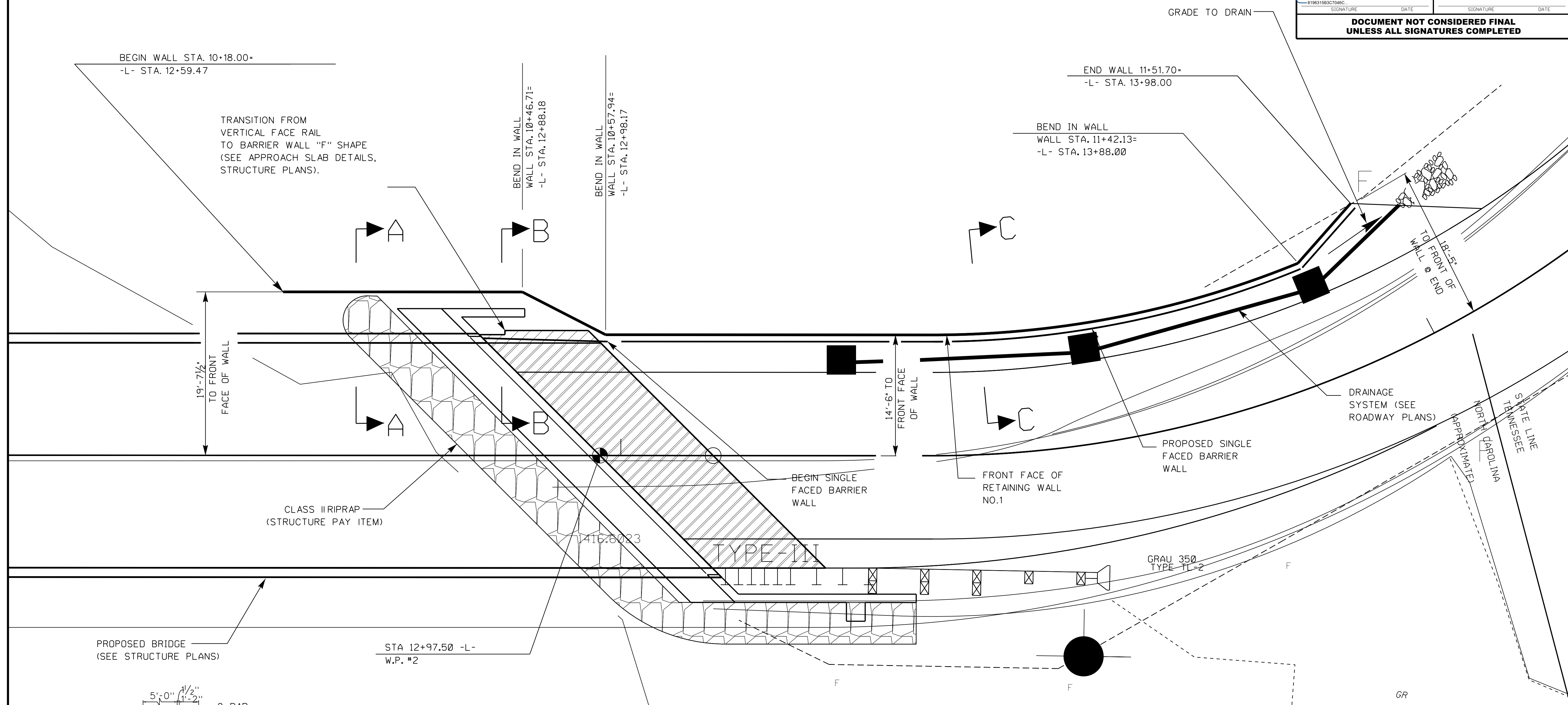
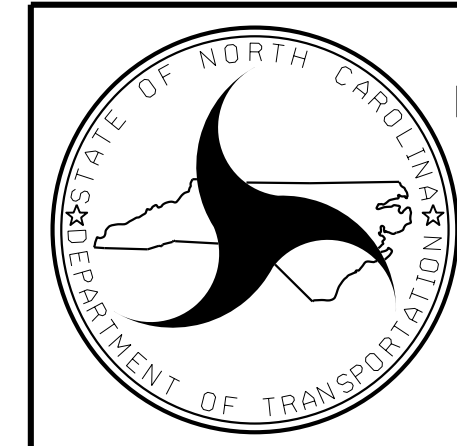


NAD 83 / NSRS 2007

GEOTECHNICAL ENGINEER 		ENGINEER	
DocuSigned by: 		11/15/2023	
SIGNATURE		DATE	
DOCUMENT NOT CONSIDERED FINAL UNLESS ALL SIGNATURES COMPLETED			



PLAN



NORTH CAROLINA
DEPARTMENT OF TRANSPORTATION
DIVISION OF HIGHWAYS

GEOTECHNICAL
ENGINEERING UNIT

PROJECT NO. 14SP.20441.2 (SF-430174)
HAYWOOD COUNTY
STATION: -L- 12+59.5
SHEET 1 OF 4

REVISIONS					
NO.	BY	DATE	NO.	BY	DATE
1			3		
2			4		

SHEET NO. W-1

PREPARED BY: MHS	DATE: 11/23
REVIEWED BY: SSC	DATE: 11/23