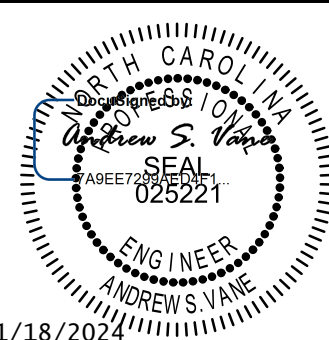


PROJECT TYPICAL DETAILS

| | |
|---|--|
| PROJECT REFERENCE NO. Y-4807B | SHEET NO. UC-3A |
| DESIGNED BY: ABN |  |
| DRAWN BY: ABN | |
| CHECKED BY: ASV | |
| APPROVED BY: | |
| REVISER: | 1/18/2024 |
| NORTH CAROLINA DEPARTMENT OF TRANSPORTATION UTILITIES ENGINEERING SEC. PHONE: (919) 707-6690 FAX: (919) 250-4151 | |
| UTILITY CONSTRUCTION PLANS ONLY | |

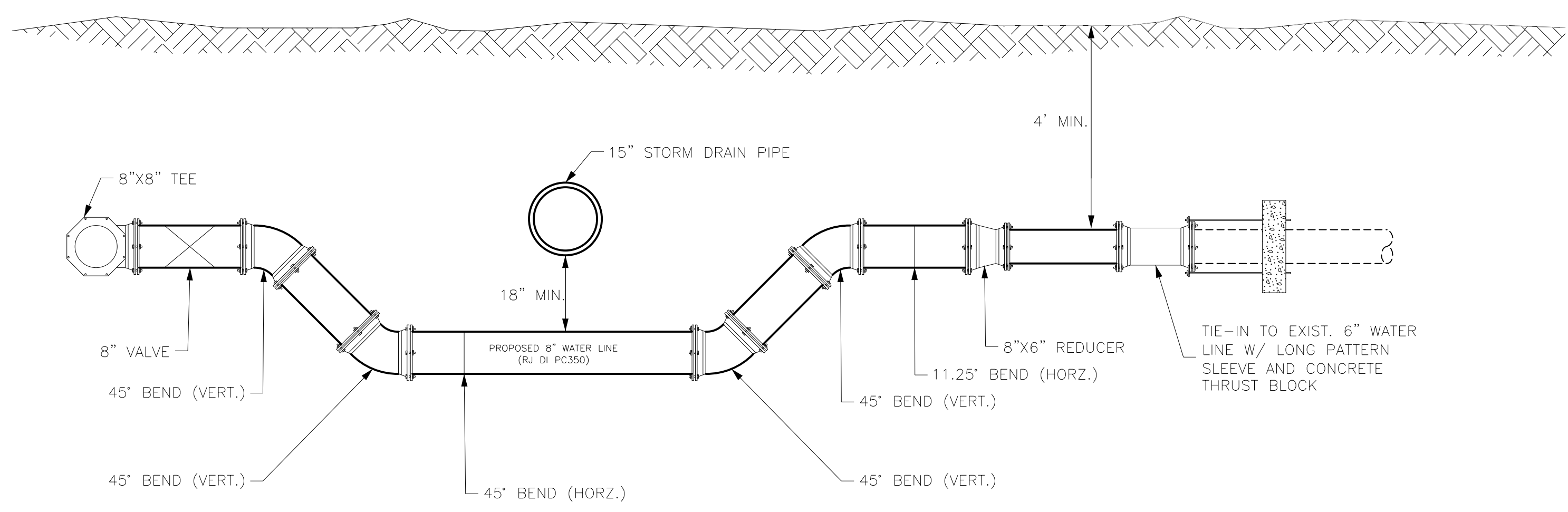
UTILITY CONSTRUCTION

DOCUMENT NOT CONSIDERED FINAL UNLESS ALL SIGNATURES COMPLETED

stv STV Engineers, Inc.
 900 West Trade St., Suite 715
 Charlotte, NC 28202
 NC License Number F-0991

SENSITIVE INFORMATION
 Not to be copied or distributed without the express written permission of the City of Greensboro

DETAIL A



PROFILE VIEW
NOT TO SCALE

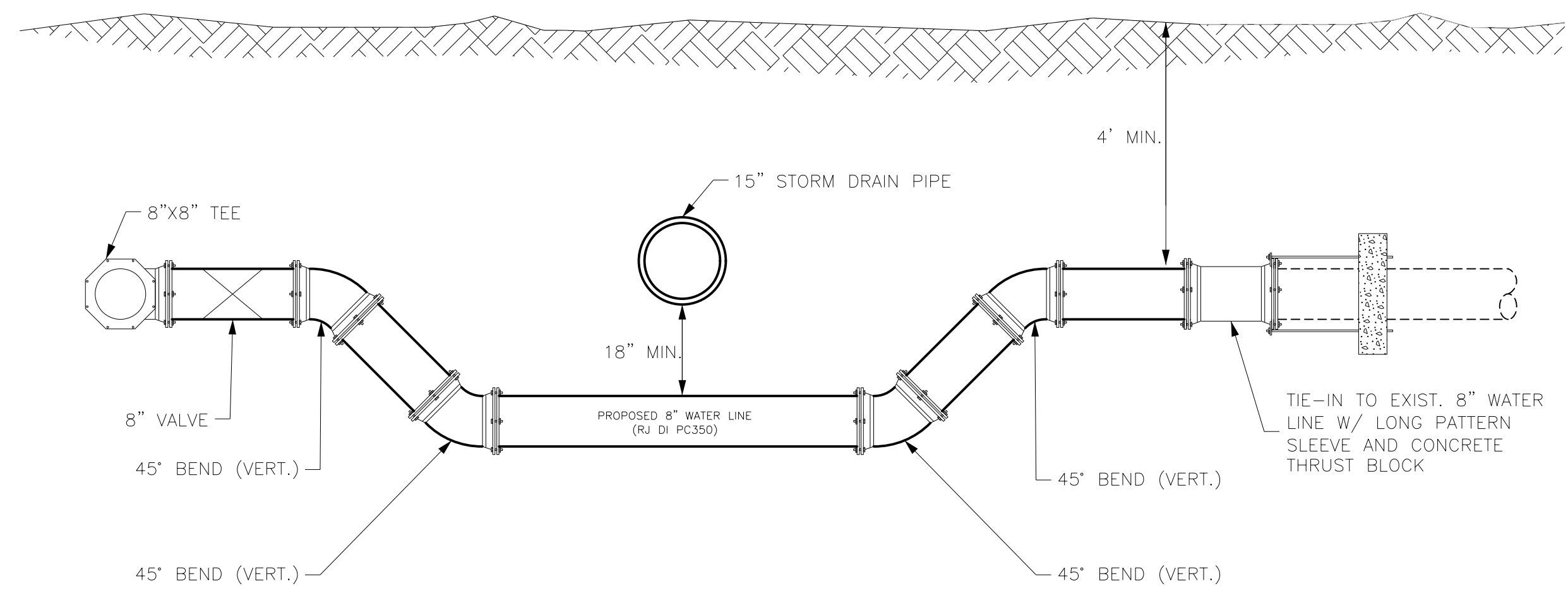
TYPE "4"
(BEDDING FOR D.I. PIPE)

PIPE BEDDED IN SAND, GRAVEL OR CRUSHED STONE TO A DEPTH OF 1/8 PIPE DIAMETER, 4" MINIMUM UNDER PIPE. TRENCH BACKFILLED IN LOOSE 6" LAYERS COMPACTED TO TOP OF TRENCH USING LOCAL EXCAVATED MATERIAL, IF APPROVED BY THE ENGINEER, OR SELECT MATERIAL. ALL MATERIAL SHALL BE FREE OF ROCKS, FOREIGN MATERIAL, AND FROZEN EARTH. COMPACTION SHALL BE TO APPROX. 95% DENSITY IN ACCORDANCE WITH AASHTO T-99 AS MODIFIED BY THE DEPARTMENT OF TRANSPORTATION.

MAXIMUM TRENCH WIDTH AT TOP OF PIPE

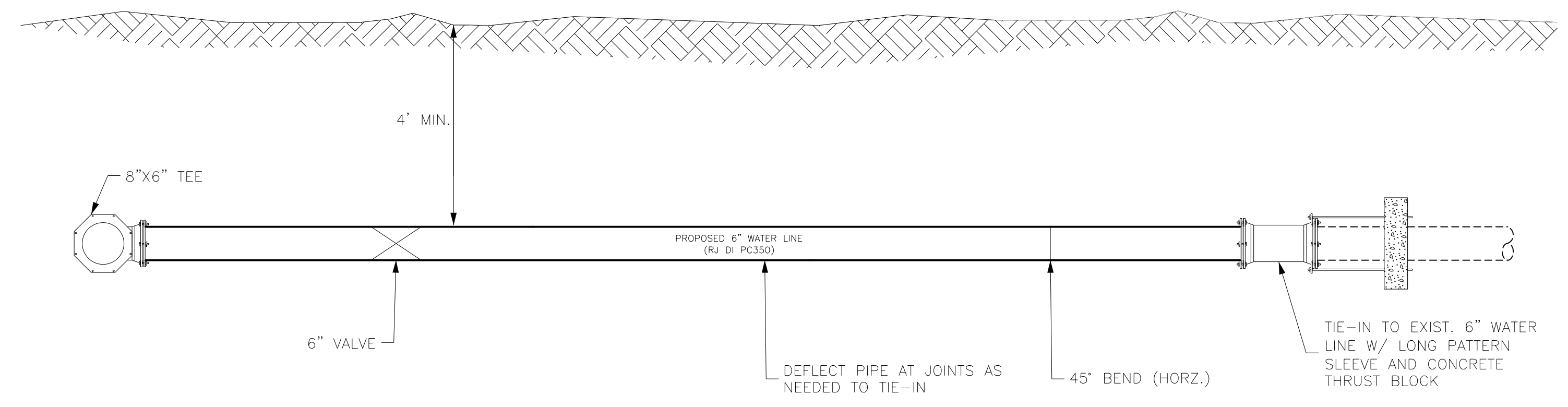
| NOMINAL PIPE SIZE (INCHES) | TRENCH WIDTH (INCHES) | NOMINAL PIPE SIZE (INCHES) | TRENCH WIDTH (INCHES) |
|----------------------------|-----------------------|----------------------------|-----------------------|
| 4 | 28 | 20 | 44 |
| 6 | 30 | 24 | 48 |
| 8 | 32 | 30 | 54 |
| 10 | 34 | 36 | 60 |
| 12 | 36 | 42 | 66 |
| 14 | 38 | 48 | 72 |
| 16 | 40 | 54 | 78 |
| 18 | 42 | | |

DETAIL B



PROFILE VIEW
NOT TO SCALE

DETAIL C



PROFILE VIEW
NOT TO SCALE