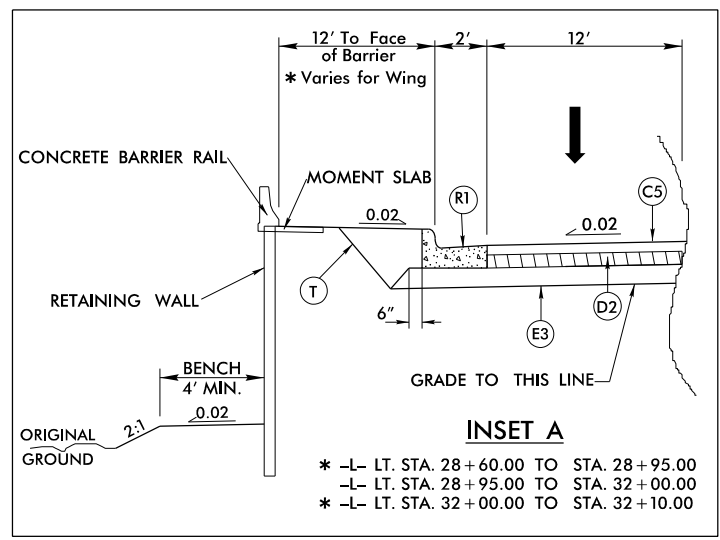
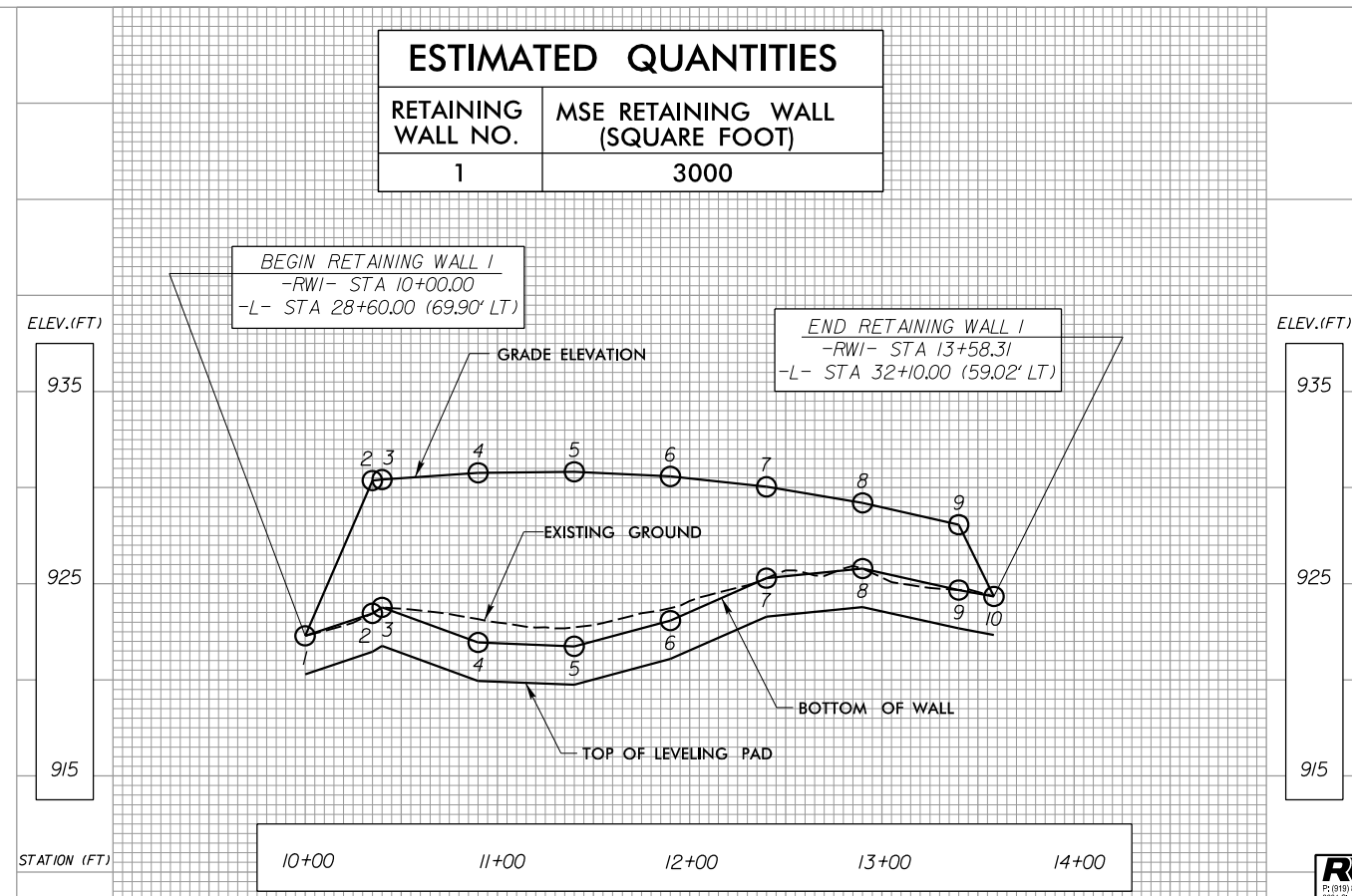


ESTIMATED QUANTITIES

RETAINING WALL NO.	MSE RETAINING WALL (SQUARE FOOT)
1	3000

POINT NO.	-RW1- STATION	GRADE ELEVATION	BOTTOM OF WALL
1	10+00.00	922.29'	922.29'
2	10+40.24	930.37'	923.46'
3	10+45.10	930.42'	923.77'
4*	10+95.10	930.77'	921.94'
5*	11+45.10	930.82'	921.74'
6*	11+95.10	930.58'	923.08'
7	12+45.10	930.04'	925.29'
8	12+95.10	929.21'	925.79'
9	13+44.90	928.07'	924.67'
10	13+58.31	924.34'	924.34'

* Bottom elevations include 4' bench for steep existing slope



NOTE: VERTICAL SCALE: 1:10
 HORIZONTAL SCALE: 1:1

PROJECT NO.: R-2577A
 FORSYTH COUNTY
 STATION: -RW1- 10+00.00 TO -RW1- 13+58.31
 -L- 28+60.00 TO -L- 32+10.00
 SHEET 1 OF 5 WALL ID RW-1