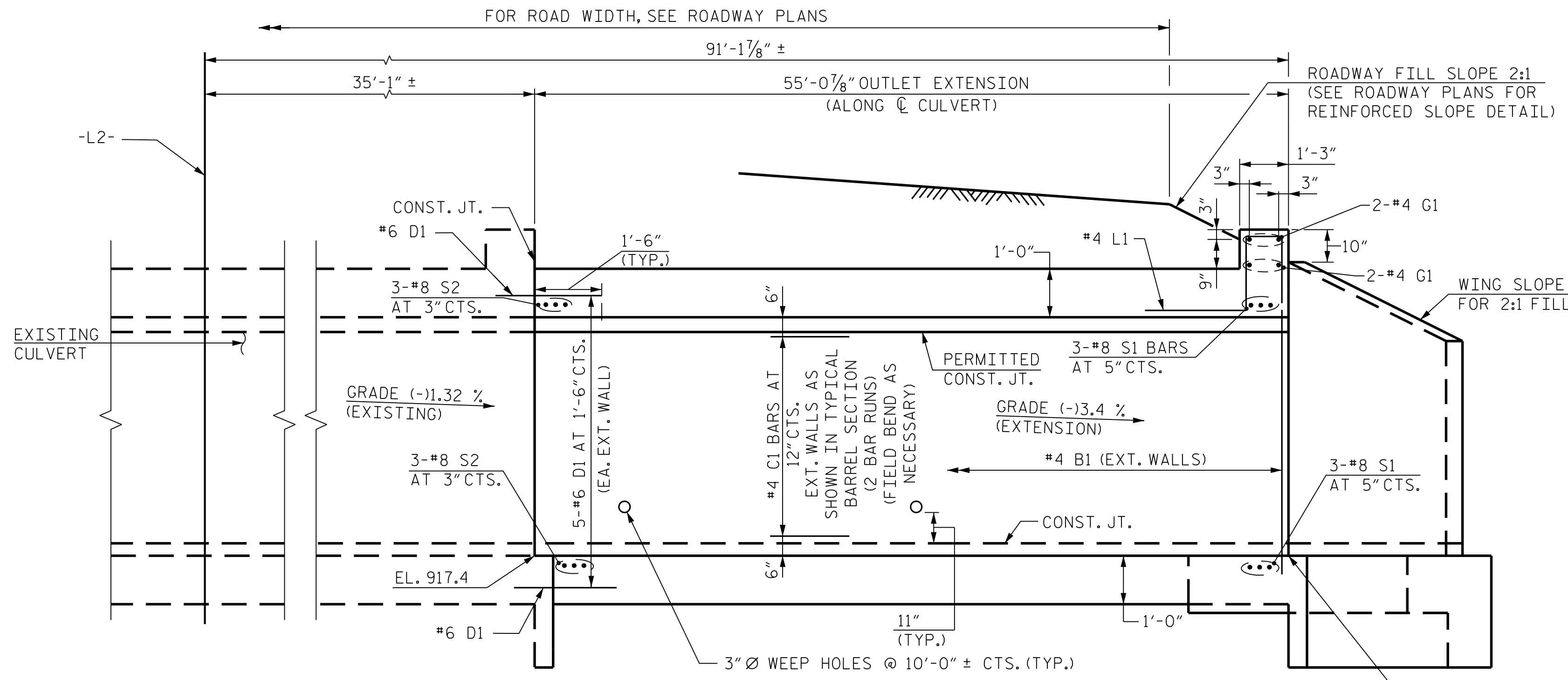
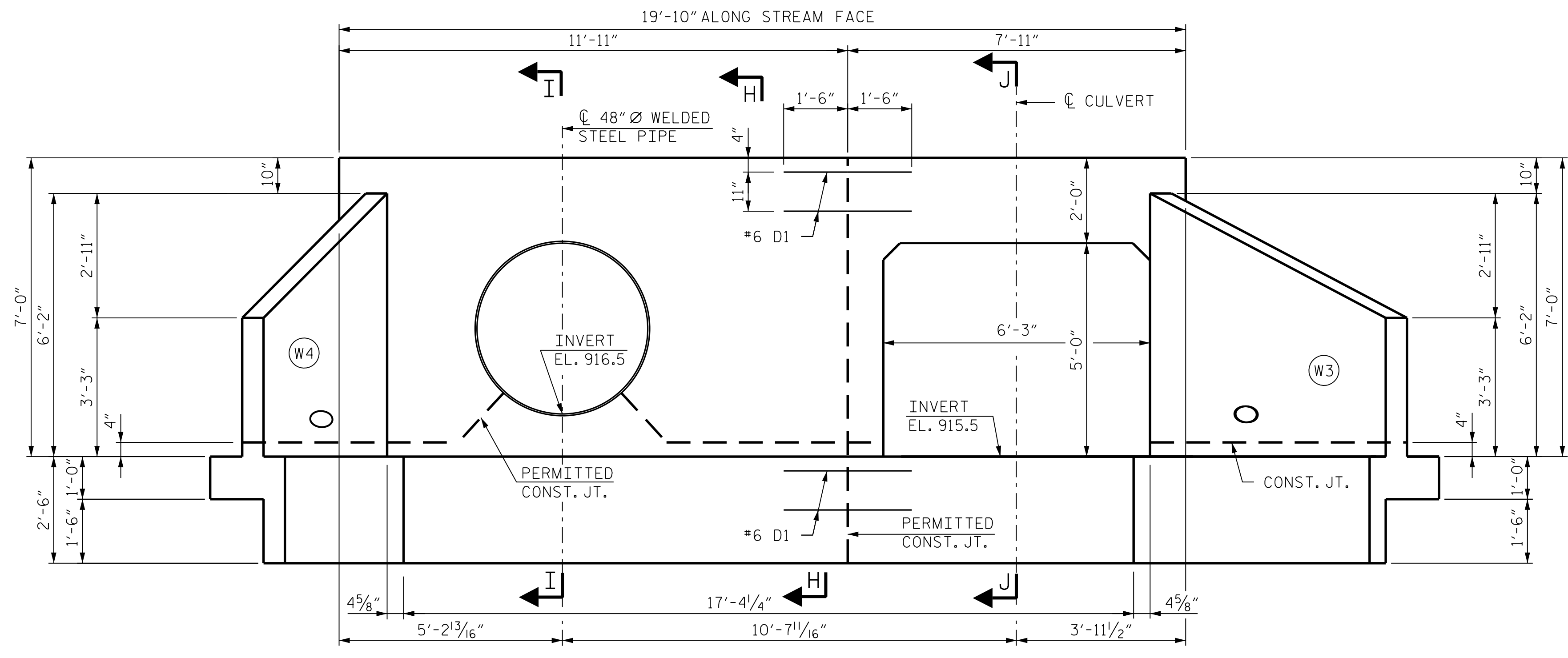


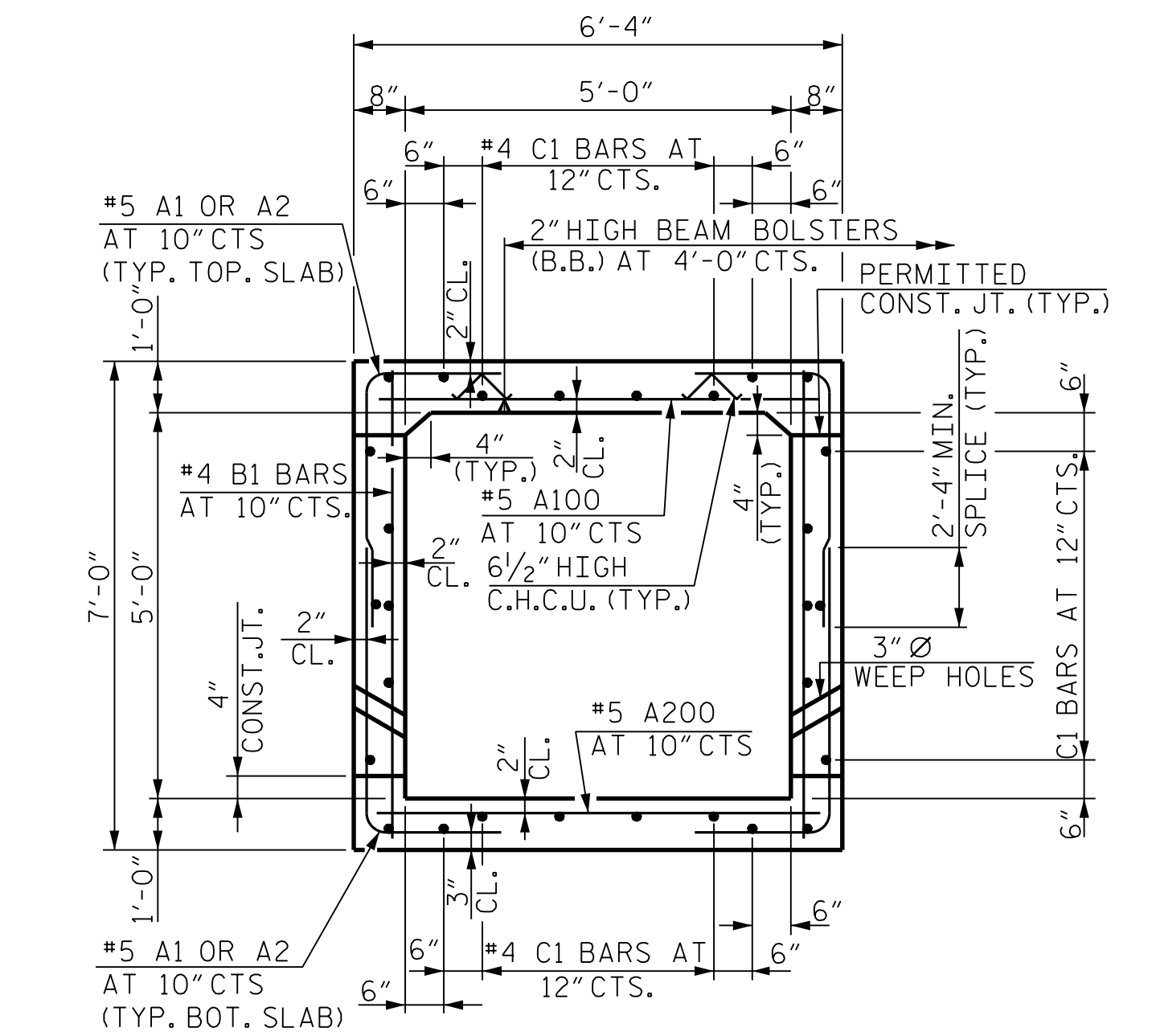
R:\Structures\Culvert\Martin Mill Creek Culvert\Drawings\SMJ\_CU\_2-3\_330000.dgn  
 11/10/2023 10:10:23  
 opatel



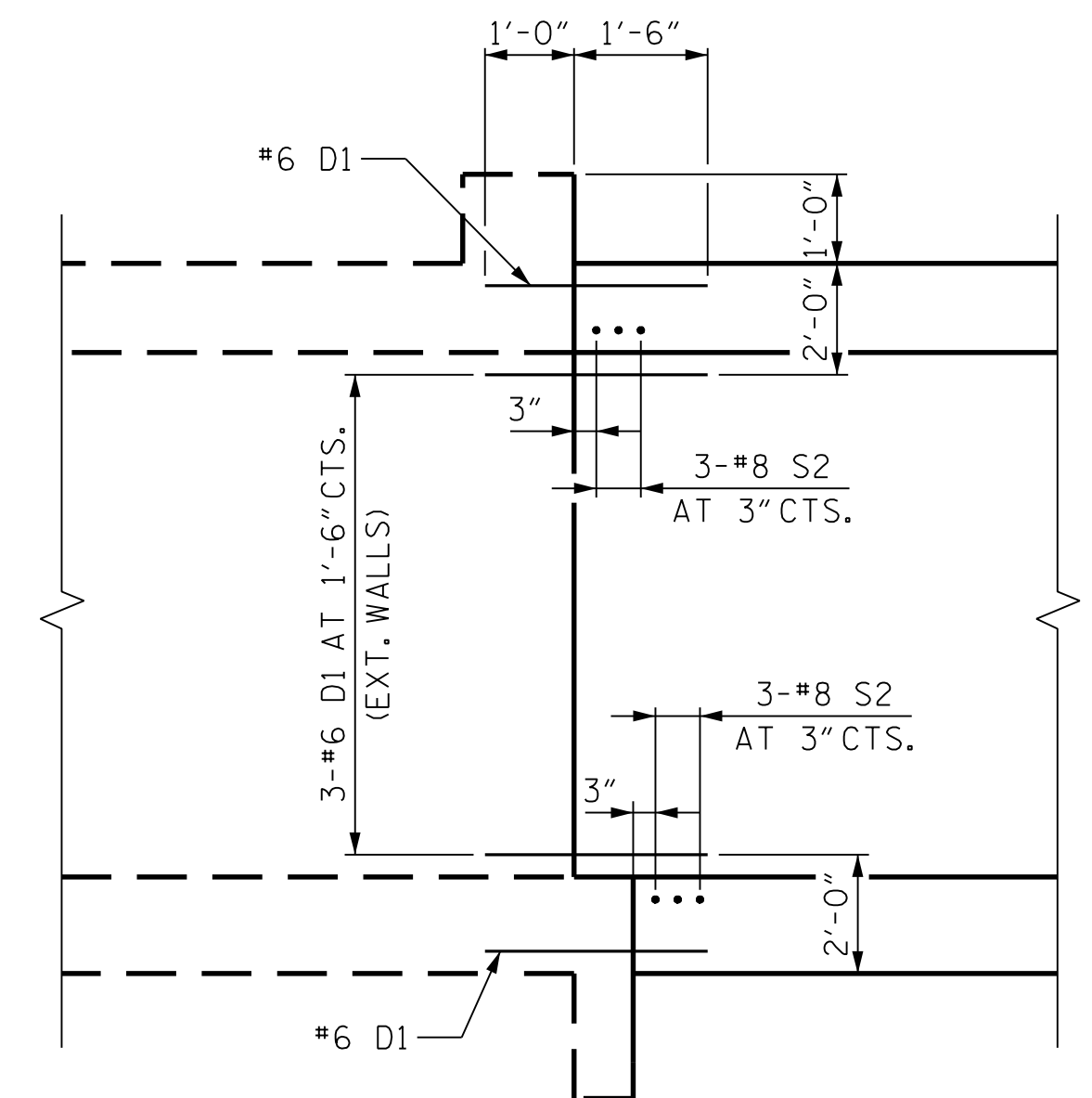
EXISTING CULVERT                      OUTLET EXTENSION  
**CULVERT SECTION NORMAL TO ROADWAY**



**END ELEVATION NORMAL TO SKEW**  
 (LOOKING UPSTREAM - OUTLET END - ALONG STREAM FACE)  
 (FOR SECTIONS H-H, I-I AND J-J, SEE SHEET 8 OF 14)



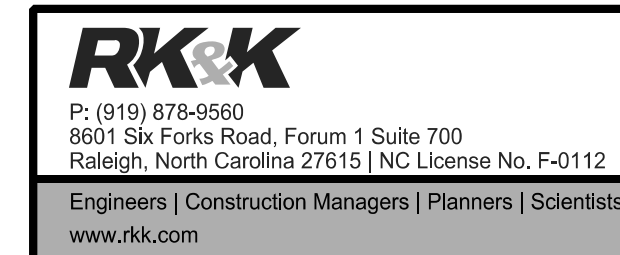
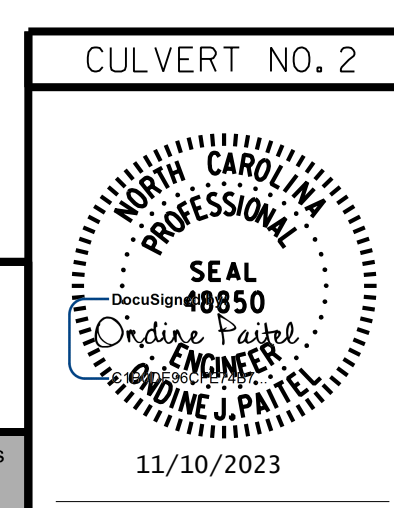
**RIGHT ANGLE SECTION OF BARREL**  
 THERE ARE 28 "C" BARS IN SECTION OF BARREL.



EXISTING BARREL                      PROPOSED EXTENSION  
**EDGE BEAM DETAIL**

PROJECT NO. **R-2577A**  
 FORSYTH COUNTY  
 STATION: **229+09.00 -L2-**

SHEET 3 OF 14



STATE OF NORTH CAROLINA  
 DEPARTMENT OF TRANSPORTATION  
 RALEIGH  
**SINGLE 5 FT. X 5 FT.  
 CONCRETE BOX CULVERT  
 SECTION - OUTLET EXTENSION  
 STAGE I**

DRAWN BY : T. K. BOYD                      DATE : NOV 2023  
 CHECKED BY : B. D. KLAPPENBACH                      DATE : NOV 2023  
 DESIGN ENGINEER OF RECORD : O. J. PAITEL                      DATE : NOV 2023

REVISIONS						SHEET NO. CU_2-3
NO.	BY:	DATE:	NO.	BY:	DATE:	
1			3			TOTAL SHEETS 14
2			4			

**DOCUMENT NOT CONSIDERED FINAL  
 UNLESS ALL SIGNATURES COMPLETED**