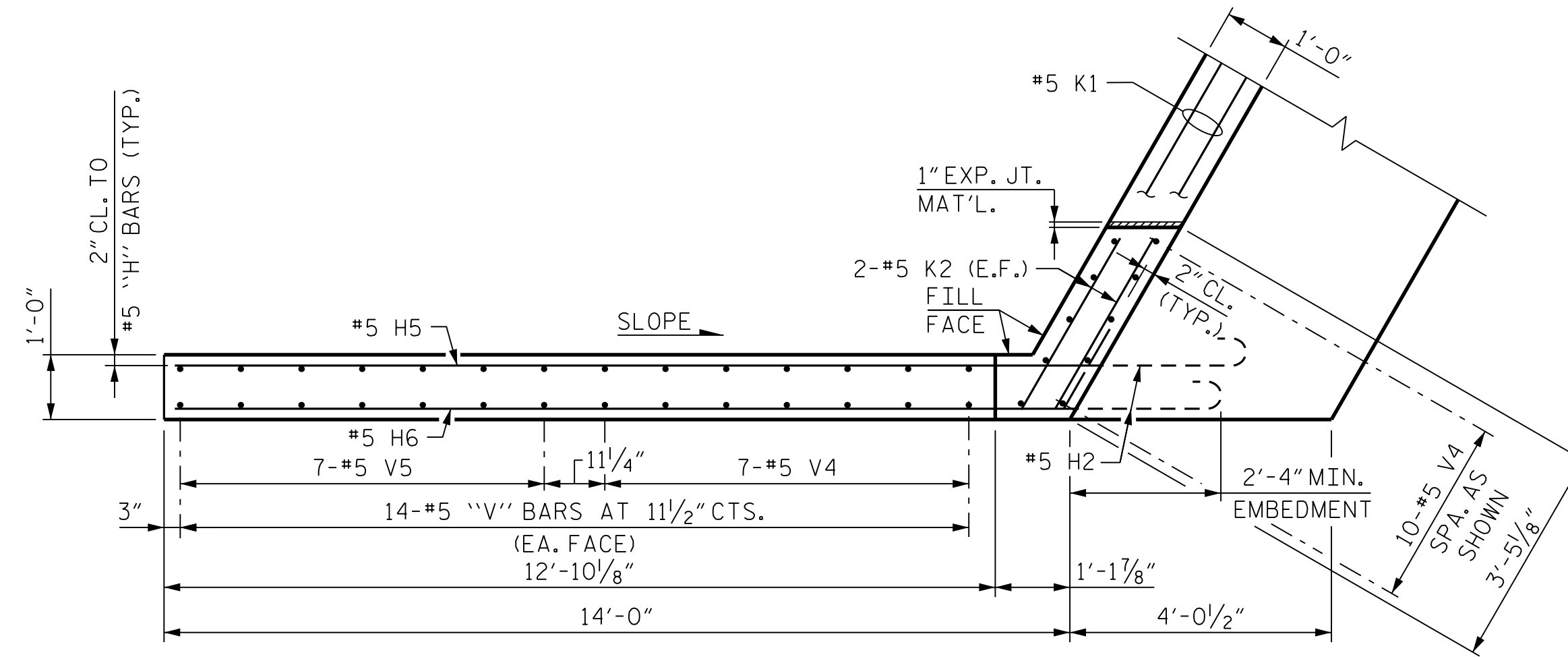
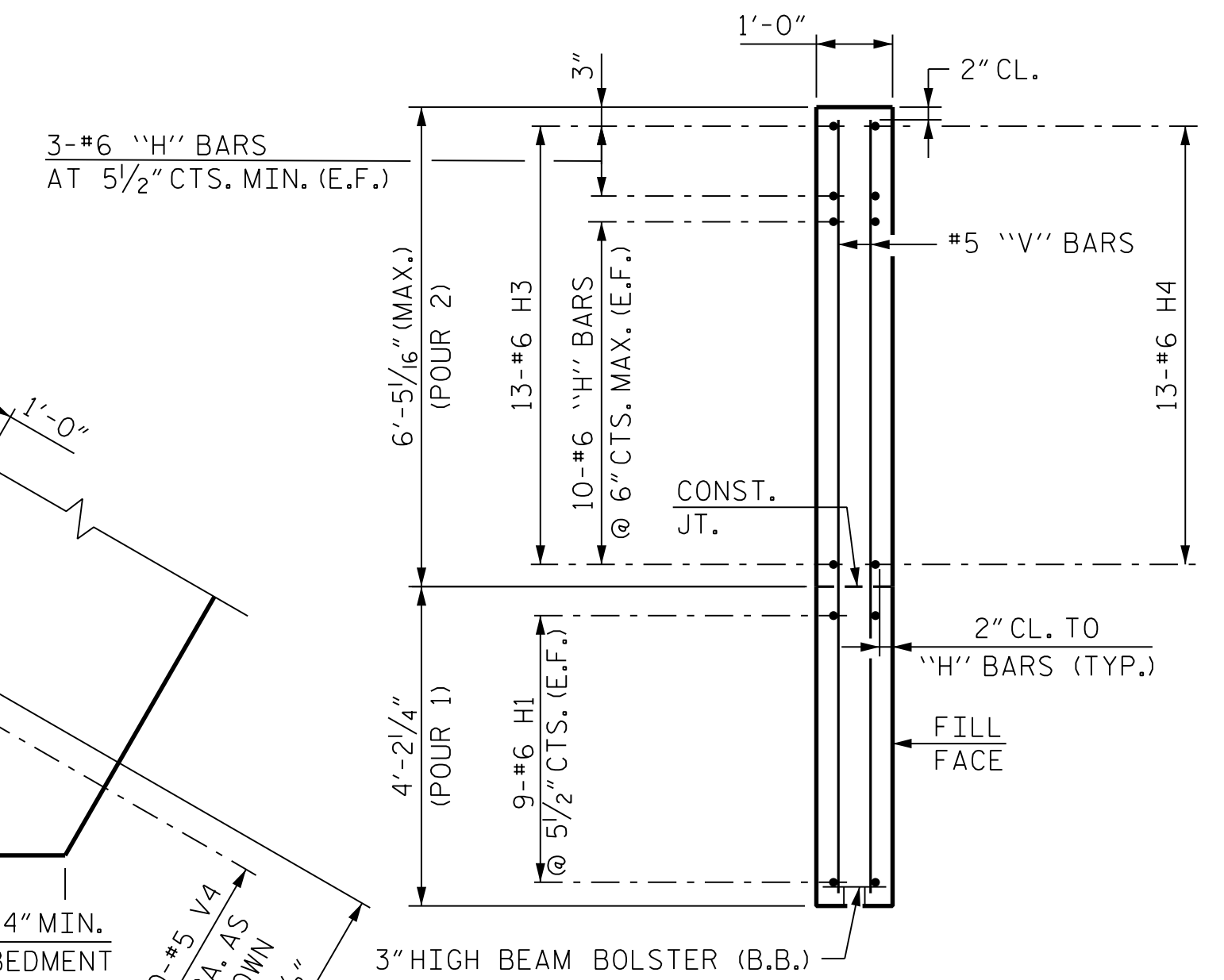


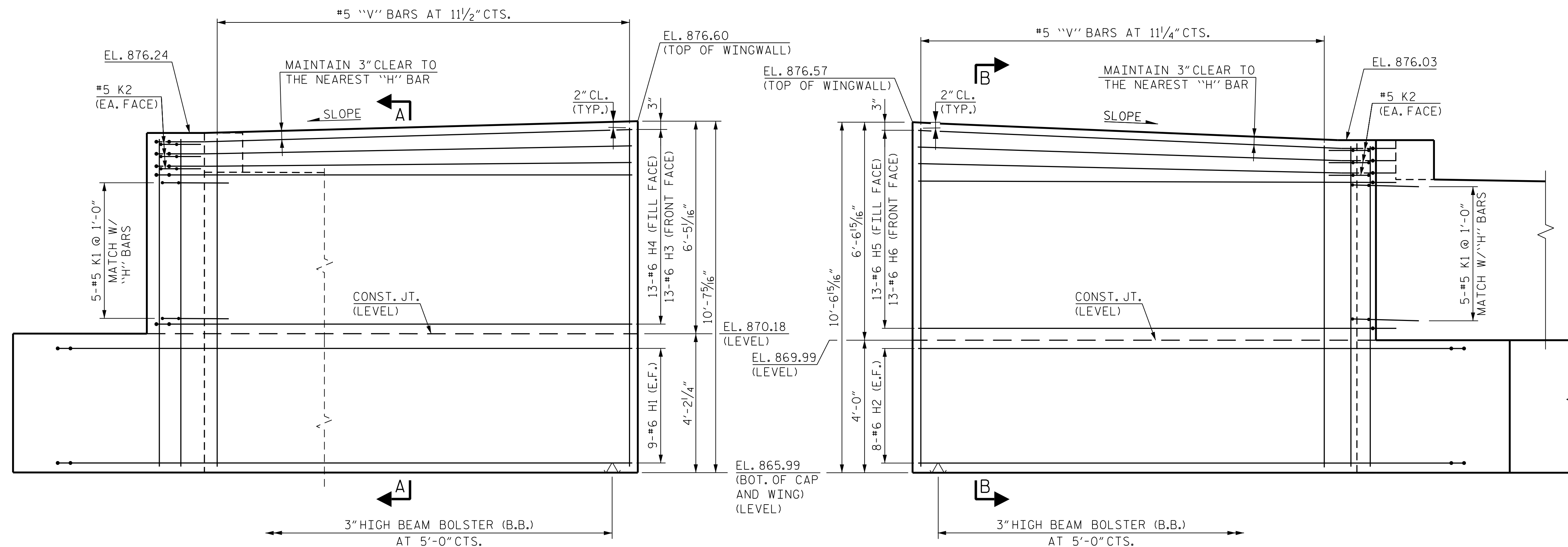
PLAN OF LEFT WINGWALL



PLAN OF RIGHT WINGWALL



SECTION A-A

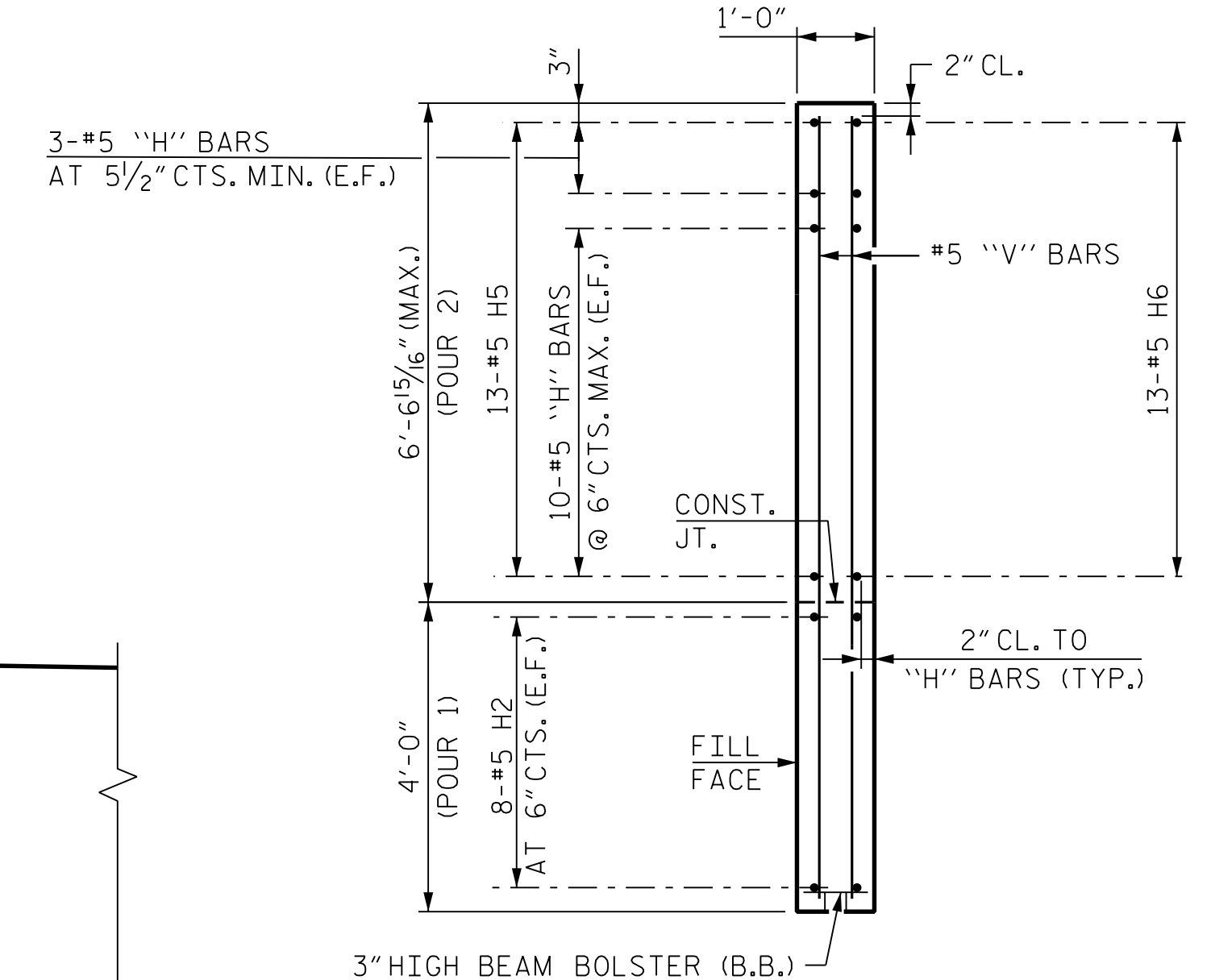


ELEVATION OF LEFT WINGWALL

LEFT WINGWALL DETAILS (W1)

ELEVATION OF RIGHT WINGWALL

RIGHT WINGWALL DETAILS (W2)

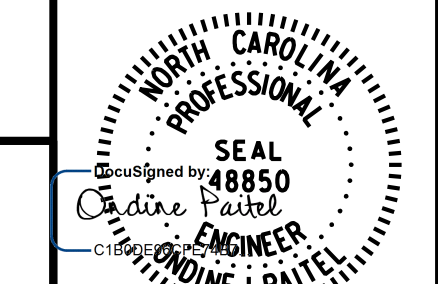


SECTION B-B

PROJECT NO. R-2577A
 FORSYTH COUNTY
 STATION: 140+39.50 -L-

SHEET 2 OF 3

BRIDGE NO. 330814



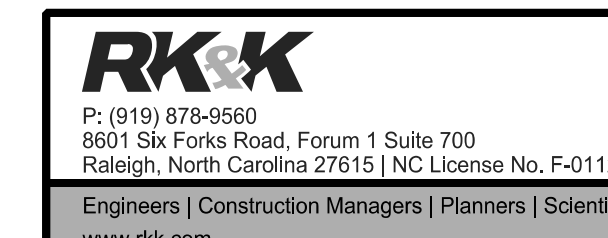
STATE OF NORTH CAROLINA
 DEPARTMENT OF TRANSPORTATION
 RALEIGH

SUBSTRUCTURE
 END BENT 1
 WINGWALL DETAILS

RIGHT LANE

REVISIONS

NO.	BY:	DATE:	NO.	BY:	DATE:	SHEET NO.
1			3			SR-25
2			4			TOTAL SHEETS 34



Engineers | Construction Managers | Planners | Scientists
 www.rk.com
 Responsive People | Creative Solutions

DOCUMENT NOT CONSIDERED FINAL
 UNLESS ALL SIGNATURES COMPLETED

11/10/2023 R:\Structures\Bridges\RightBridge\GNV\FINAL\R2577A_SMU_EIB_330814.dgn

DRAWN BY : B. A. HAAG DATE : SEP 2023
 CHECKED BY : L. K. AUSTIN DATE : SEP 2023
 DESIGN ENGINEER OF RECORD : Q. J. PAITEL DATE : SEP 2023