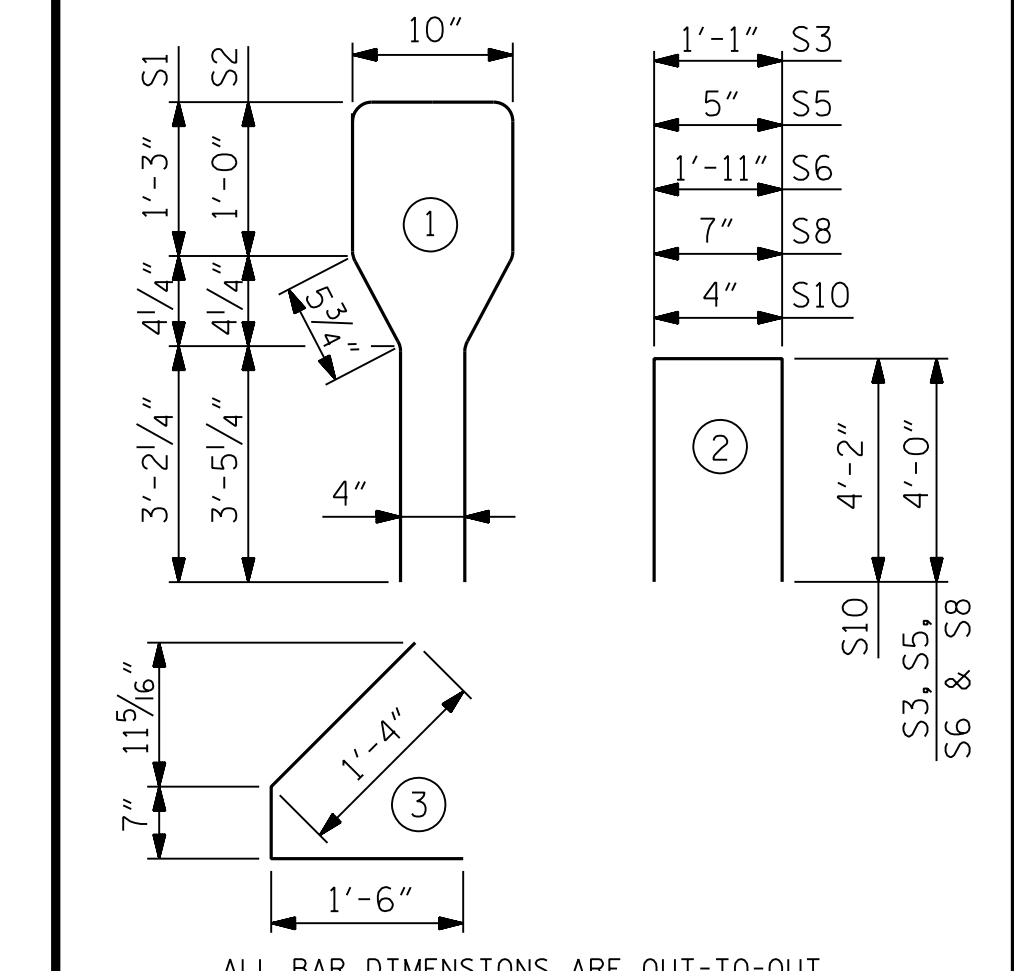


| 0.6" Ø L. R. GRADE 270 STRANDS | | |
|--------------------------------|-------------------------------------|-------------------------------------|
| AREA (SQUARE INCHES) | ULTIMATE STRENGTH (LBS. PER STRAND) | APPLIED PRESTRESS (LBS. PER STRAND) |
| 0.217 | 58,600 | 43,950 |

| REINFORCING STEEL FOR ONE GIRDER | | | | | |
|----------------------------------|--------|------|------|---------|--------|
| BAR | NUMBER | SIZE | TYPE | LENGTH | WEIGHT |
| S1 | 43 | #4 | 1 | 10'-8" | 306 |
| S2 | 12 | #6 | 1 | 10'-8" | 192 |
| S3 | 4 | #4 | 2 | 9'-1" | 24 |
| S4 | 64 | #4 | 3 | 3'-5" | 146 |
| S5 | 6 | #4 | 2 | 8'-5" | 34 |
| S6 | 1 | #4 | 2 | 9'-11" | 7 |
| *S7 | 6 | #5 | STR. | 3'-8" | 23 |
| S8 | 4 | #4 | 2 | 8'-7" | 23 |
| S9 | 1 | #3 | STR. | 1'-10" | 1 |
| S10 | 2 | #5 | 2 | 8'-8" | 18 |
| S11 | 5 | #4 | STR. | 7'-0" | 23 |
| S12 | 5 | #4 | STR. | 11'-10" | 40 |

* NOTE: S7 BARS SHALL BE BENT BEFORE SHIPMENT. HEAT BENDING SHALL NOT BE ALLOWED.

BAR TYPES



ALL BAR DIMENSIONS ARE OUT-TO-OUT

| QUANTITIES FOR ONE GIRDER | | | |
|---------------------------|-------------------------|---------------------------|----------------------------|
| | REINFORCING STEEL (LB.) | 6,700 PSI CONCRETE (C.Y.) | 0.6" Ø L. R. STRANDS (No.) |
| GDRS. 1 & 5 | 797 | 11.7 | 14 |
| GDRS. 2-4 | 832 | 11.7 | 14 |

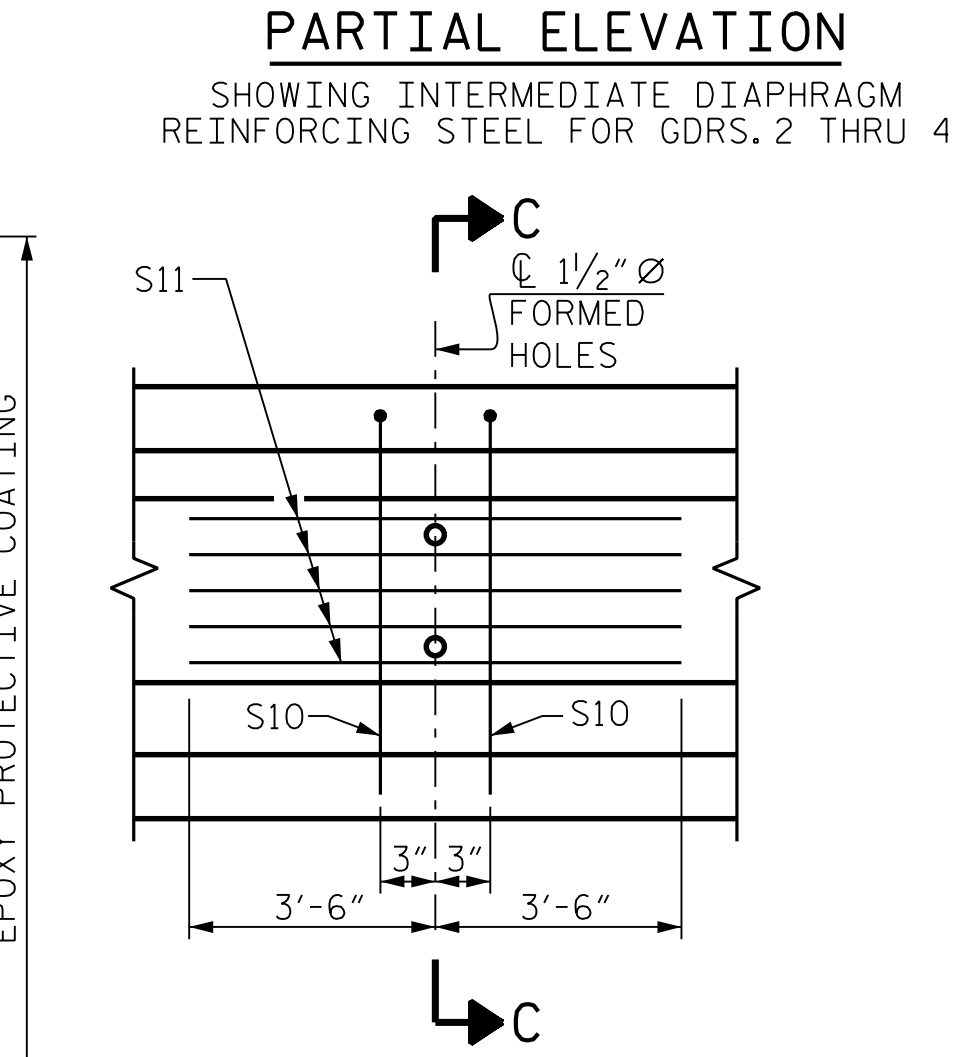
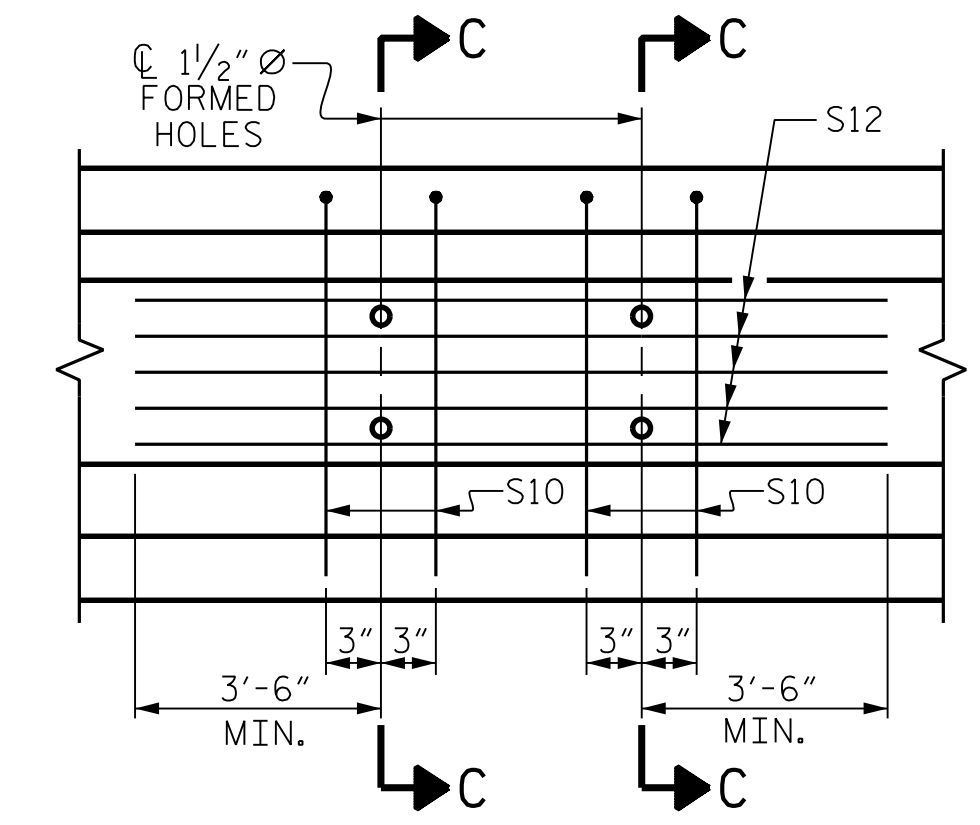
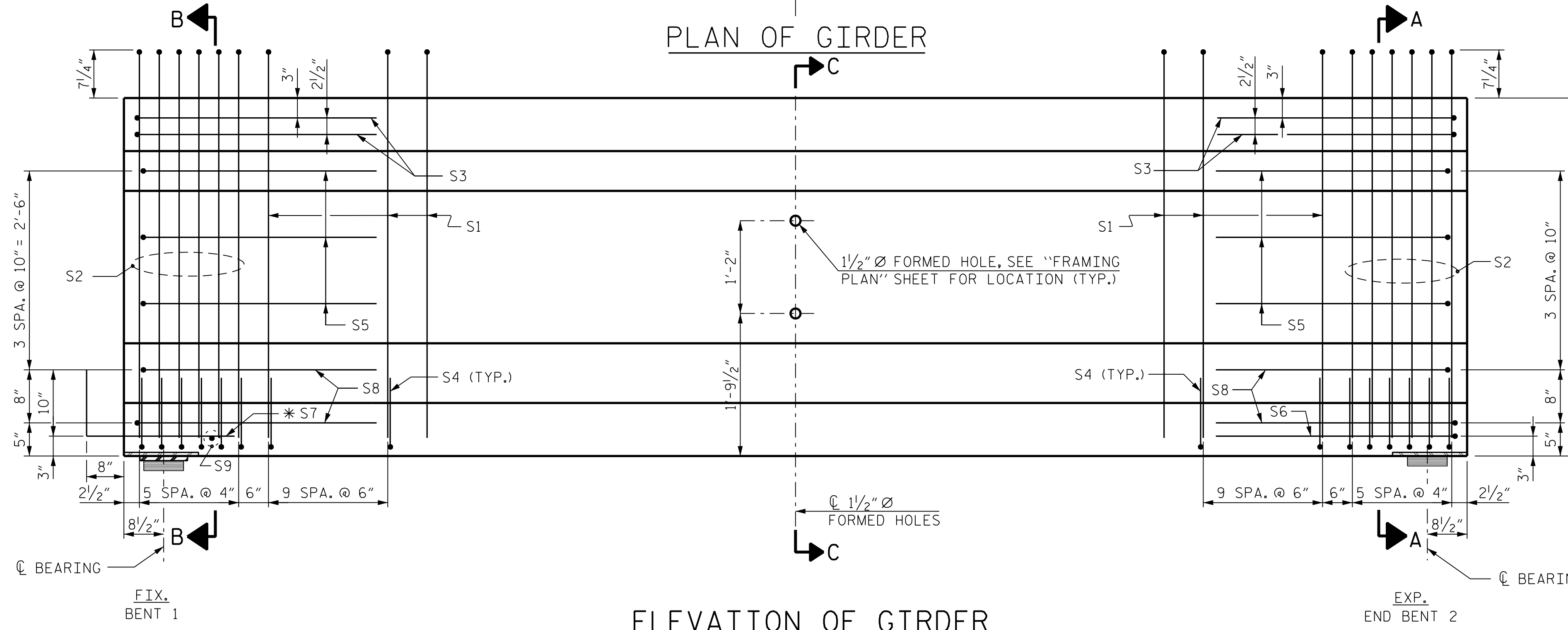
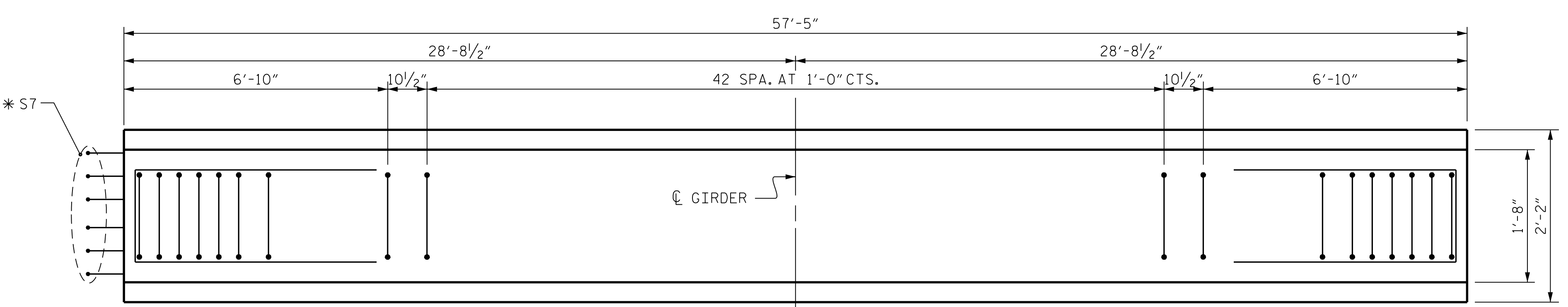
| GIRDERS REQUIRED | | |
|------------------|--------|--------------|
| NUMBER | LENGTH | TOTAL LENGTH |
| 5 | 57'-5" | 287'-1" |

PROJECT NO. R-2577A
 FORSYTH COUNTY
 STATION: 140+39.50 -L-

SHEET 2 OF 4

STATE OF NORTH CAROLINA
 DEPARTMENT OF TRANSPORTATION
 RALEIGH
SUPERSTRUCTURE
 AASHTO TYPE IV PRESTRESSED
 CONCRETE GIRDER CONTINUOUS
 FOR LIVE LOAD SPAN B
RIGHT LANE

| REVISIONS | | | | | |
|-----------|-----|-------|-----|-----|-------|
| NO. | BY: | DATE: | NO. | BY: | DATE: |
| 1 | | | 3 | | |
| 2 | | | 4 | | |



RK&K
 P: (919) 878-9560
 8601 Six Forks Road, Forum 1 Suite 700
 Raleigh, North Carolina 27615 | NC License No. F-0112
 Engineers | Construction Managers | Planners | Scientists
 www.rkk.com

BRIDGE NO. 330814
 SEAL
 Designated by 8850
 Carolina Professional Engineer
 J. PAITEL
 11/10/2023

**DOCUMENT NOT CONSIDERED FINAL
 UNLESS ALL SIGNATURES COMPLETED**

11/10/2023 R:\Structures\BRIDGE\RightBridge\GN\FINAL\R2577A_SMU_G2_330815.dgn tboyd

| | |
|--|-----------------|
| DRAWN BY : T. K. BOYD | DATE : SEP 2023 |
| CHECKED BY : L. K. AUSTIN | DATE : SEP 2023 |
| DESIGN ENGINEER OF RECORD : O. J. PAITEL | DATE : SEP 2023 |

(SEE PARTIAL ELEVATION FOR ADDITIONAL "S" BARS)