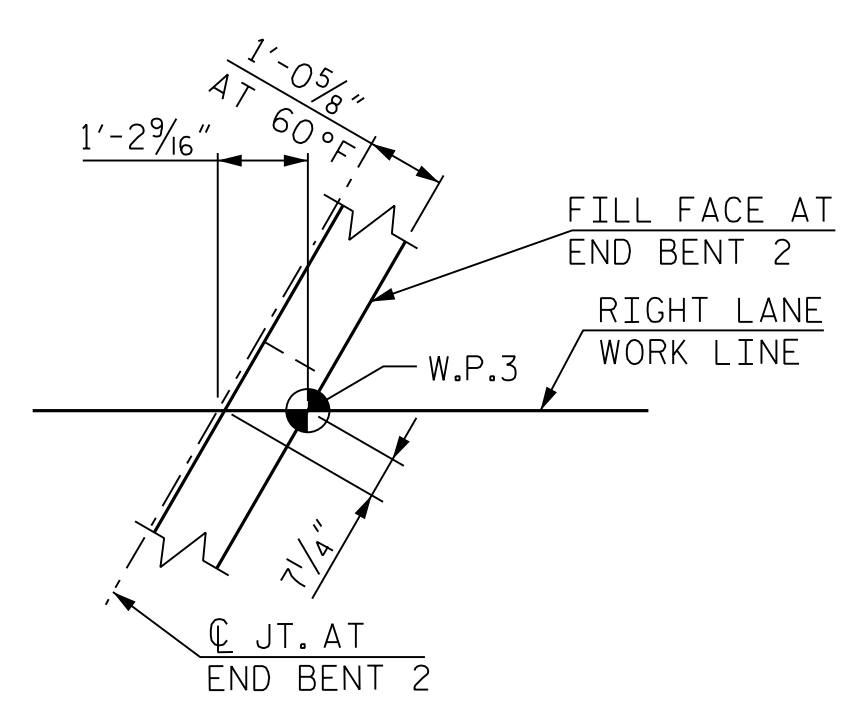


PLAN OF SPAN B

FOR LOCATIONS OF TRANSVERSE CONSTRUCTION JOINTS, SEE "SUPERSTRUCTURE BILL OF MATERIAL" SHEET.



DETAIL "B"

BENT 1 DIAPHRAGM DETAILS	
B1-1	8-#4 U1 AT 10" CTS. AND 32-#4 S3 (TYP. EA. BAY)
B1-2	#4 K5, 3-#4 K6 AND #4 K7 (TYP. EA. FACE) (TYP. EA. BAY)
B1-3	5-#4 K4 BETWEEN INTERIOR GIRDERS
B1-4	5-#4 K8 BETWEEN EXTERIOR GIRDERS

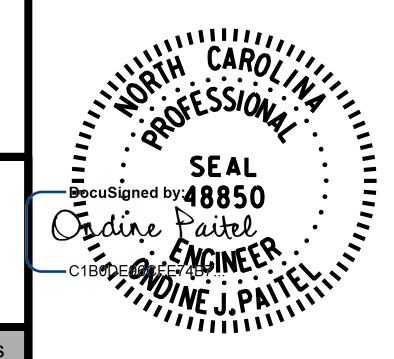
- ② 32-#6 B2 (TOP OF SLAB) (SPLICE WITH #4 B1 AND #4 B3) (MIN. LAP SPLICE = 2'-2") (SEE TYPICAL SECTION FOR SPACING)
- ③ 31-#6 B4 (TOP OF SLAB) (SEE TYPICAL SECTION FOR SPACING)
- ④ 32-#4 B3 (TOP OF SLAB) (SEE TYPICAL SECTION FOR SPACING)

END BENT 2 DIAPHRAGM DETAILS	
EB2-1	3-#6 K1 (TYP. EA. BAY)
EB2-2	2-#8 K2 (OVER EA. EXT. GDR.) (4'-9" MIN. SPLICE)
EB2-3	2-#8 K3 (OVER EA. INT. GDR.) (4'-9" MIN. SPLICE)
EB2-4	8-#4 S1 AND 8-#5 S2 AT 10" CTS. (TYP. EA. BAY)
EB2-5	42-#4 J1 AT 1'-0" CTS. (SEE EXPANSION JOINT SEAL DETAILS FOR LOCATION OF BARS)
EB2-6	#5 C1 PARALLEL TO JOINT

PROJECT NO. R-2577A
 FORSYTH COUNTY
 STATION: 140+39.50 -L-

SHEET 2 OF 2

BRIDGE NO. 330814



STATE OF NORTH CAROLINA
 DEPARTMENT OF TRANSPORTATION
 RALEIGH
SUPERSTRUCTURE
 PLAN OF SPAN B
 RIGHT LANE

RK&K
 P: (919) 878-9560
 8601 Six Forks Road, Forum 1 Suite 700
 Raleigh, North Carolina 27615 | NC License No. F-0112
 Engineers | Construction Managers | Planners | Scientists
 www.rkk.com
 Responsive People | Creative Solutions

REVISIONS						SHEET NO.
NO.	BY:	DATE:	NO.	BY:	DATE:	SR-10
1			3			TOTAL SHEETS
2			4			34

**DOCUMENT NOT CONSIDERED FINAL
 UNLESS ALL SIGNATURES COMPLETED**

11/10/2023 R:\Structures\Bridges\RightBridge\GNV\FINAL\R2577A_SMU_S2_330814.dgn

DRAWN BY : T.K. BOYD DATE : SEP 2023
 CHECKED BY : L.K. AUSTIN DATE : SEP 2023
 DESIGN ENGINEER OF RECORD : O.J. PAITEL DATE : SEP 2023