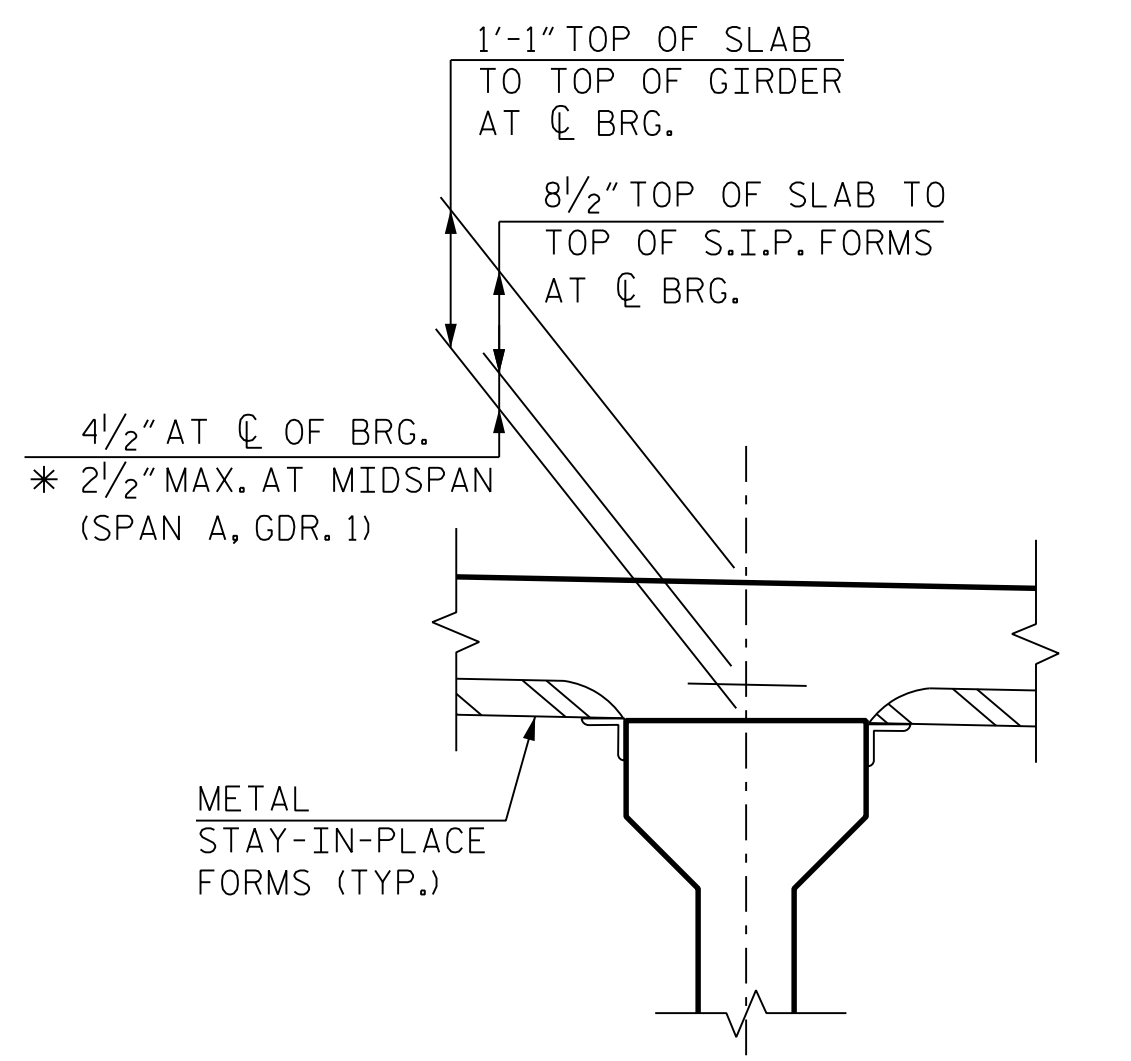


TYPICAL SECTION AT INTERMEDIATE DIAPHRAGMS

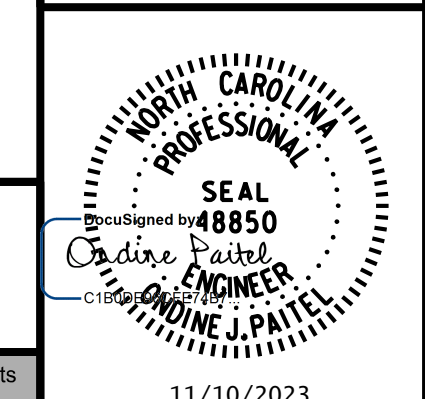


DETAIL "A"
* BASED ON PREDICTED FINAL CAMBER AND THEORETICAL GRADE LINE ELEVATIONS.

PROJECT NO. R-2577A
 FORSYTH COUNTY
 STATION: 140+39.50 -L-

SHEET 2 OF 3

BRIDGE NO. 330814



STATE OF NORTH CAROLINA
 DEPARTMENT OF TRANSPORTATION
 RALEIGH
 SUPERSTRUCTURE
 TYPICAL SECTIONS

RIGHT LANE

REVISIONS

NO.	BY:	DATE:	NO.	BY:	DATE:	SHEET NO.
1			3			SR-7
2			4			TOTAL SHEETS 34



DOCUMENT NOT CONSIDERED FINAL
 UNLESS ALL SIGNATURES COMPLETED

11/10/2023 R:\Structures\BRIDGE\RightBridge\GN\FINAL\R2577A_SMU_TS2_330815.dgn

DRAWN BY : T. K. BOYD DATE : SEP 2023
 CHECKED BY : L. K. AUSTIN DATE : SEP 2023
 DESIGN ENGINEER OF RECORD : J. PAITEL DATE : SEP 2023