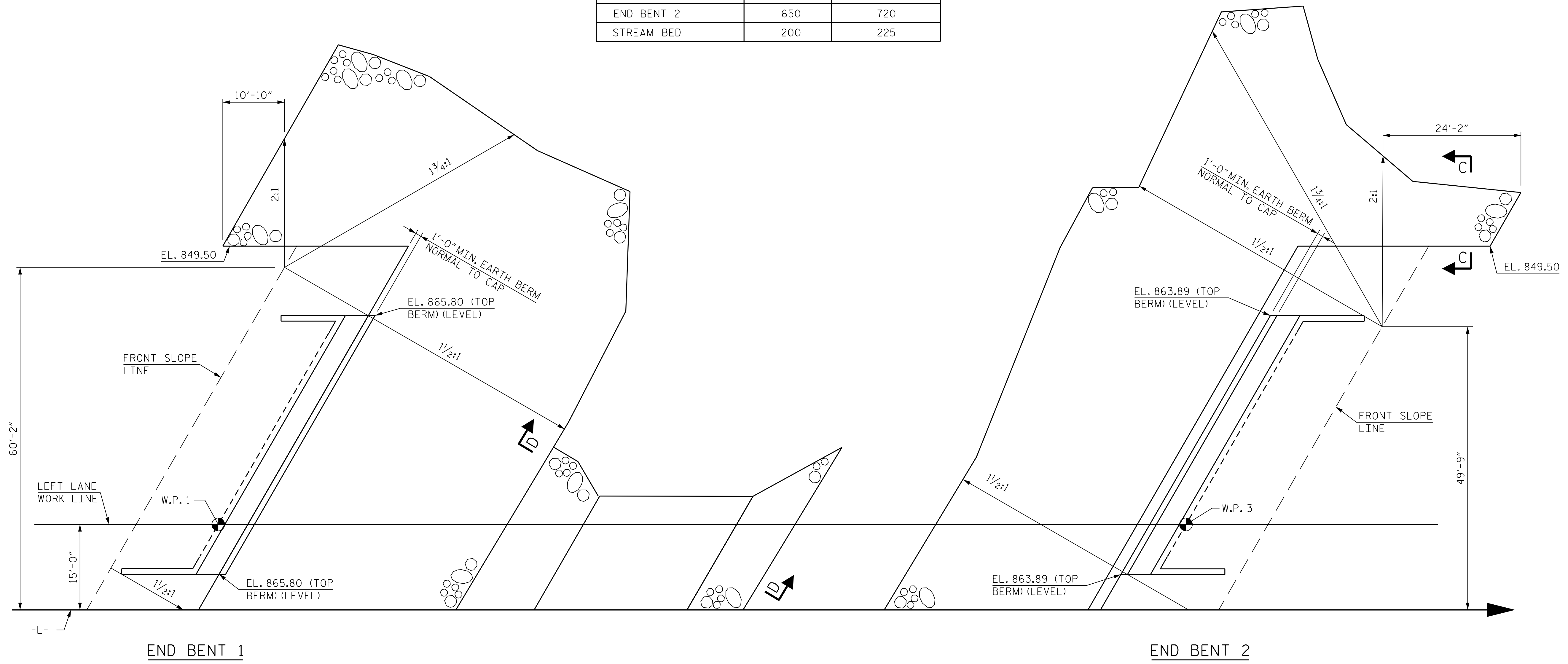
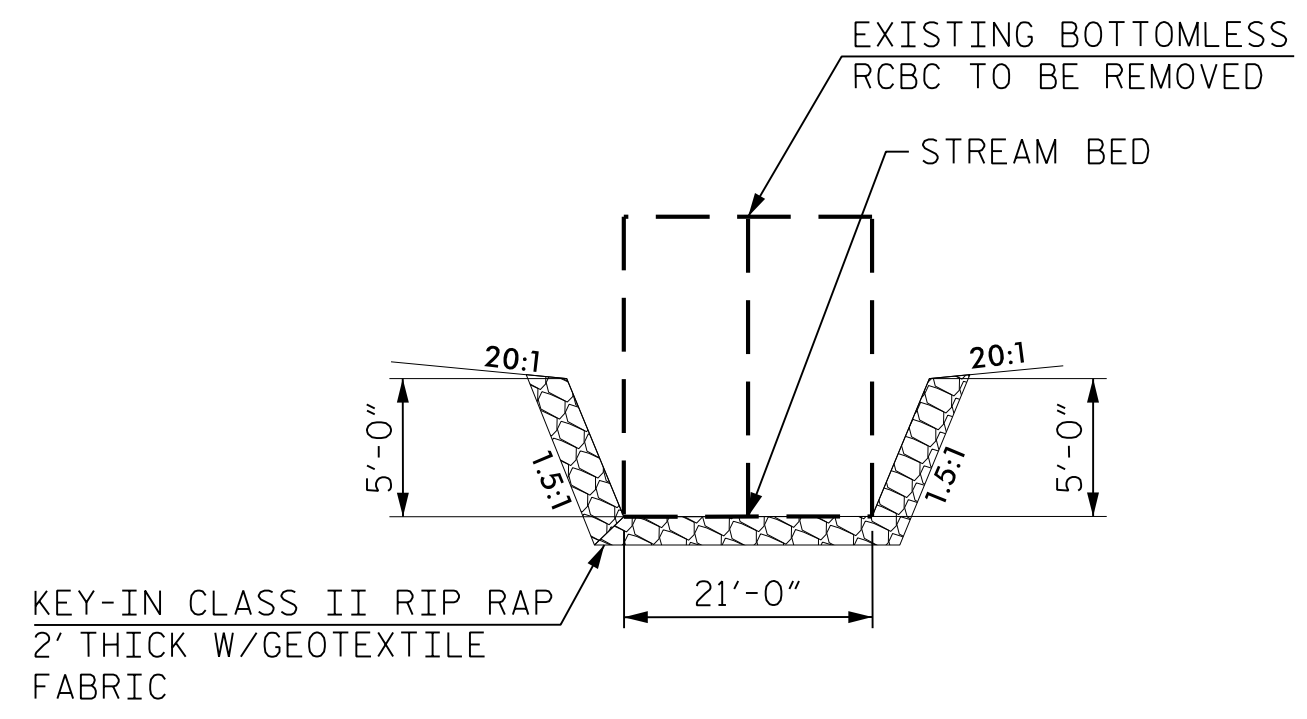


ESTIMATED QUANTITIES		
BRIDGE @ STA. 140+39.50 -L-	RIP RAP CLASS II (2'-0" THICK)	GEOTEXTILE FOR DRAINAGE
	TONS	SQUARE YARDS
END BENT 1	640	715
END BENT 2	650	720
STREAM BED	200	225

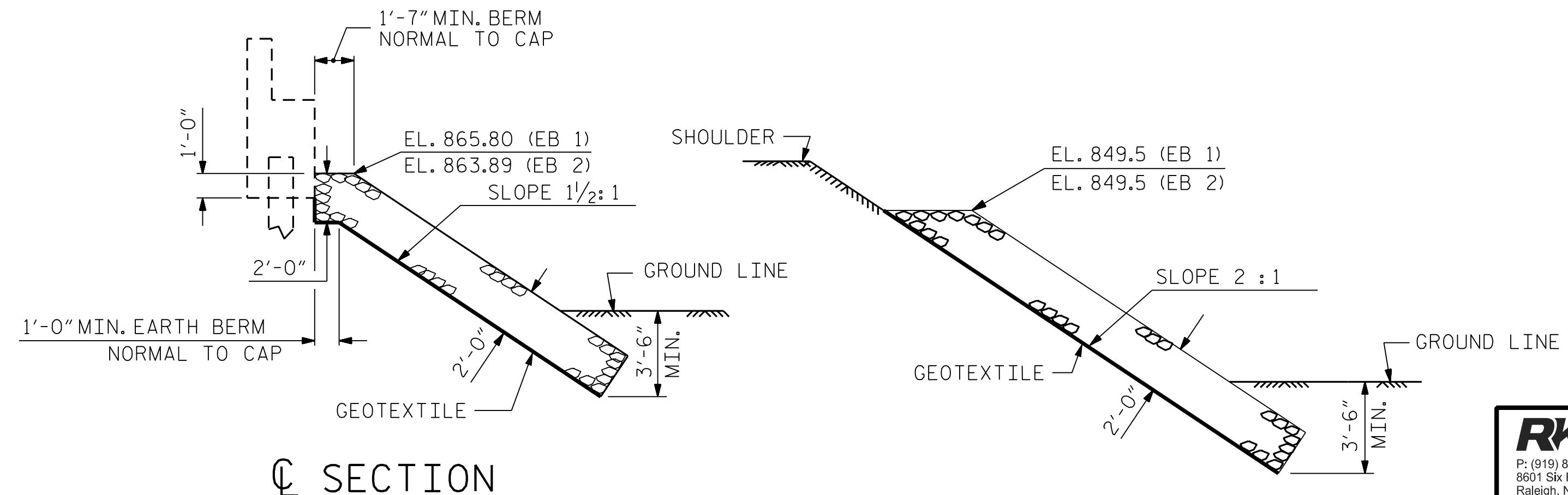
NOTES:
AFTER THE REMOVAL OF THE EXISTING CULVERT, CLASS II RIP RAP SHOULD BE PLACED WITHIN THE LIMITS OF THE EXISTING CULVERT, SEE SECTION D-D.



BERM RIP RAPPED



CHANNEL DETAIL SECTION D-D



C SECTION BERM RIP RAPPED

SECTION C-C

PROJECT NO. R-2577A
FORSYTH COUNTY
STATION: 140+39.50 -L-

STATE OF NORTH CAROLINA
DEPARTMENT OF TRANSPORTATION
RALEIGH
STANDARD RIP RAP DETAILS
LEFT LANE

BRIDGE NO. 330815
Professional Engineer Seal: 48850, O. J. PAITEL, 11/10/2023

RK&K
P: (919) 878-9560
8601 Six Forks Road, Forum 1 Suite 700
Raleigh, North Carolina 27615 | NC License No. F-0112
www.rkk.com
Engineers | Construction Managers | Planners | Scientists
Responsive People | Creative Solutions

DOCUMENT NOT CONSIDERED FINAL UNLESS ALL SIGNATURES COMPLETED

REVISIONS				SHEET NO.	
NO.	BY:	DATE:	NO.	BY:	DATE:
1			3		
2			4		

TOTAL SHEETS: 35

11/10/2023 R:\Structures\BRIDGE\LeftBridge\DG\N\FINAL\R2577A_SMU_RR_330815.dgn

DRAWN BY : T. K. BOYD DATE : SEP 2023
CHECKED BY : L. K. AUSTIN DATE : SEP 2023
DESIGN ENGINEER OF RECORD : O. J. PAITEL DATE : SEP 2023