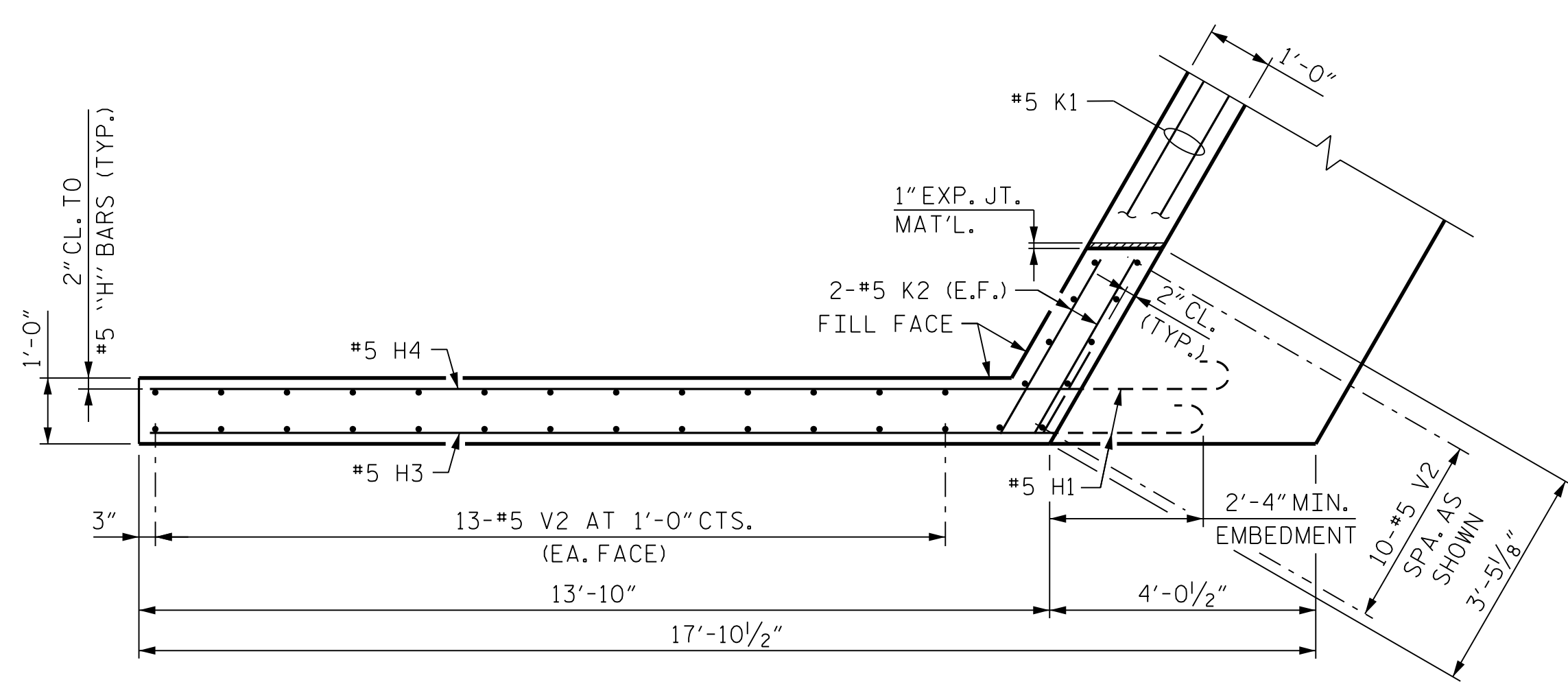
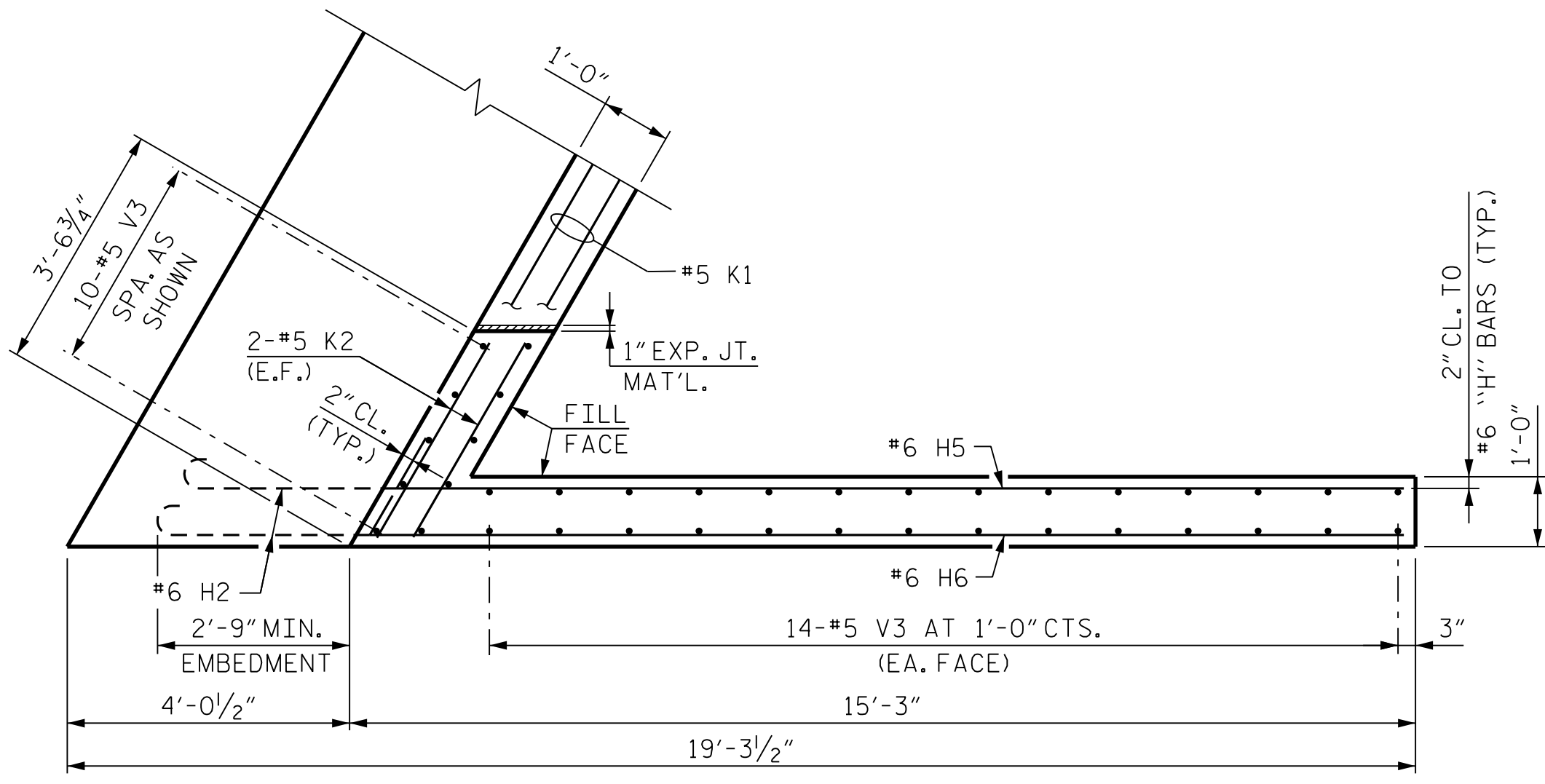


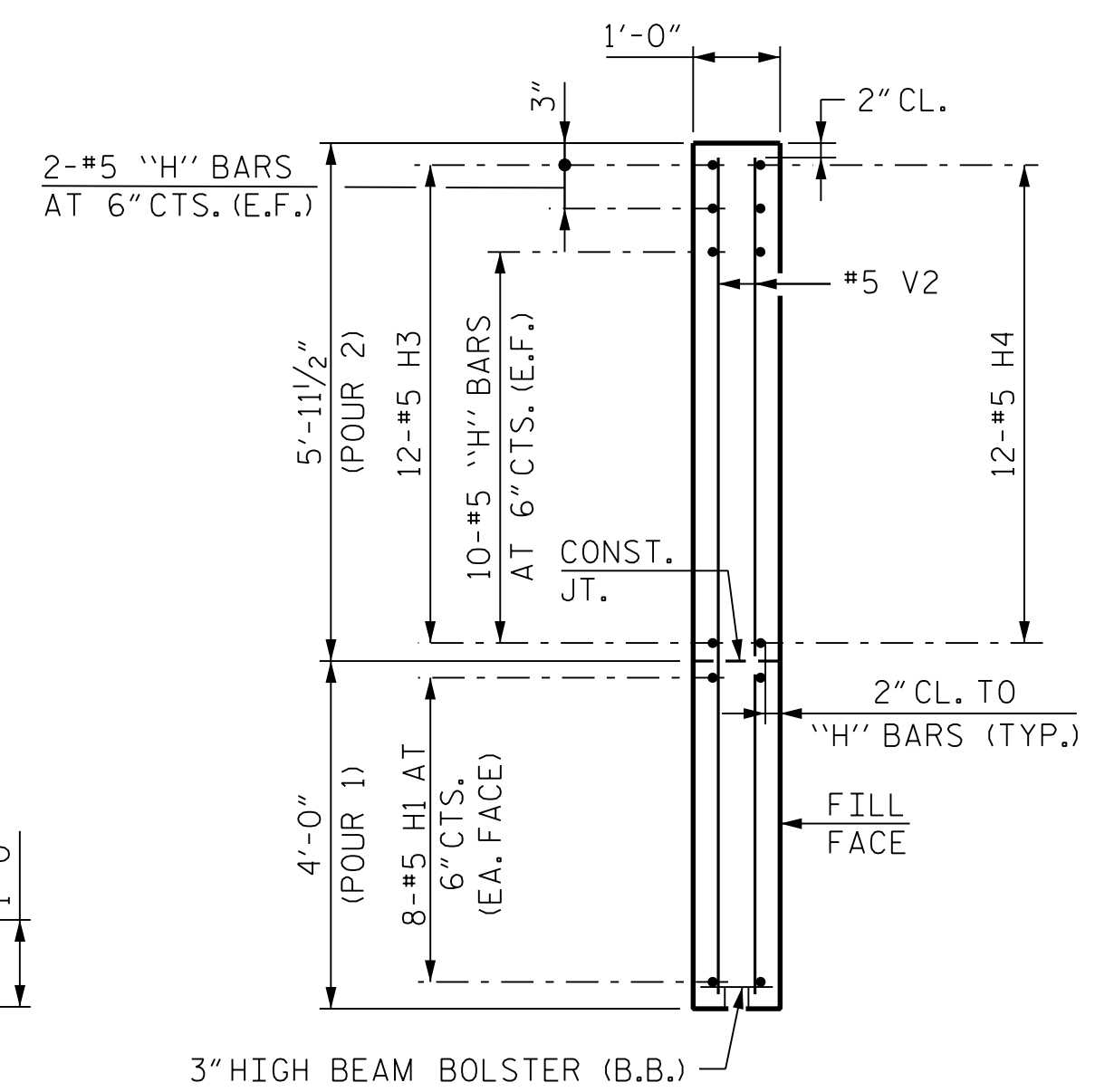
tboyd 11/10/2023 R:\Structures\BRIDGE\LeftBridge\DG\N\FINAL\R2577A\_SMU\_E2B\_330814.dgn



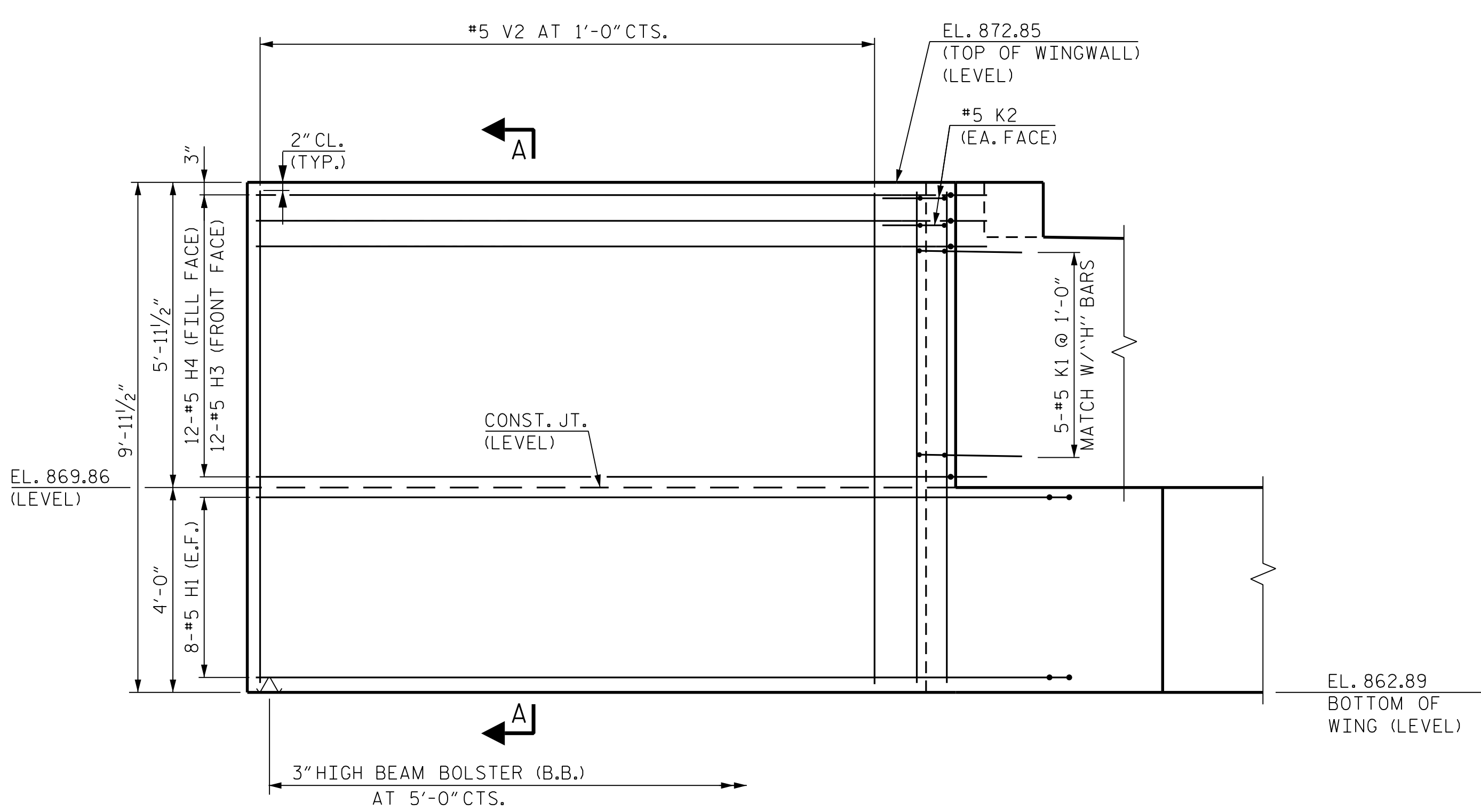
PLAN OF LEFT WINGWALL



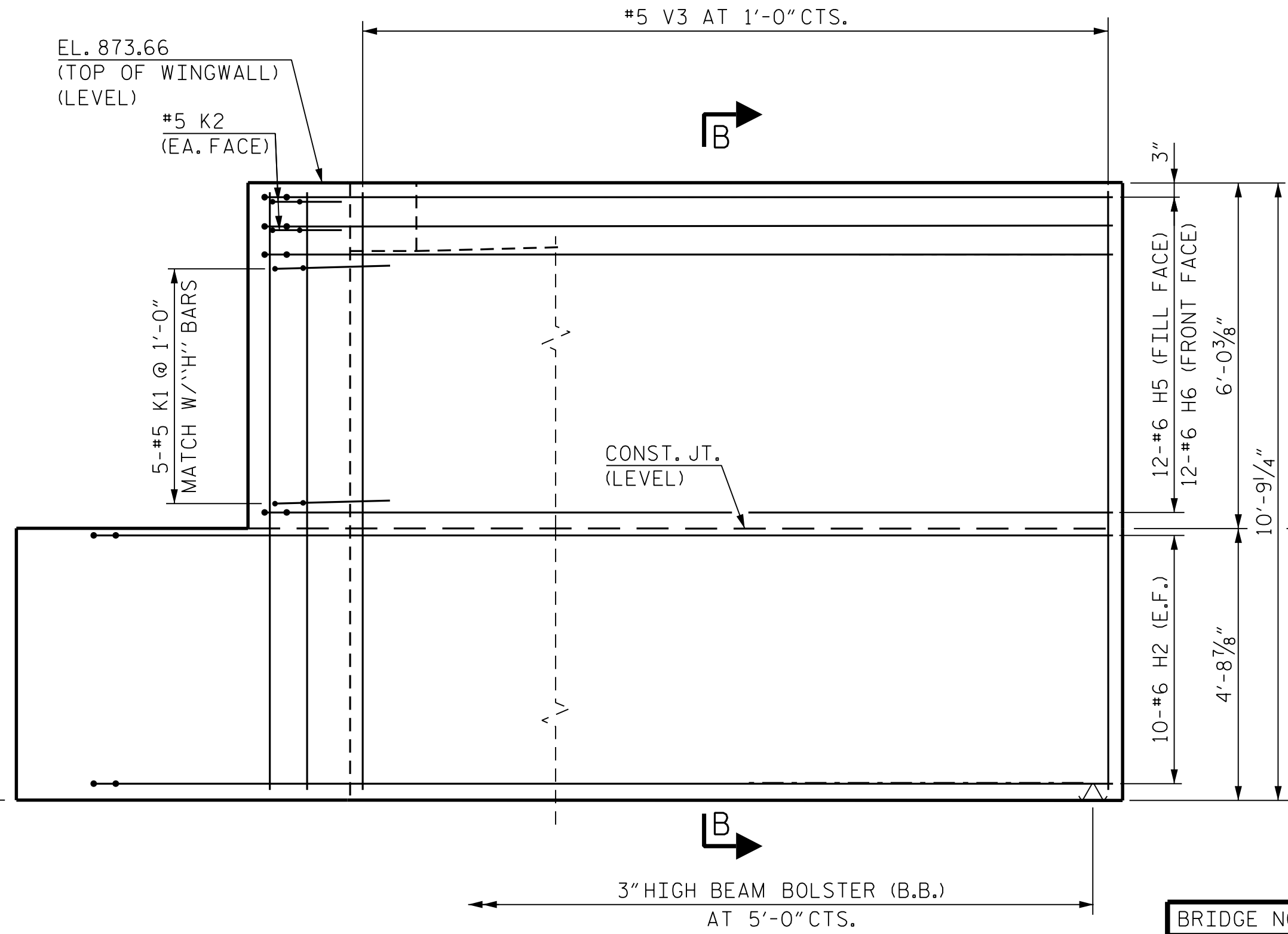
PLAN OF RIGHT WINGWALL



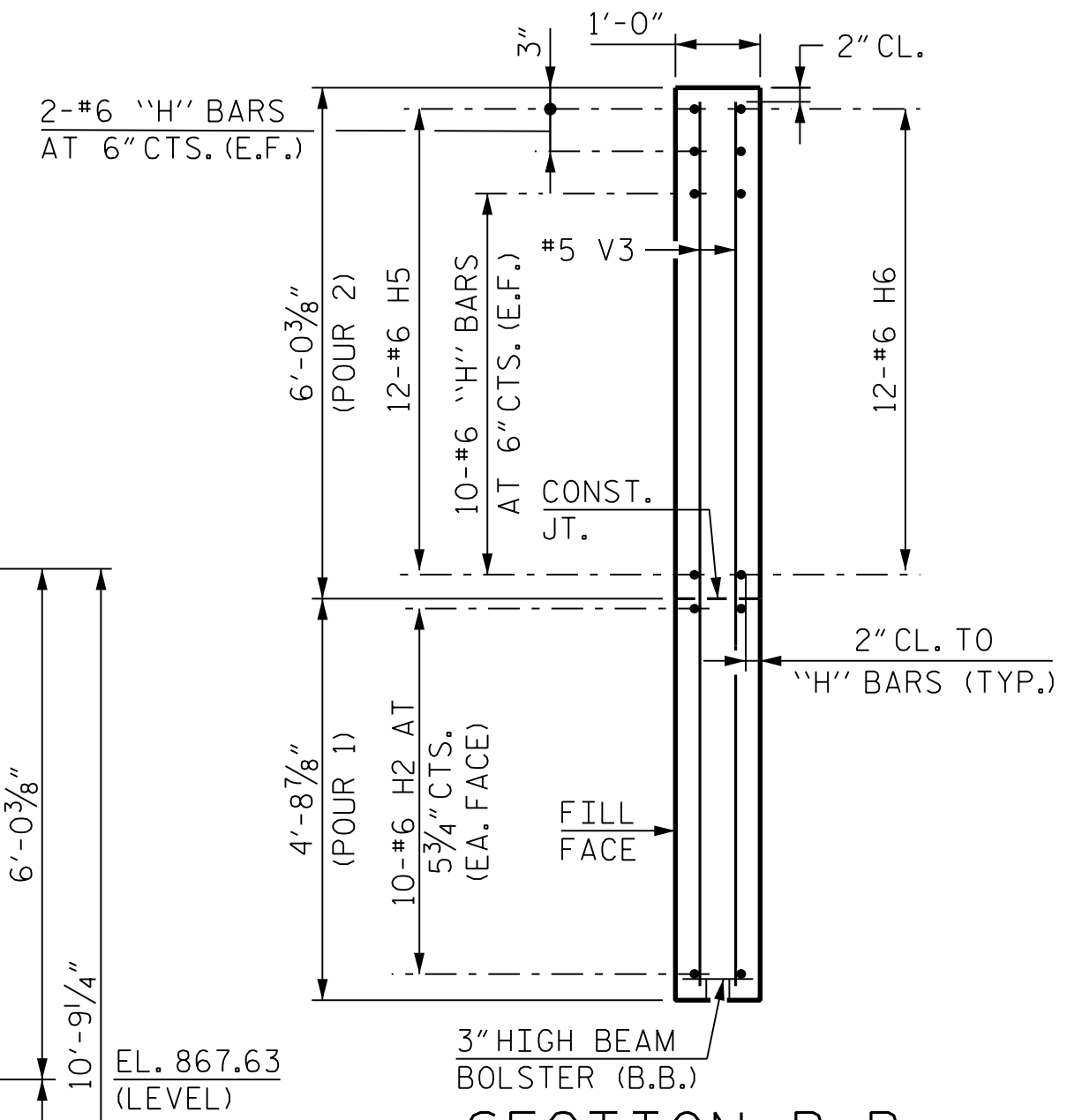
SECTION A-A



ELEVATION OF LEFT WINGWALL  
LEFT WINGWALL DETAILS (W1)



ELEVATION OF RIGHT WINGWALL  
RIGHT WINGWALL DETAILS (W2)

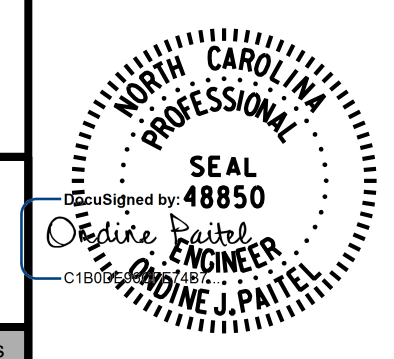


SECTION B-B

PROJECT NO. R-2577A  
 FORSYTH COUNTY  
 STATION: 140+39.50 -L-

SHEET 2 OF 3

BRIDGE NO. 330815



STATE OF NORTH CAROLINA  
 DEPARTMENT OF TRANSPORTATION  
 RALEIGH  
 SUBSTRUCTURE  
 END BENT 2  
 WINGWALL DETAILS  
 LEFT LANE

DRAWN BY : B. A. HAAG DATE : SEP 2023  
 CHECKED BY : L. K. AUSTIN DATE : SEP 2023  
 DESIGN ENGINEER OF RECORD : O. J. PAITEL DATE : SEP 2023

REVISIONS						SHEET NO. SL-30
NO.	BY:	DATE:	NO.	BY:	DATE:	
1			3			TOTAL SHEETS 35
2			4			

**DOCUMENT NOT CONSIDERED FINAL  
 UNLESS ALL SIGNATURES COMPLETED**