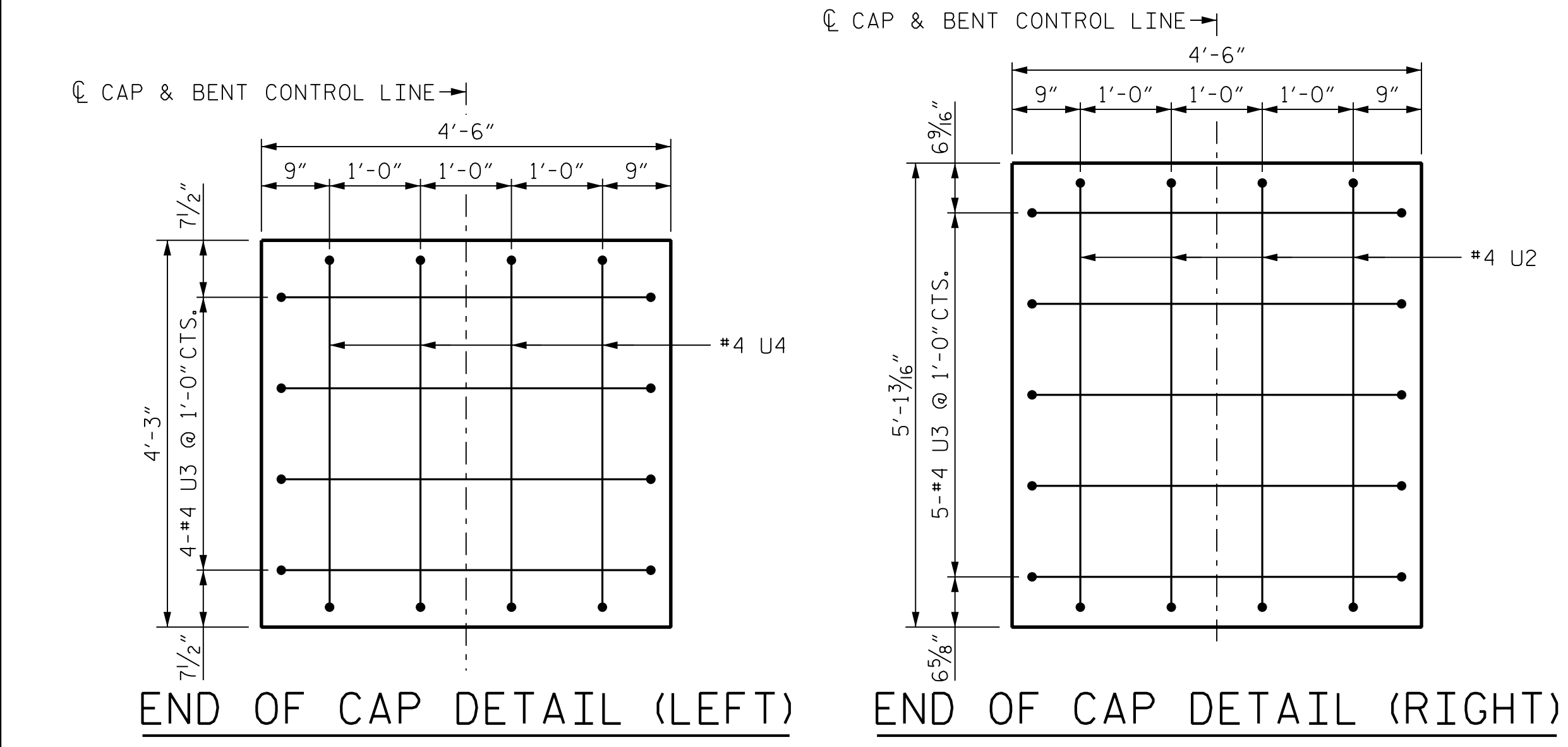


SECTION A-A

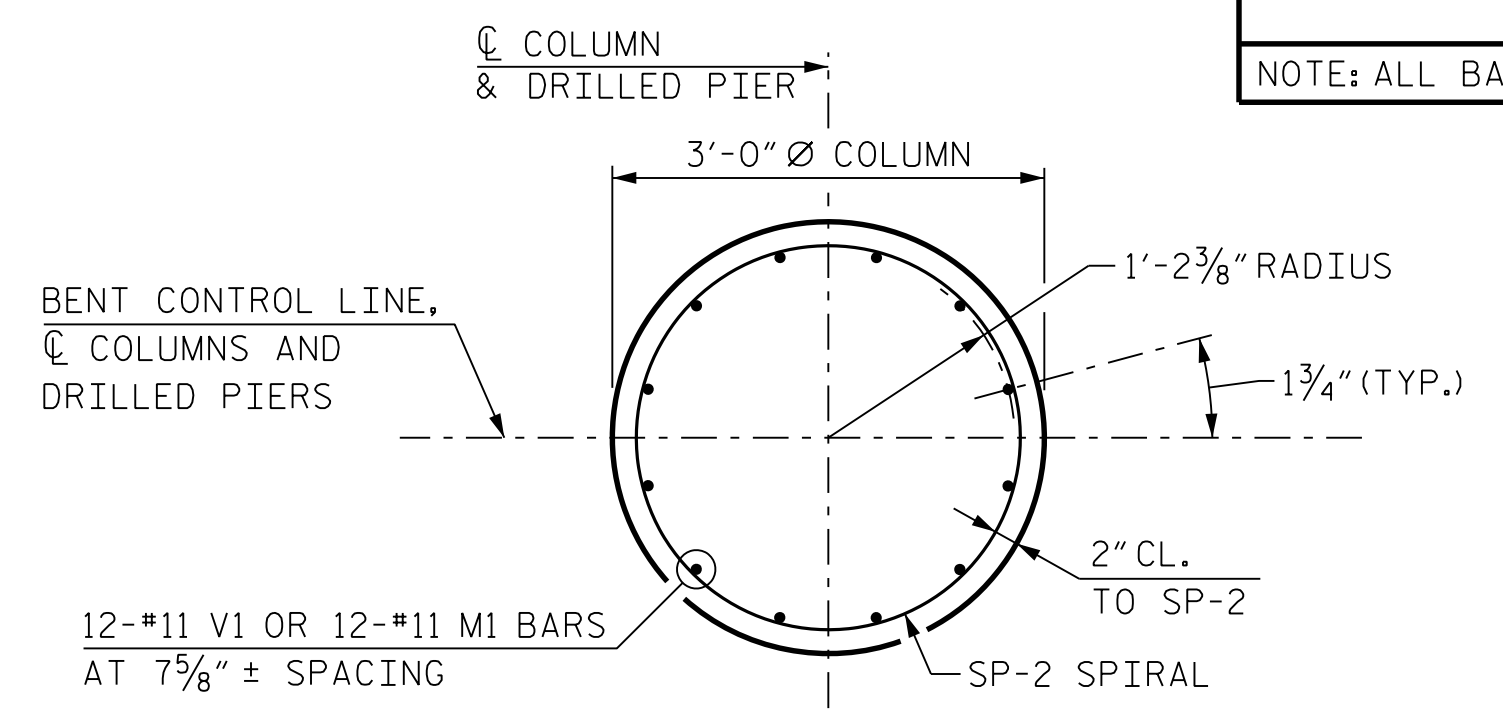
SECTION B-B

SECTION C-C

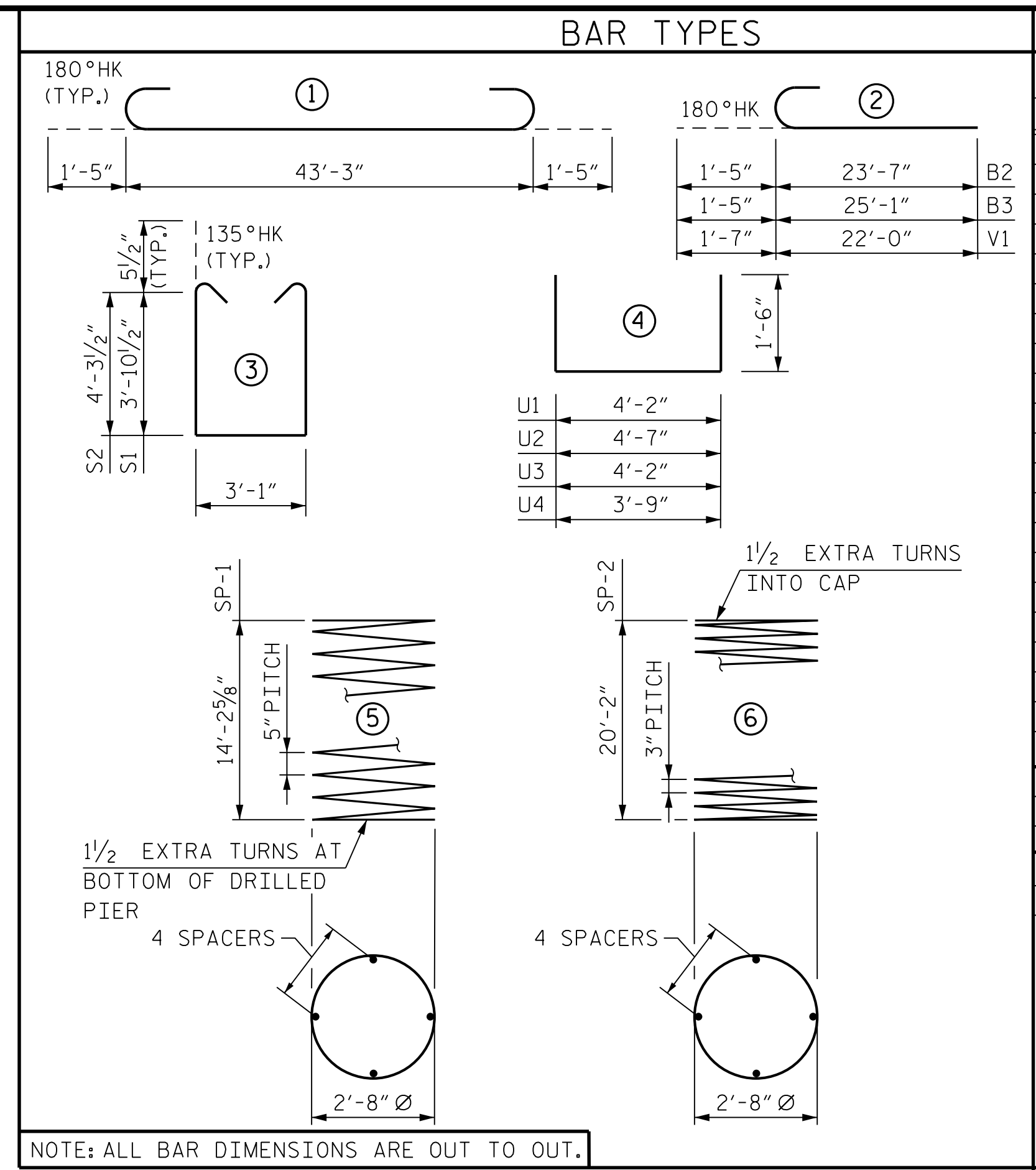


END OF CAP DETAIL (LEFT)

END OF CAP DETAIL (RIGHT)

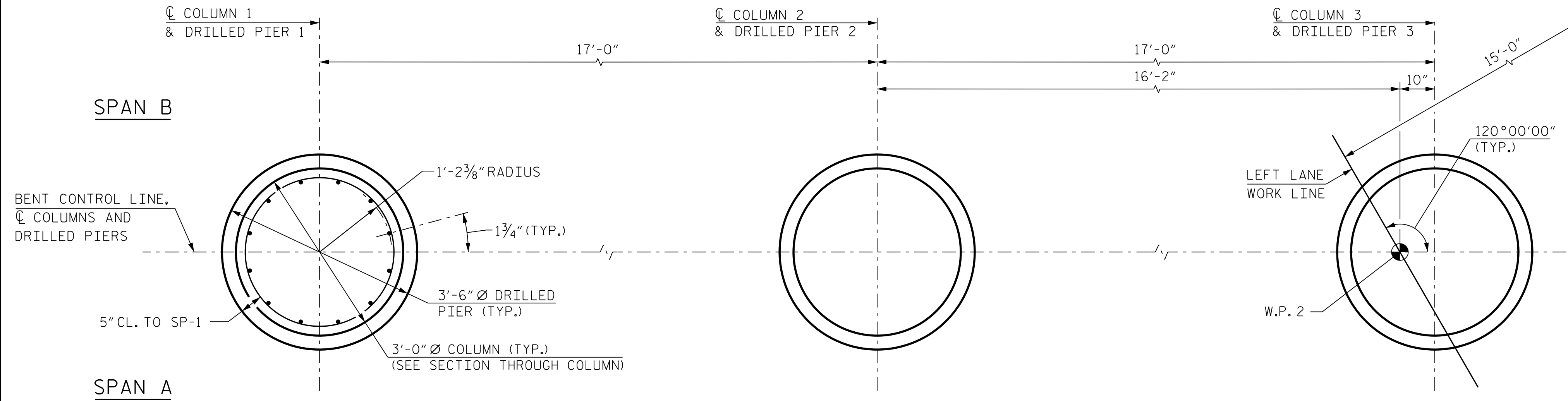


SECTION THROUGH COLUMN



NOTE: ALL BAR DIMENSIONS ARE OUT TO OUT.

CONSTRUCTION JOINT DETAIL



PLAN OF DRILLED PIERS AND COLUMNS

(DETAILS ARE TYPICAL FOR DRILLED PIER AND COLUMN)

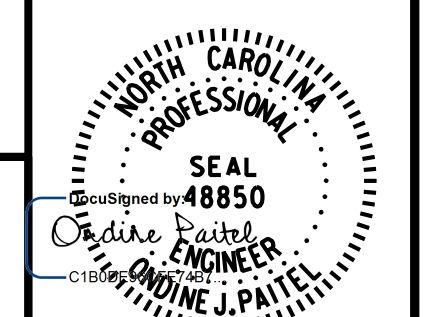
BILL OF MATERIAL					
BENT 1					
BAR	NO.	SIZE	TYPE	LENGTH	WEIGHT
B1	7	#10	1	46'-1"	1,388
B2	5	#10	2	25'-2"	541
B3	5	#10	2	27'-4"	588
B4	16	#5	STR.	43'-3"	722
B6	5	#4	STR.	8'-8"	29
B7	4	#5	STR.	24'-0"	144
M1	36	#11	STR.	22'-6"	4,304
S1	42	#5	3	11'-9"	515
S2	58	#5	3	12'-7"	761
U1	54	#4	4	7'-2"	259
U2	4	#4	4	7'-7"	20
U3	9	#4	4	7'-2"	43
U4	4	#4	4	6'-9"	18
V1	36	#11	2	23'-7"	4,511
REINFORCING STEEL					13,843 LBS.
SP-1	3	*	5	292'-7"	915
SP-2	3	**	6	684'-10"	1,372
SPIRAL COLUMN REINFORCING STEEL					2,287 LBS.
* SP-1 SPIRAL REINFORCING STEEL SHALL BE W31 OR D-31 COLD DRAWN WIRE OR #5 PLAIN OR DEFORMED BAR					
** SP-2 SPIRAL REINFORCING STEEL SHALL BE W20 OR D-20 COLD DRAWN WIRE OR #4 PLAIN OR DEFORMED BAR					

CLASS "A" CONCRETE	
POUR 2 (COLUMNS)	15.7 C.Y.
POUR 3 (CAP)	33.9 C.Y.
TOTAL	49.6 C.Y.
DRILLED PIERS	
POUR 1 (DRILLED PIER CONCRETE)	15.8 C.Y.

PROJECT NO. R-2577A
 FORSYTH COUNTY
 STATION: 140+39.50 -L-

SHEET 2 OF 2

BRIDGE NO. 330815



RK&K
 P: (919) 878-9560
 8601 Six Forks Road, Forum 1 Suite 700
 Raleigh, North Carolina 27615 | NC License No. F-0112
 Engineers | Construction Managers | Planners | Scientists
 www.rk.com

11/10/2023

STATE OF NORTH CAROLINA
 DEPARTMENT OF TRANSPORTATION
 RALEIGH
 SUBSTRUCTURE
 BENT 1
 DETAILS AND
 BILL OF MATERIAL
 LEFT LANE

REVISIONS					
NO.	BY:	DATE:	NO.	BY:	DATE:
1			3		
2			4		

SHEET NO.
 SL-28
 TOTAL SHEETS
 35

DOCUMENT NOT CONSIDERED FINAL
 UNLESS ALL SIGNATURES COMPLETED

tboyd 11/10/2023 R:\Structures\BRIDGE\LeftBridge\VDGN\FINAL\R2577A_SMU_BIB_330815.dgn

DRAWN BY : T.K. BOYD DATE : SEP 2023
 CHECKED BY : L.K. AUSTIN DATE : SEP 2023
 DESIGN ENGINEER OF RECORD : O.J. PAATEL DATE : SEP 2023