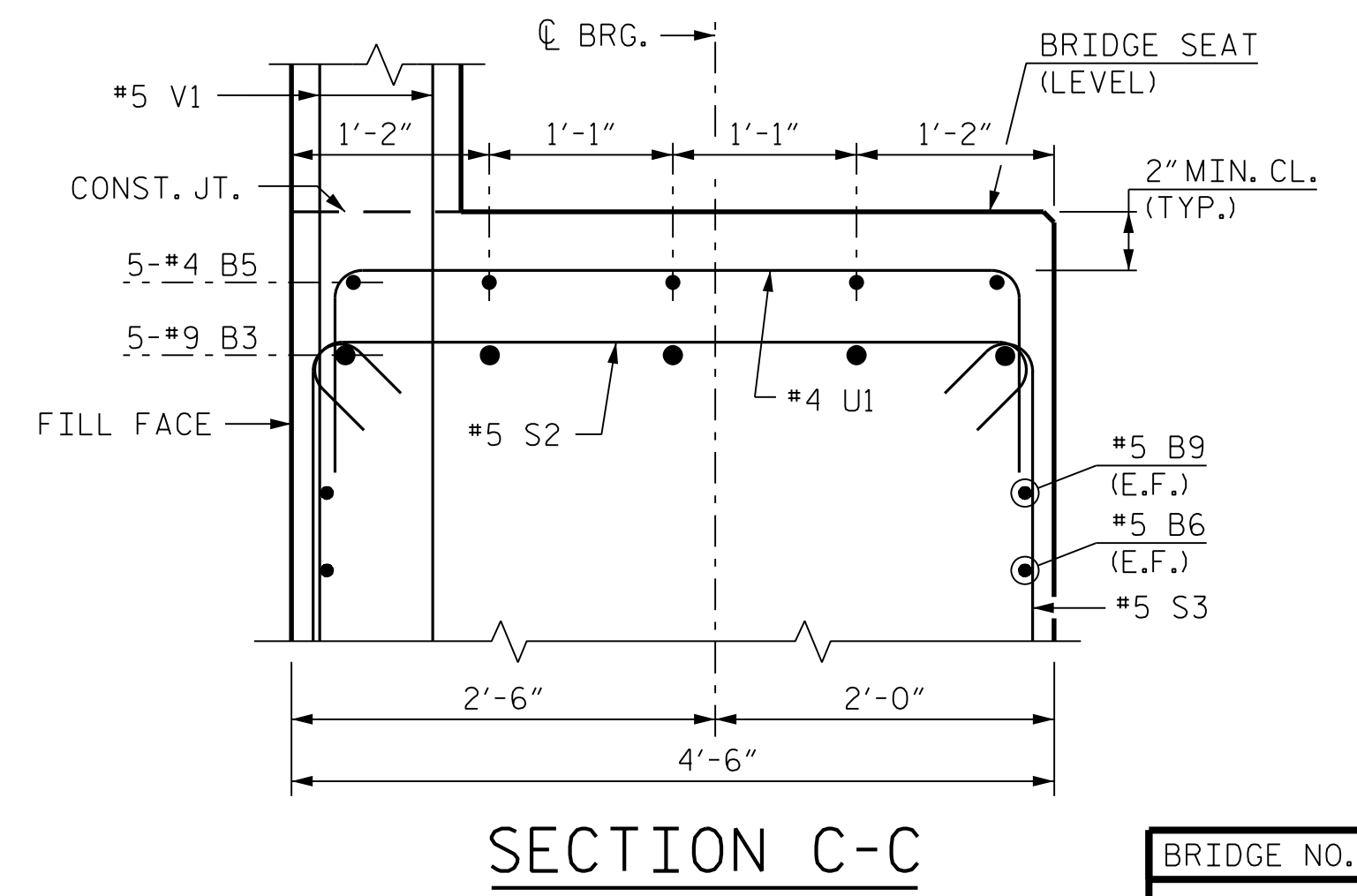
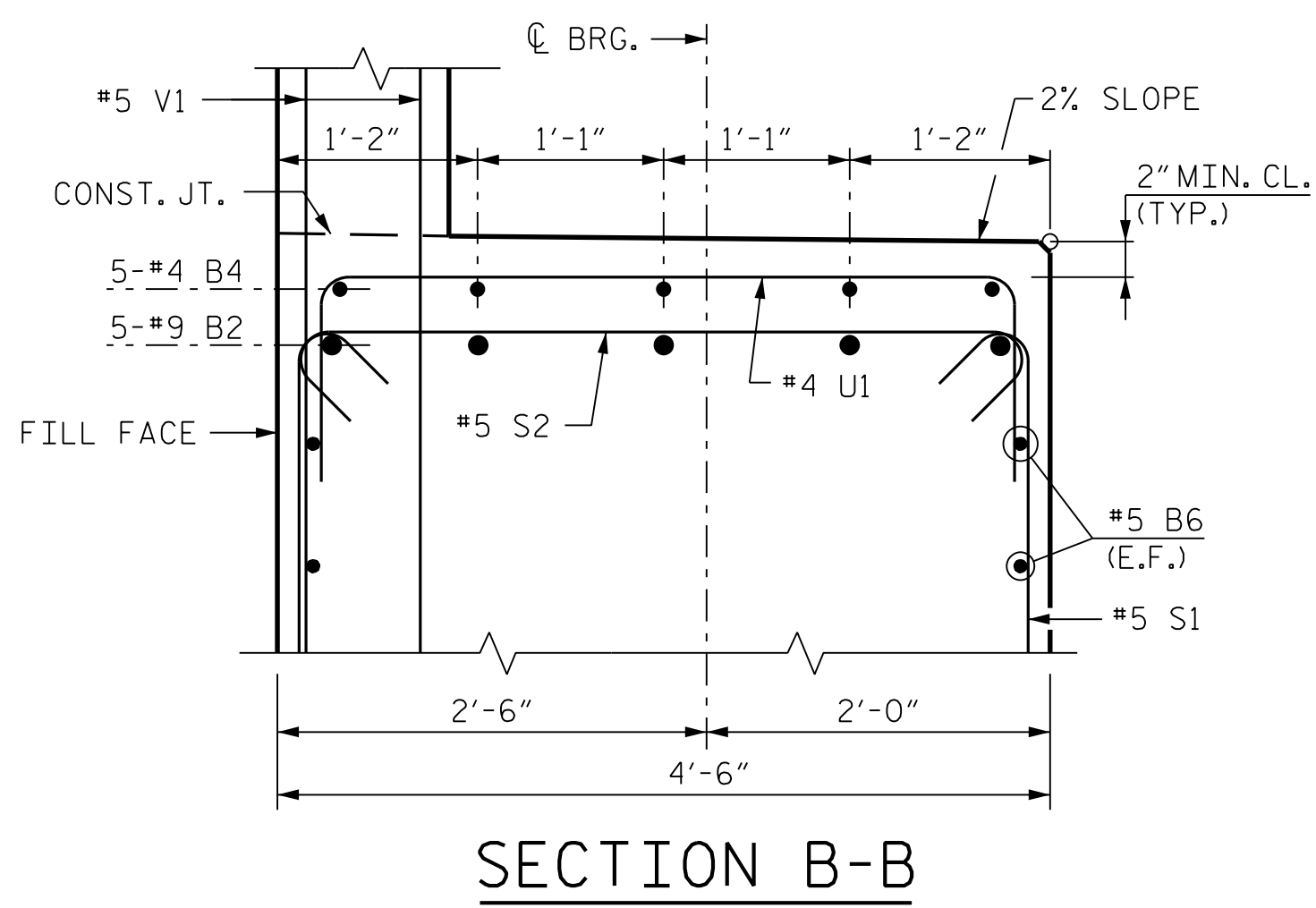
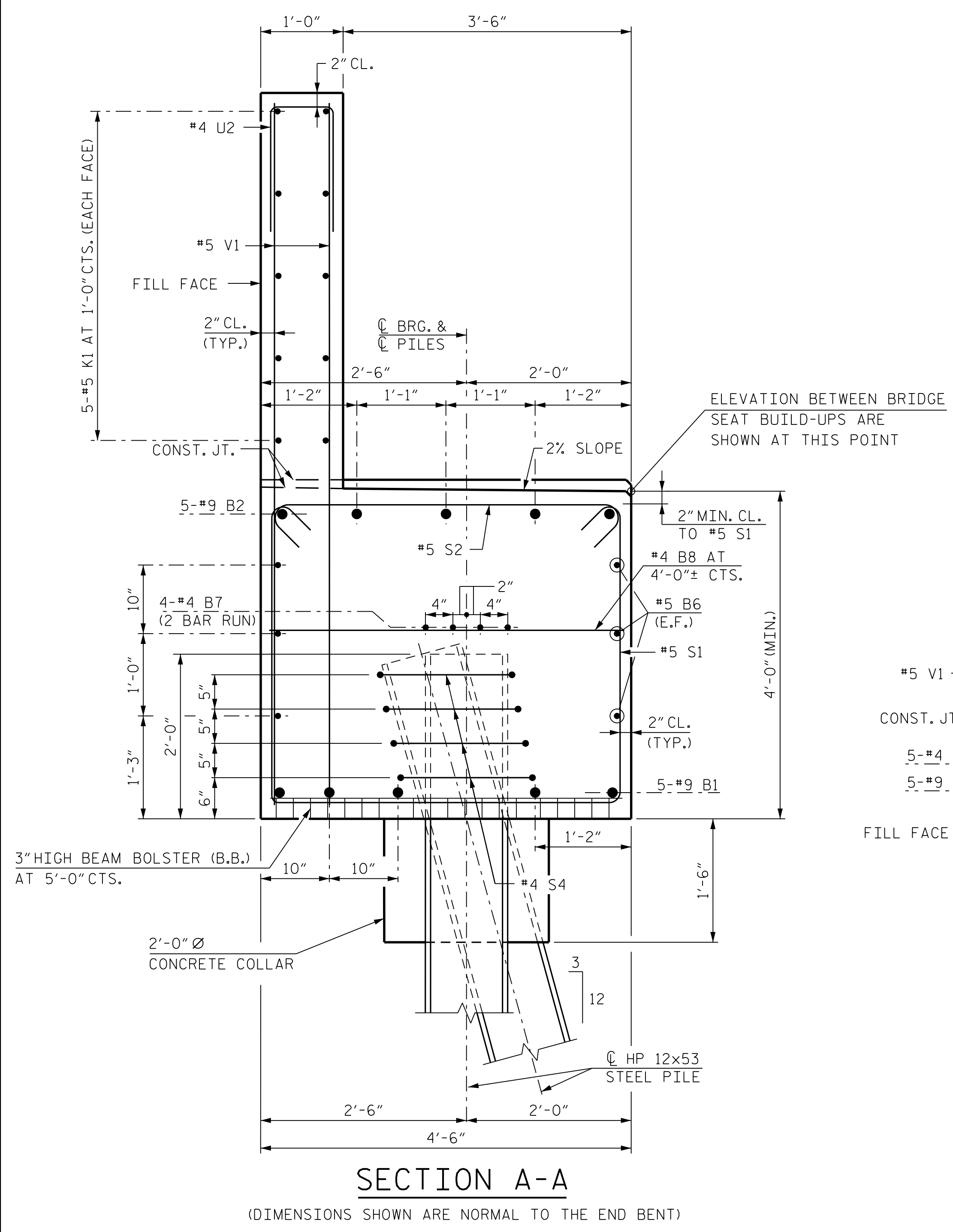


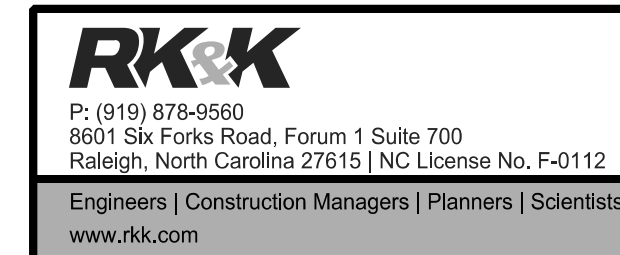
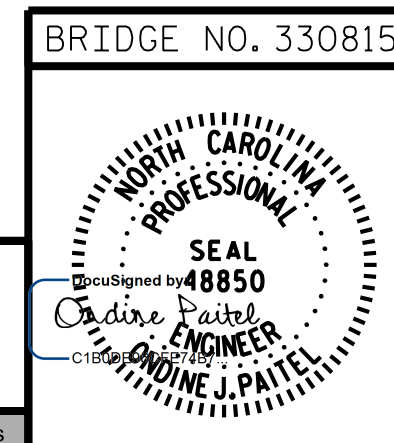
BILL OF MATERIAL					
END BENT 1					
BAR	NO.	SIZE	TYPE	LENGTH	WEIGHT
B1	5	#9	1	54'-6"	927
B2	5	#9	2	29'-6"	502
B3	5	#9	2	30'-6"	519
B4	5	#4	STR.	13'-0"	43
B5	5	#4	STR.	10'-2"	34
B6	6	#5	STR.	52'-0"	325
B7	8	#4	STR.	27'-4"	146
B8	14	#4	STR.	4'-2"	39
B9	2	#5	STR.	22'-11"	48
H1	16	#6	2	17'-0"	409
H2	12	#4	2	18'-6"	148
H3	13	#6	7	14'-4"	280
H4	13	#6	7	13'-11"	272
H5	8	#4	6	16'-7"	89
H6	8	#4	6	16'-2"	86
K1	10	#5	STR.	52'-2"	544
K2	10	#5	STR.	3'-1"	32
S1	39	#5	3	12'-4"	502
S2	86	#5	4	5'-1"	456
S3	47	#5	3	13'-11"	682
S4	32	#4	5	6'-6"	139
S5	3	#6	10	5'-2"	23
S6	3	#6	9	9'-9"	44
U1	14	#4	8	9'-2"	86
U2	46	#4	8	5'-8"	174
V1	92	#5	STR.	8'-6"	816
V2	24	#5	STR.	9'-8"	242
V3	12	#5	STR.	9'-10"	123
V4	26	#5	STR.	10'-10"	294
V5	14	#5	STR.	11'-1"	162
REINFORCING STEEL				8,186 LBS.	
CLASS "A" CONCRETE					
POUR 1 (CAP, COLLARS & LOWER WINGS)				46.2 C.Y.	
POUR 2 (BACKWALL & UPPER WINGS)				25.2 C.Y.	
TOTAL				71.4 C.Y.	



PROJECT NO. R-2577A  
 FORSYTH COUNTY  
 STATION: 140+39.50 -L-

SHEET 3 OF 3

STATE OF NORTH CAROLINA  
 DEPARTMENT OF TRANSPORTATION  
 RALEIGH  
 SUBSTRUCTURE  
 END BENT 1  
 MISCELLANEOUS DETAILS  
 AND BILL OF MATERIAL  
 LEFT LANE



11/10/2023  
 DOCUMENT NOT CONSIDERED FINAL  
 UNLESS ALL SIGNATURES COMPLETED

REVISIONS					
NO.	BY:	DATE:	NO.	BY:	DATE:
1			3		
2			4		

SHEET NO. SL-26  
 TOTAL SHEETS 35

11/10/2023 R:\Structures\BRIDGE\LeftBridge\DG\N\FINAL\R2577A\_SMU\_EIC\_330814.dgn  
 tboyd

DRAWN BY : B. A. HAAG  
 CHECKED BY : L. K. AUSTIN  
 DESIGN ENGINEER OF RECORD : O. J. PAATEL  
 DATE : SEP 2023  
 DATE : SEP 2023  
 DATE : SEP 2023