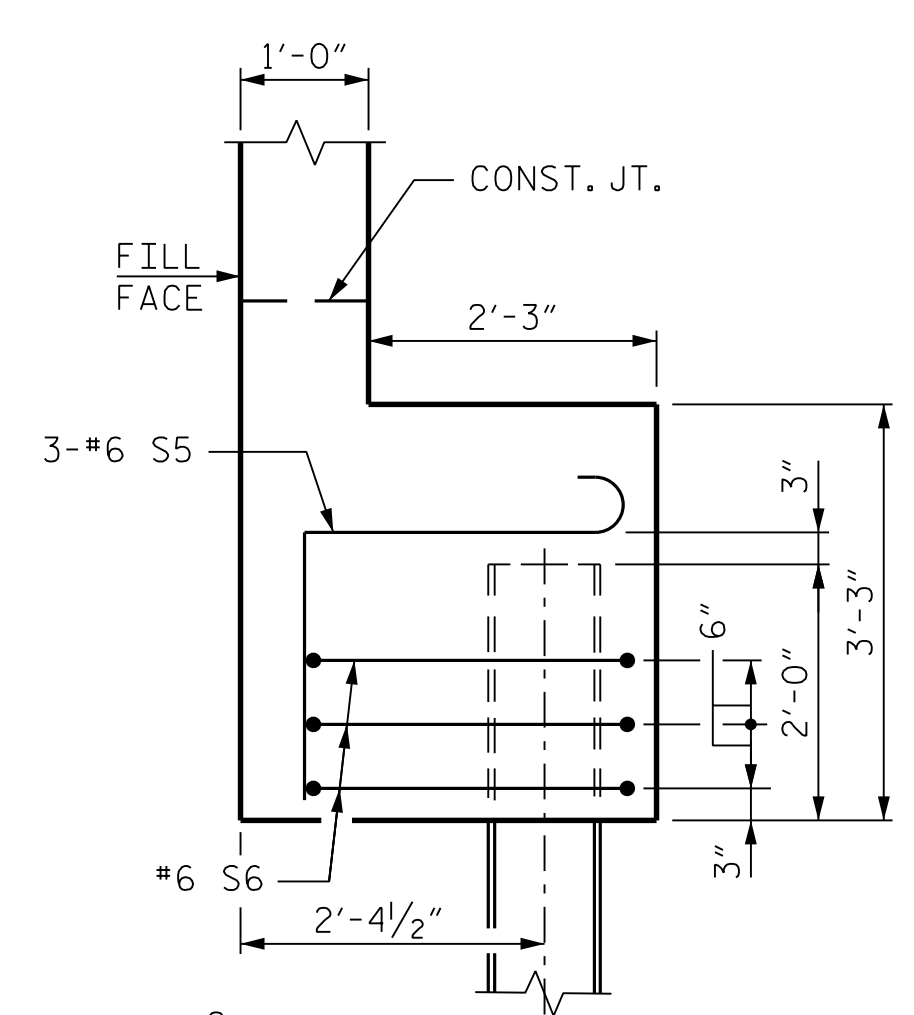
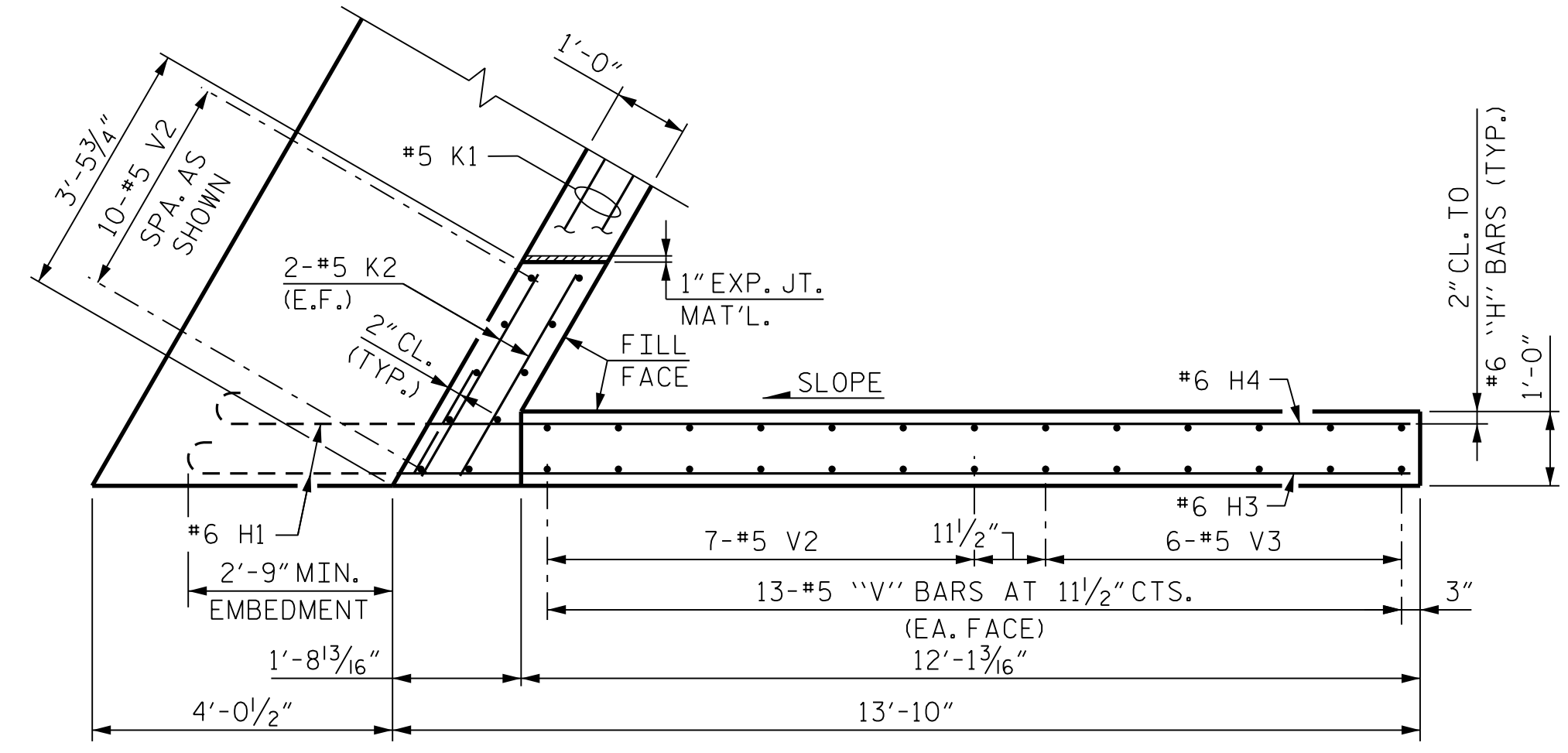


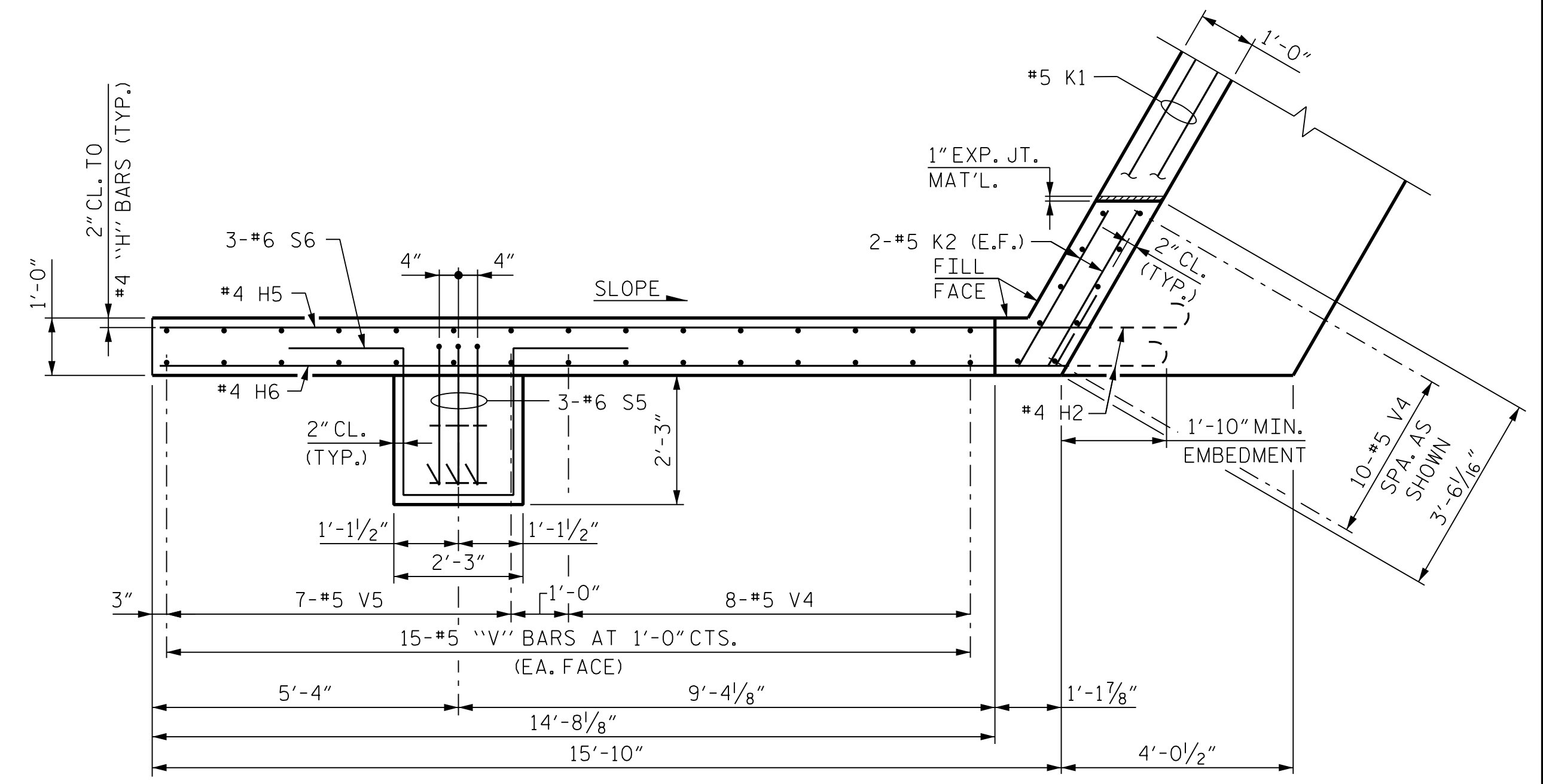
tboyd 11/10/2023 R:\Structures\BRIDGE\LeftBridge\DG\N\FINAL\R2577A\_SMU\_EIB\_330814.dgn



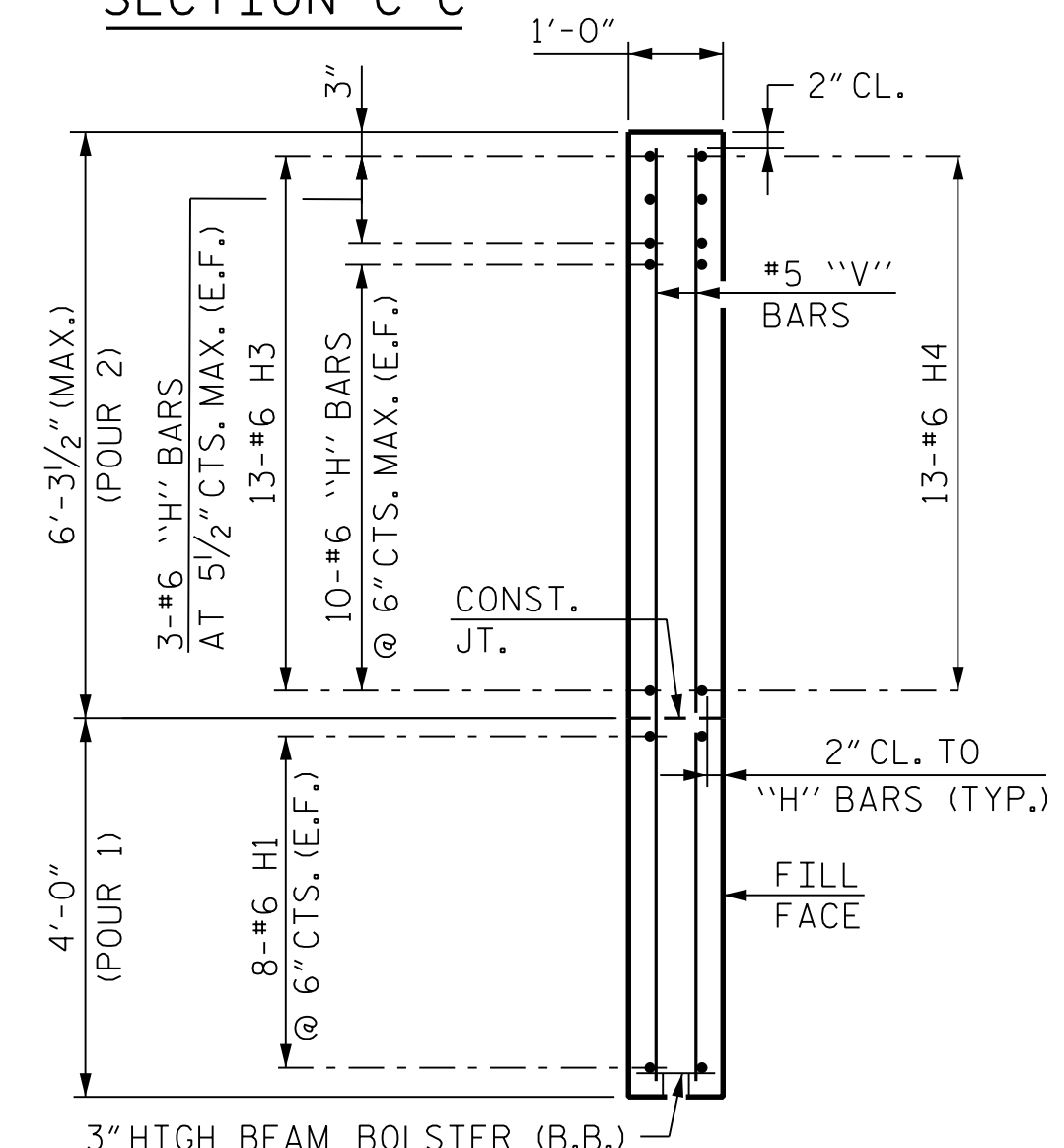
SECTION C-C  
 HP 12x53 VERTICAL STEEL PILE



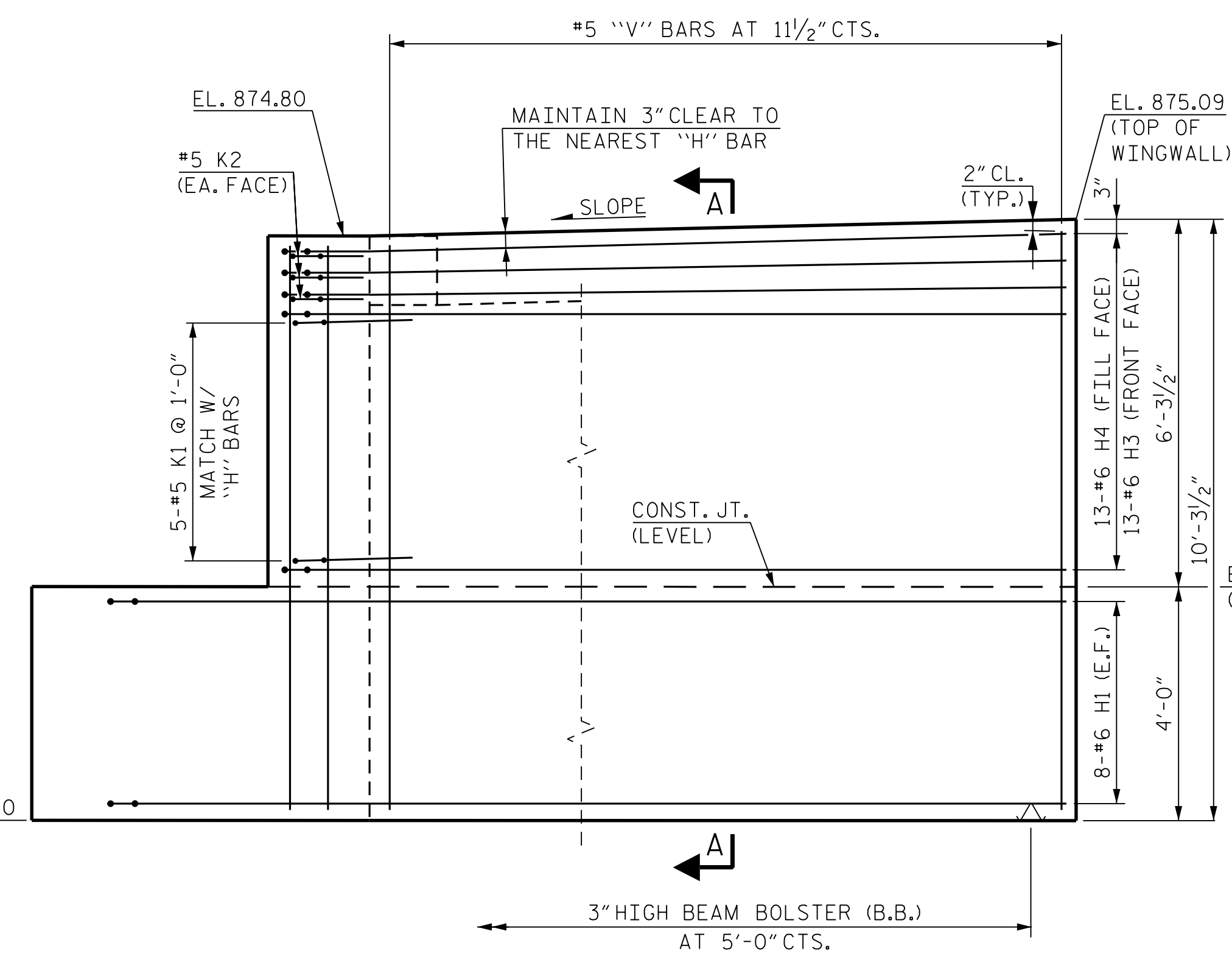
PLAN OF LEFT WINGWALL



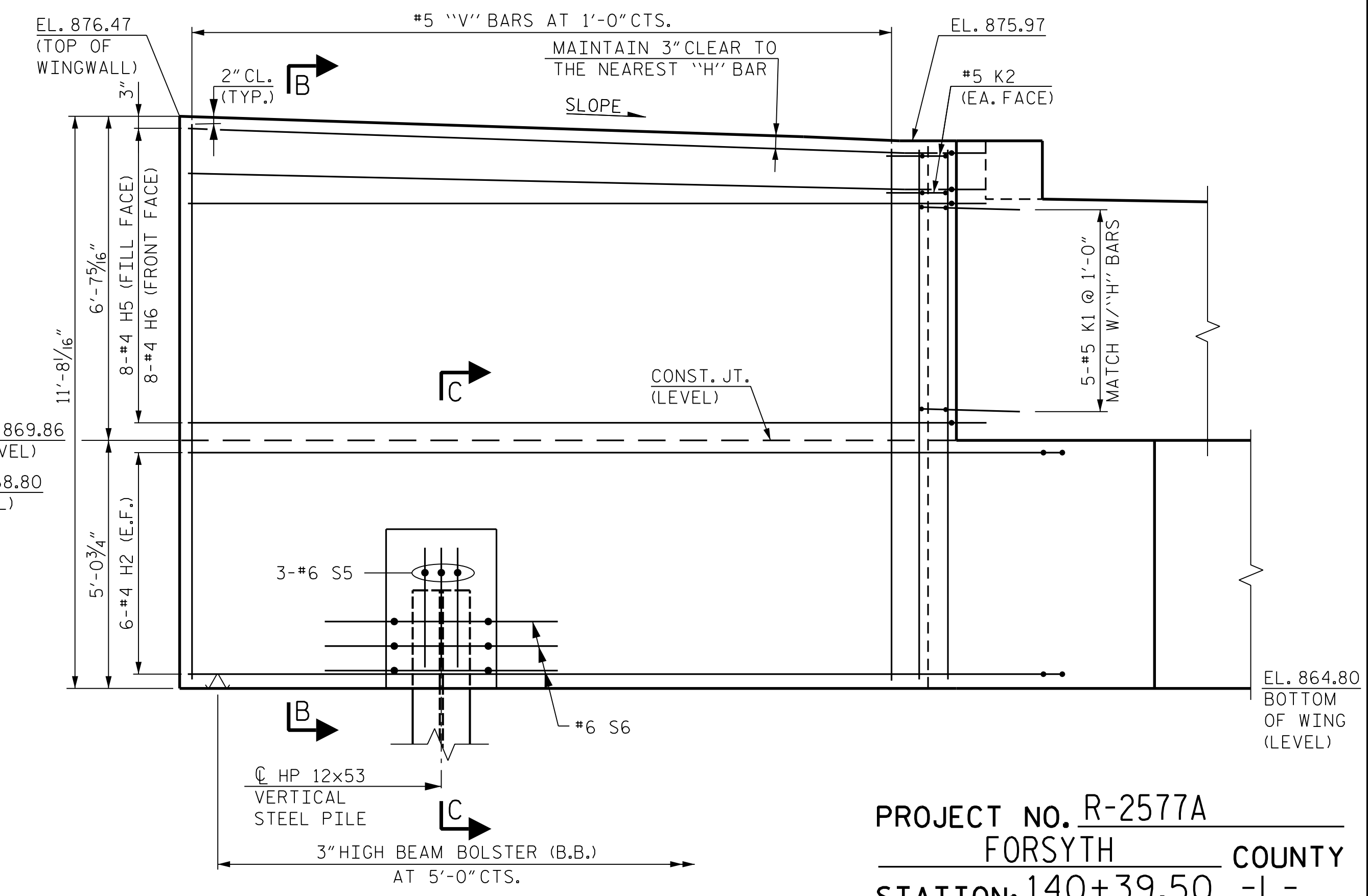
PLAN OF RIGHT WINGWALL



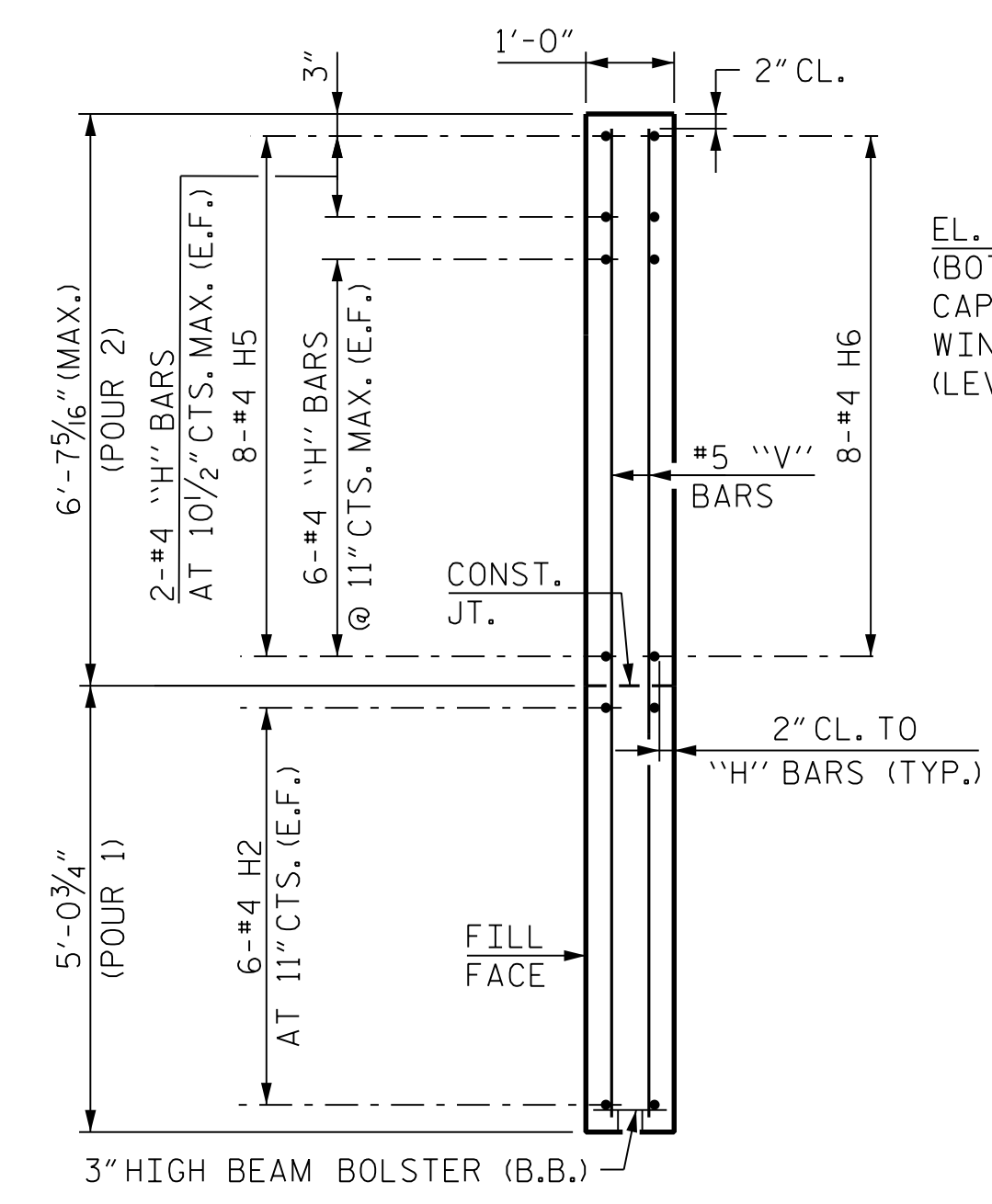
SECTION A-A



ELEVATION OF LEFT WINGWALL  
 LEFT WINGWALL DETAILS (W1)



ELEVATION OF RIGHT WINGWALL  
 RIGHT WINGWALL DETAILS (W2)

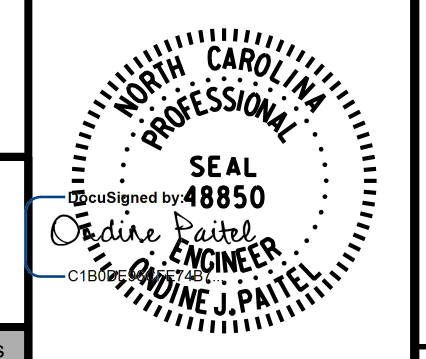


SECTION B-B

PROJECT NO. R-2577A  
 FORSYTH COUNTY  
 STATION: 140+39.50 -L-

SHEET 2 OF 3

BRIDGE NO. 330815



**RK&K**  
 P: (919) 878-9560  
 8601 Six Forks Road, Forum 1 Suite 700  
 Raleigh, North Carolina 27615 | NC License No. F-0112  
 Engineers | Construction Managers | Planners | Scientists  
 www.rkk.com

STATE OF NORTH CAROLINA  
 DEPARTMENT OF TRANSPORTATION  
 RALEIGH  
**SUBSTRUCTURE**  
 END BENT 1  
**WINGWALL DETAILS**  
 LEFT LANE

DRAWN BY : B. A. HAAG DATE : SEP 2023  
 CHECKED BY : L. K. AUSTIN DATE : SEP 2023  
 DESIGN ENGINEER OF RECORD : O. J. PAITEL DATE : SEP 2023

REVISIONS						SHEET NO.
NO.	BY:	DATE:	NO.	BY:	DATE:	SL-25
1			3			TOTAL SHEETS
2			4			35

DOCUMENT NOT CONSIDERED FINAL  
 UNLESS ALL SIGNATURES COMPLETED