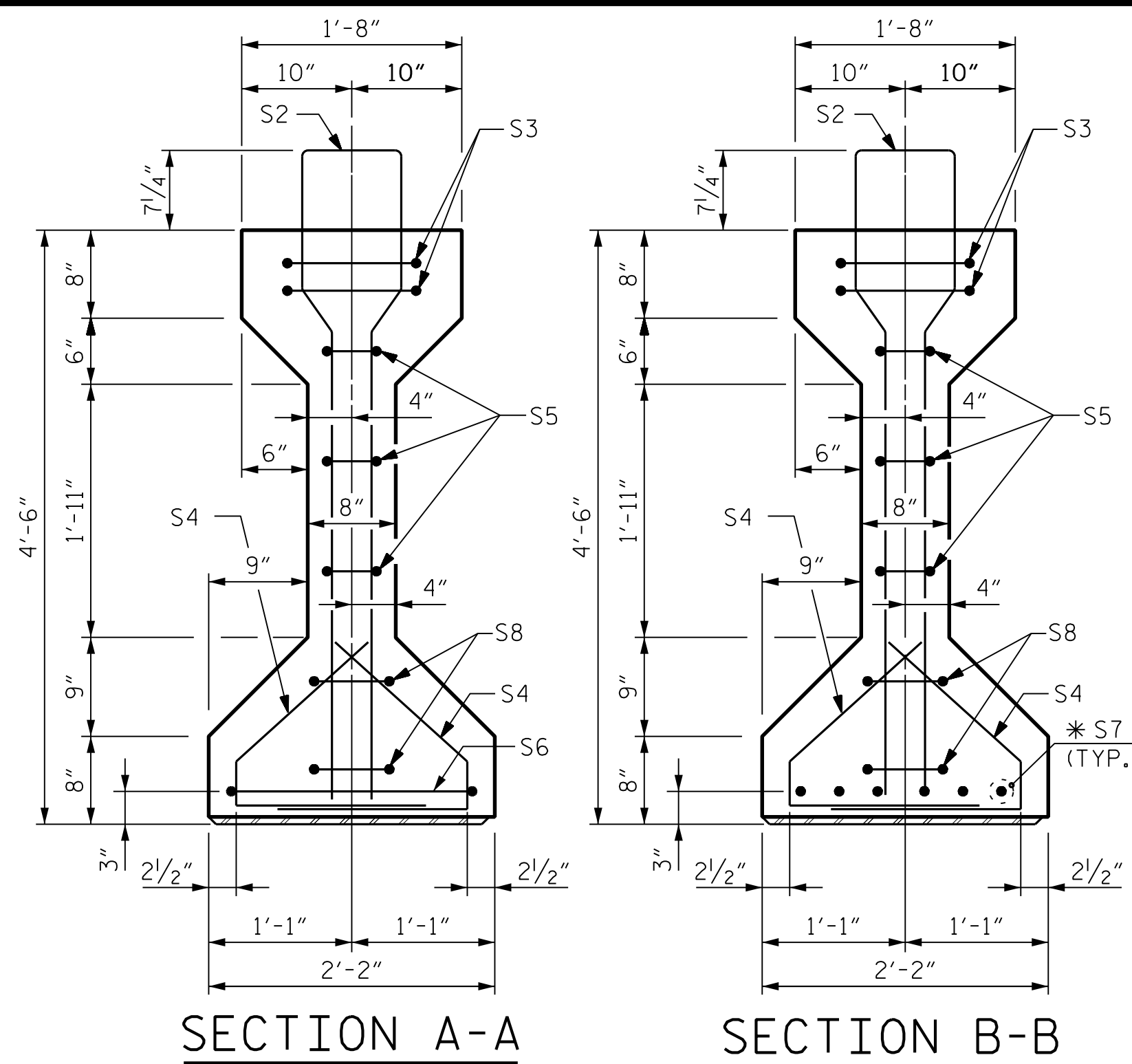
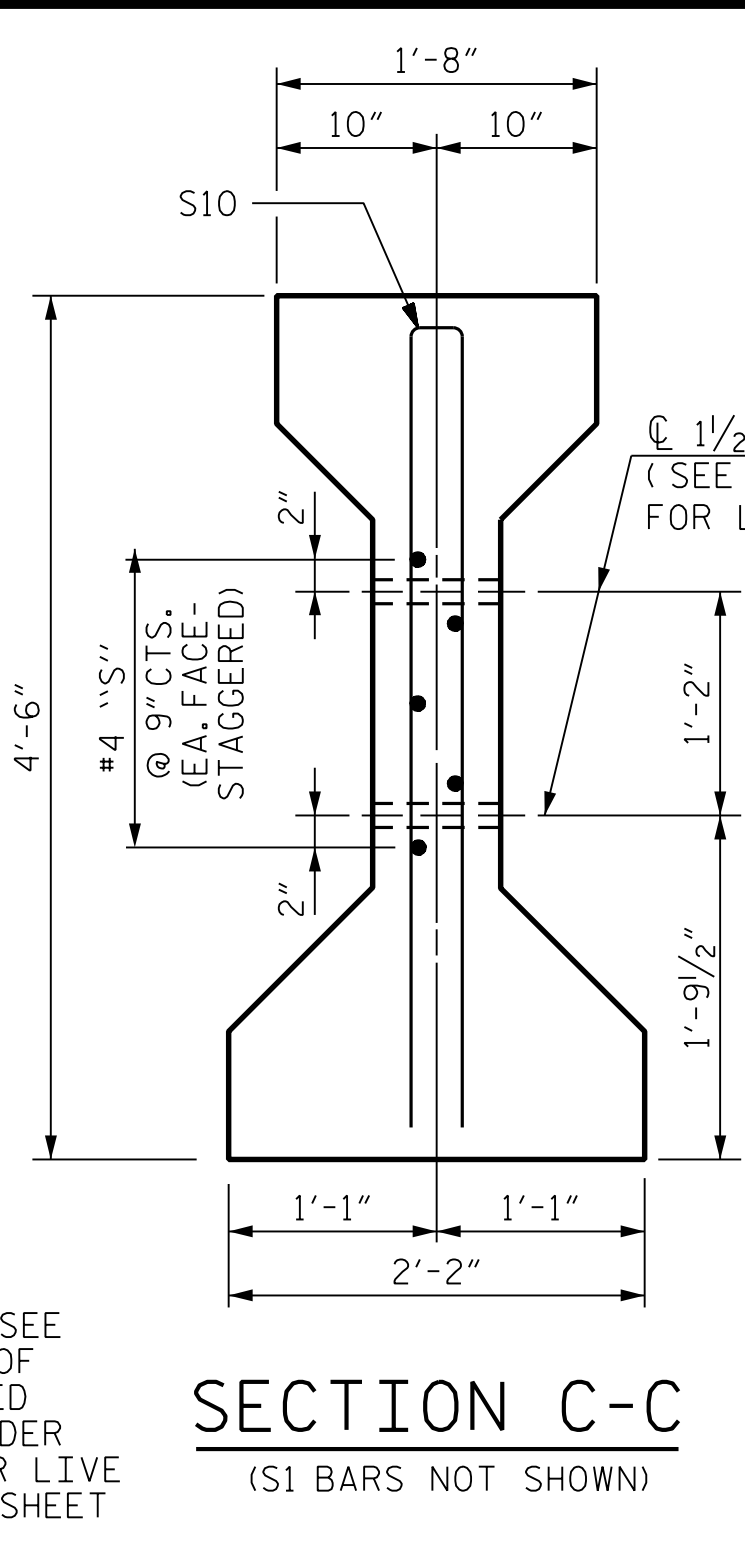


11/10/2023 R:\Structures\BRIDGE\LeftBridge\GDN\FINAL\R2577A\_SMU\_G1\_330814.dgn

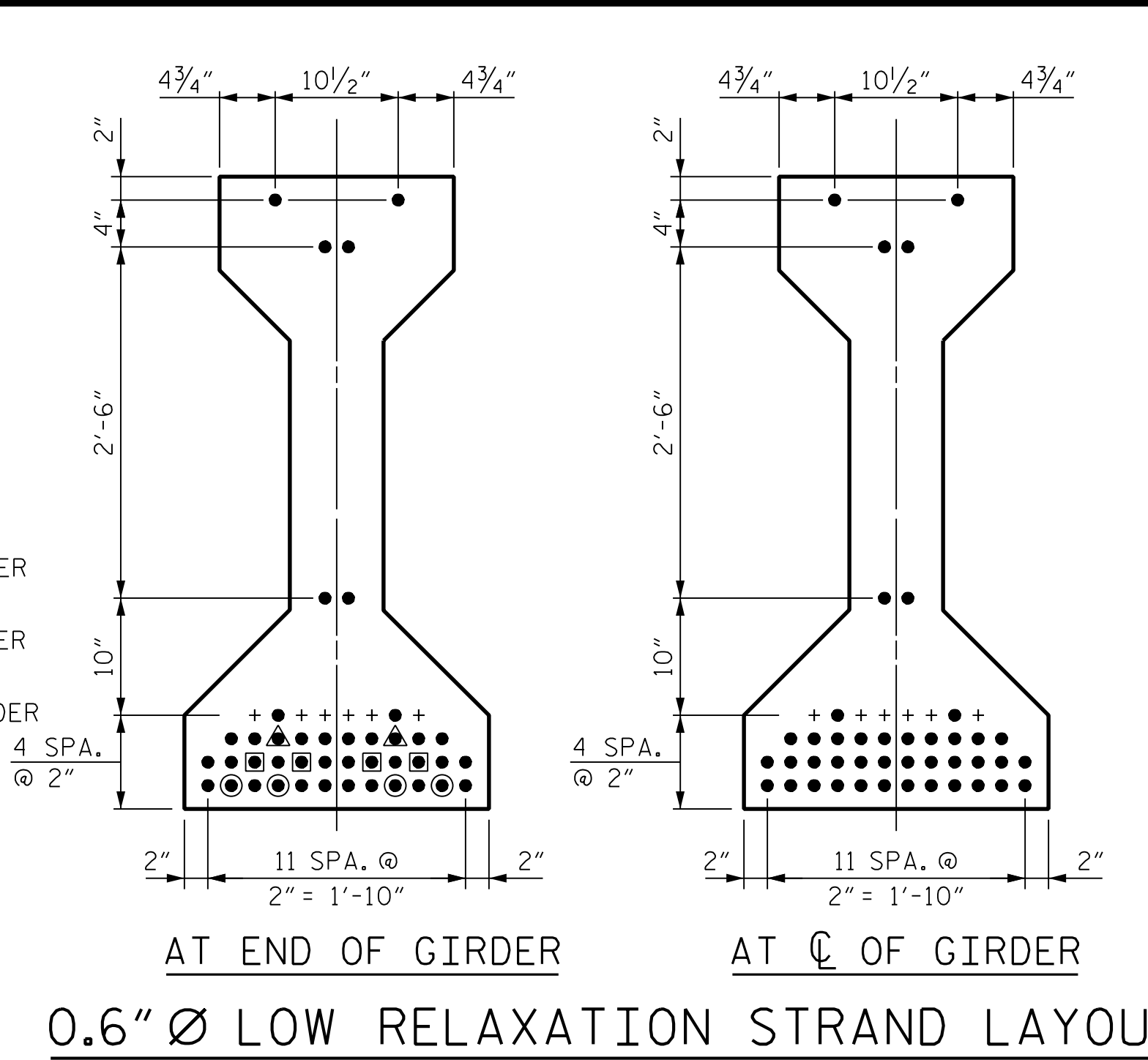


\* FOR S7 BARS, SEE  
DETAIL "A" OF  
PRESTRESSED  
CONCRETE GIRDER  
CONTINUOUS FOR LIVE  
LOAD DETAILS SHEET



**SECTION C-C**  
(S1 BARS NOT SHOWN)

- DEBONDING LEGEND**
- FULLY BONDED STRANDS
  - ▲ STRANDS DEBONDED FOR 6'-0" FROM END OF GIRDER
  - STRANDS DEBONDED FOR 8'-0" FROM END OF GIRDER
  - STRAND DEBONDED FOR 10'-0" FROM END OF GIRDER



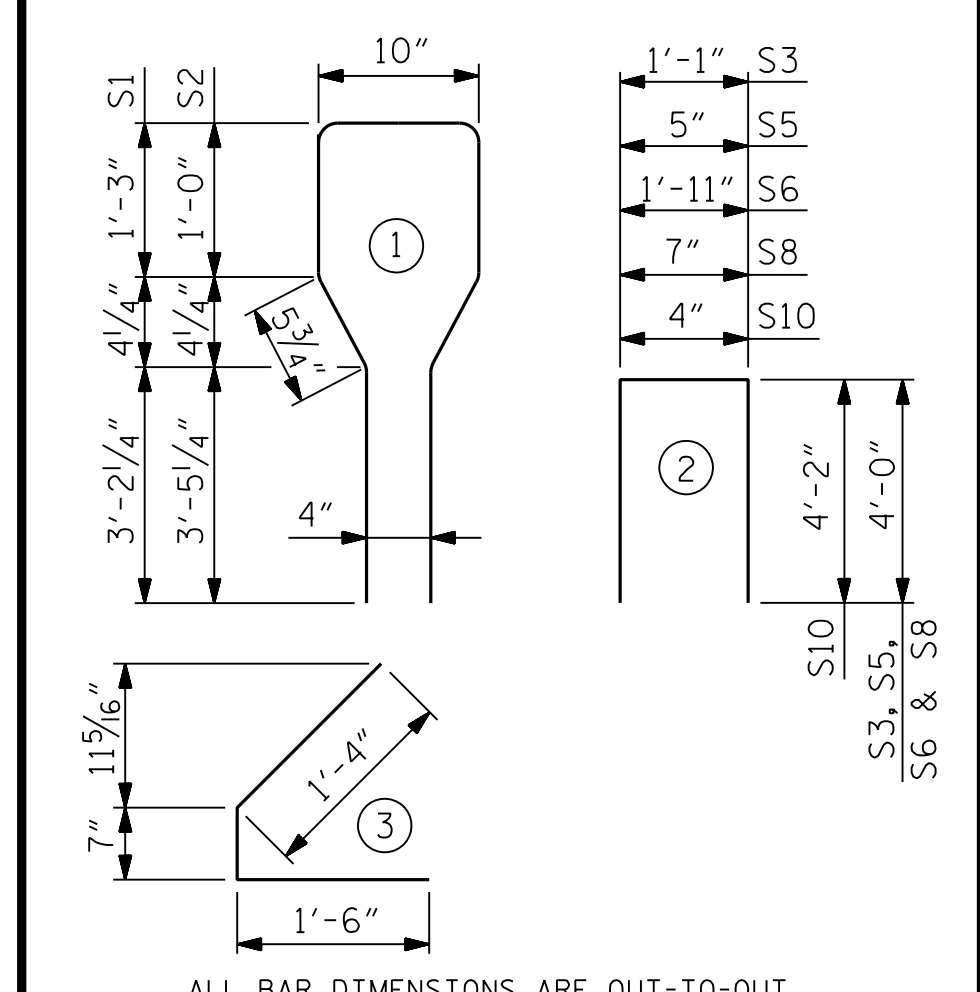
**0.6" Ø LOW RELAXATION STRAND LAYOUT**

0.6" Ø L. R. GRADE 270 STRANDS		
AREA (SQUARE INCHES)	ULTIMATE STRENGTH (LBS. PER STRAND)	APPLIED PRESTRESS (LBS. PER STRAND)
0.217	58,600	43,950

REINFORCING STEEL FOR ONE GIRDER					
BAR	NUMBER	SIZE	TYPE	LENGTH	WEIGHT
S1	113	#4	1	10'-8"	805
S2	14	#6	1	10'-8"	225
S3	4	#4	2	9'-1"	24
S4	68	#4	3	3'-5"	155
S5	6	#4	2	8'-5"	34
S6	1	#4	2	9'-11"	7
* S7	6	#5	STR.	3'-8"	23
S8	4	#4	2	8'-7"	23
S9	1	#3	STR.	1'-10"	1
S10	4	#5	2	8'-8"	36
S11	8	#5	2	8'-8"	72
S12	10	#4	STR.	11'-10"	79

\* NOTE: S7 BARS SHALL BE BENT BEFORE SHIPMENT. HEAT BENDING SHALL NOT BE ALLOWED

**BAR TYPES**



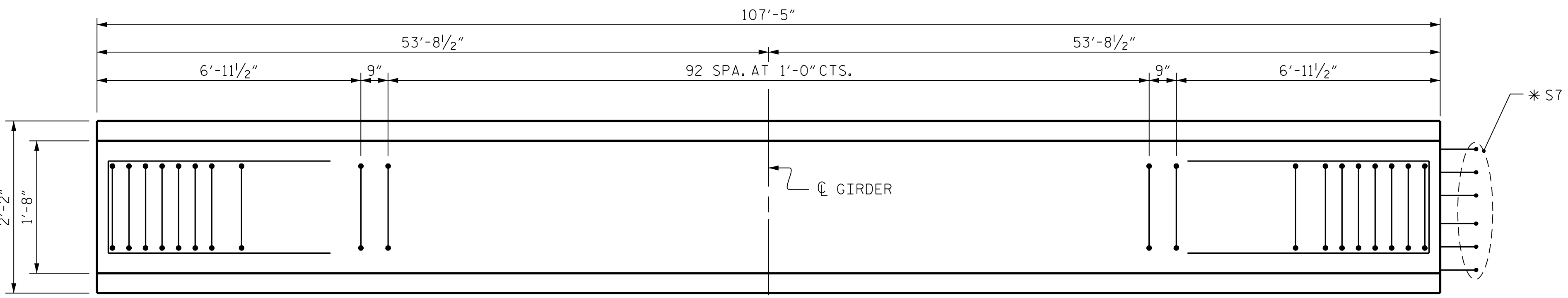
ALL BAR DIMENSIONS ARE OUT-TO-OUT

QUANTITIES FOR ONE GIRDER			
	REINFORCING STEEL LB.	7,500 PSI CONCRETE C.Y.	0.6" Ø L. R. STRANDS No.
GDRS. 2-4	1,448	21.8	42
GDRS. 1 & 5	1,380	21.8	42

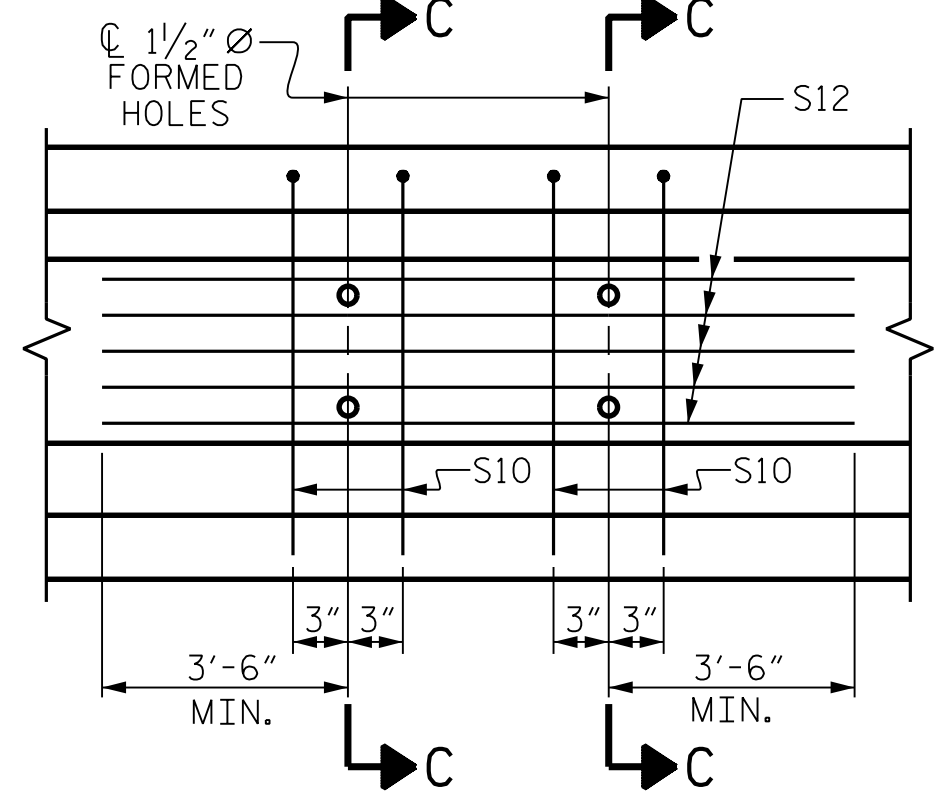
GIRDERS REQUIRED		
NUMBER	LENGTH	TOTAL LENGTH
5	107'-5"	537'-1"

PROJECT NO. R-2577A  
FORSYTH COUNTY  
STATION: 140+39.50 -L-

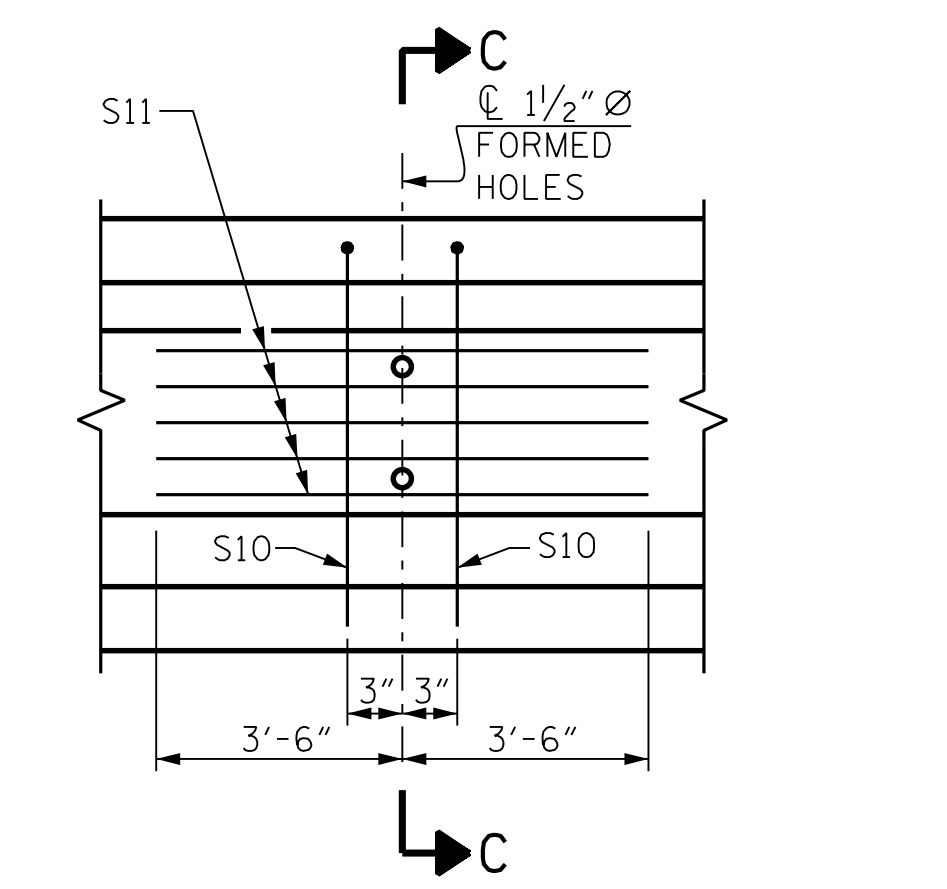
SHEET 1 OF 4



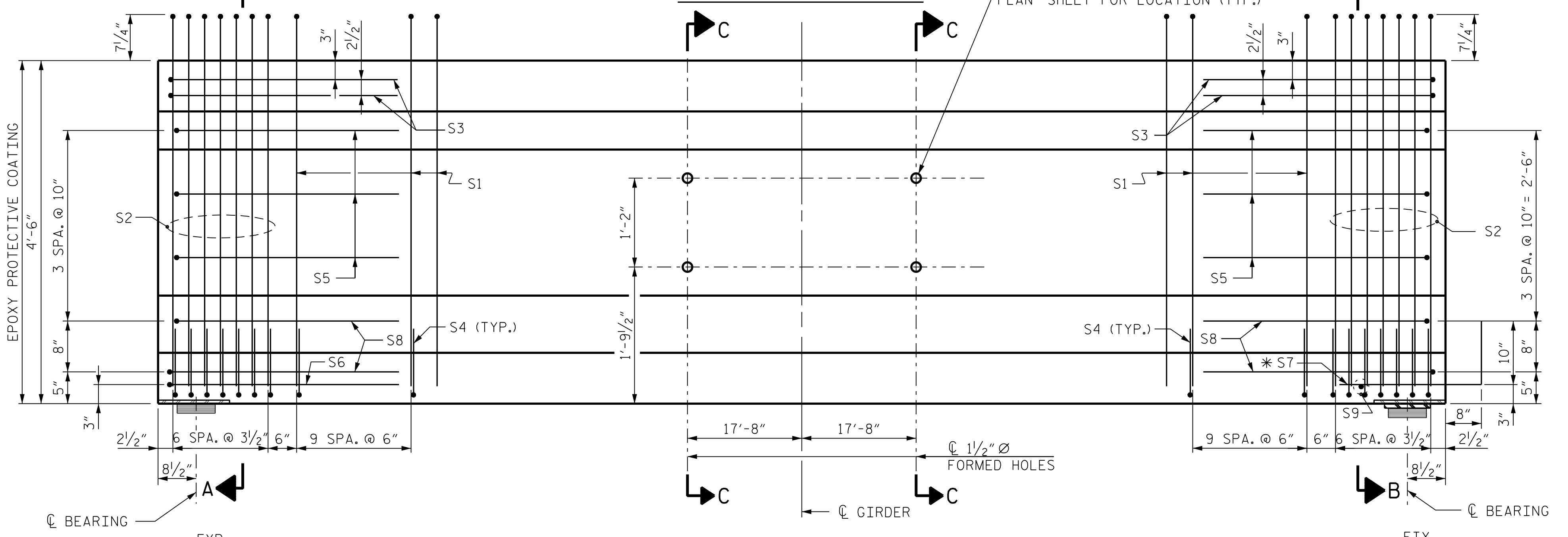
**PLAN OF GIRDER**



**PARTIAL ELEVATION**  
SHOWING INTERMEDIATE DIAPHRAGM REINFORCING STEEL FOR GDRS. 2 THRU 4

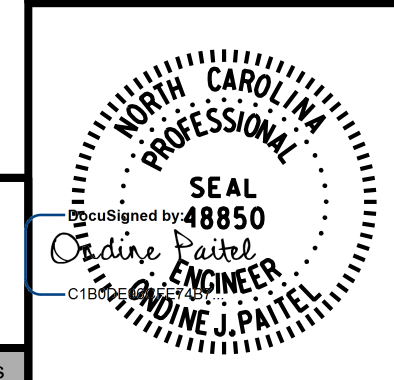


**PARTIAL ELEVATION**  
SHOWING INTERMEDIATE DIAPHRAGM REINFORCING STEEL FOR GDRS. 1 & 5



**ELEVATION OF GIRDER**  
(SEE PARTIAL ELEVATION FOR ADDITIONAL "S" BARS)

BRIDGE NO. 330815



11/10/2023

DRAWN BY : T.K. BOYD DATE : SEP 2023  
CHECKED BY : L.K. AUSTIN DATE : SEP 2023  
DESIGN ENGINEER OF RECORD : J. PAITEL DATE : SEP 2023

**RK&K**  
P: (919) 878-9560  
8601 Six Forks Road, Forum 1 Suite 700  
Raleigh, North Carolina 27615 | NC License No. F-0112  
Engineers | Construction Managers | Planners | Scientists  
www.rkk.com  
Responsive People | Creative Solutions

**DOCUMENT NOT CONSIDERED FINAL UNLESS ALL SIGNATURES COMPLETED**

REVISIONS					
NO.	BY:	DATE:	NO.	BY:	DATE:
1			3		
2			4		

STD. NO. PC66