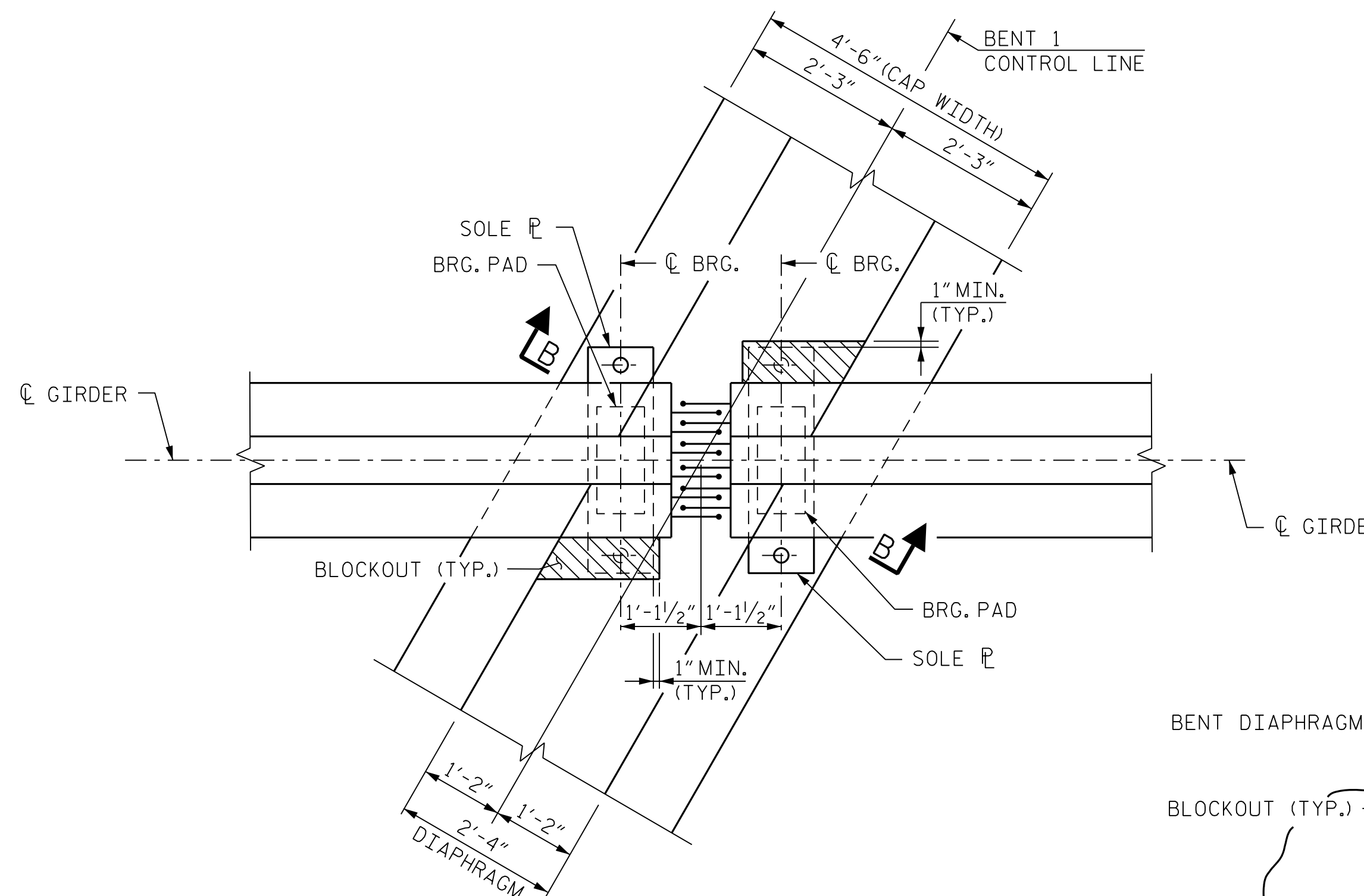


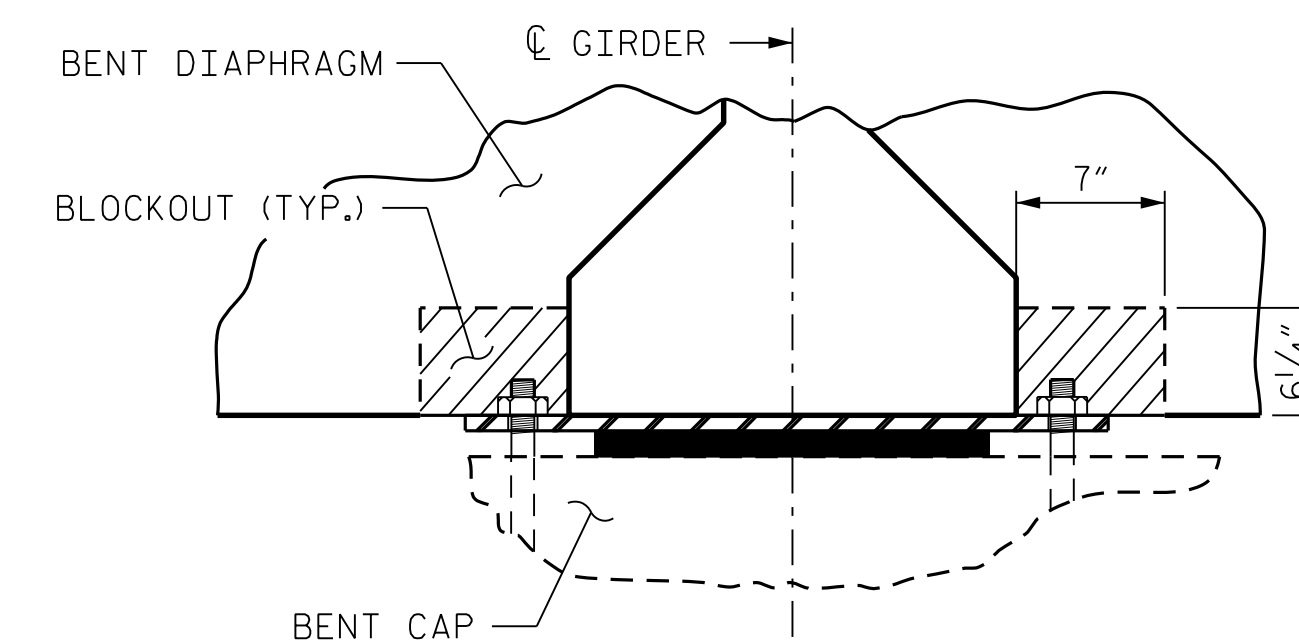
PLAN DETAIL OF END BENT 1

(DECK SLAB NOT SHOWN FOR CLARITY)
(END BENT 1 SHOWN, END BENT 2 SIMILAR)

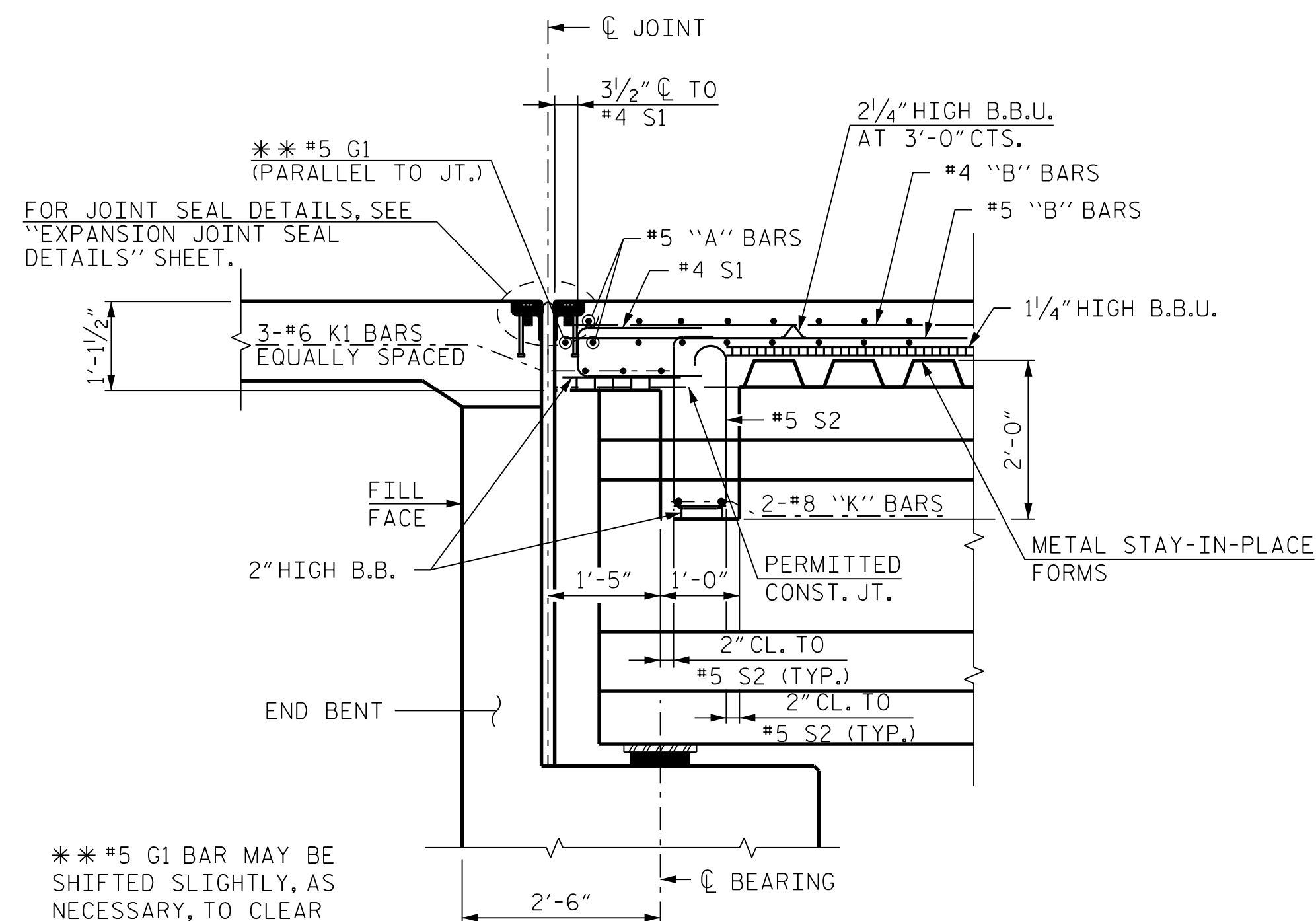


PLAN DETAIL OF BENT 1

(CONTINUOUS DECK SLAB NOT SHOWN FOR CLARITY)



**BENT SECTION
DIAPHRAGM BLOCKOUT DETAIL**

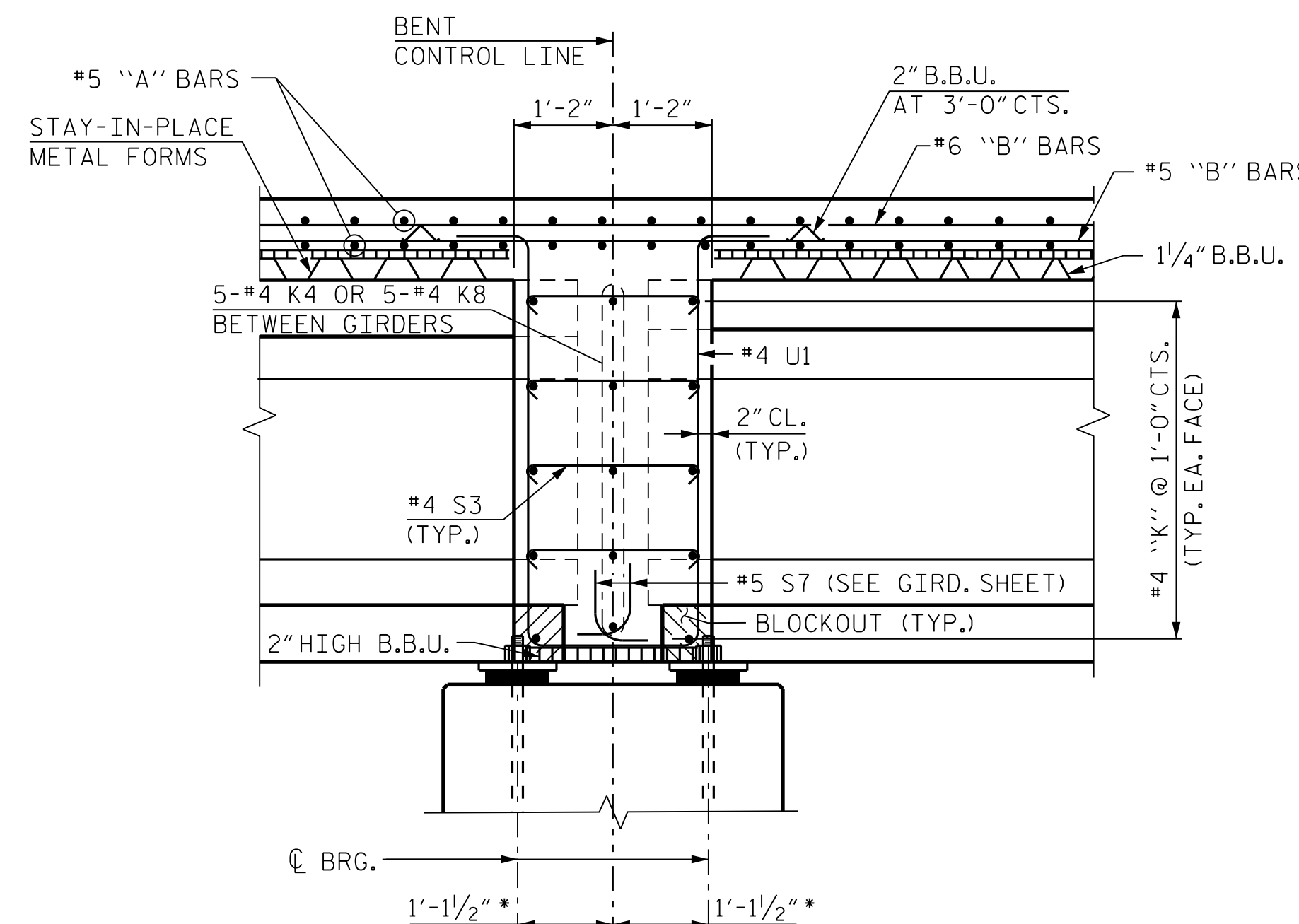


SECTION A-A

(DIMENSIONS SHOWN ARE NORMAL TO END BENT)

END BENT DETAILS

(END BENT 1 SHOWN, END BENT 2 SIMILAR)



SECTION B-B

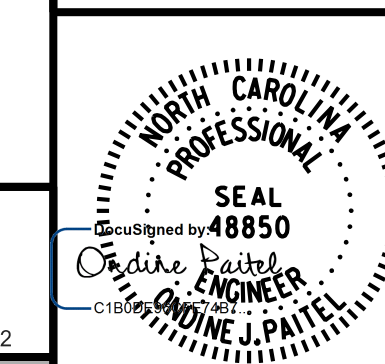
**SECTION THROUGH
BENT DIAPHRAGM**

* MEASURED ALONG GIRDER

PROJECT NO. R-2577A
FORSYTH COUNTY
STATION: 140+39.50 -L-

SHEET 3 OF 3

BRIDGE NO. 330815



STATE OF NORTH CAROLINA
DEPARTMENT OF TRANSPORTATION
RALEIGH

**SUPERSTRUCTURE
TYPICAL SECTION
DETAILS**

LEFT LANE

REVISIONS

NO.	BY:	DATE:	NO.	BY:	DATE:	SHEET NO.
1			3			SL-8
2			4			TOTAL SHEETS
						35

RK&K
P: (919) 878-9560
8601 Six Forks Road, Forum 1 Suite 700
Raleigh, North Carolina 27615 | NC License No. F-0112
Engineers | Construction Managers | Planners | Scientists
www.rkk.com
Responsive People | Creative Solutions

**DOCUMENT NOT CONSIDERED FINAL
UNLESS ALL SIGNATURES COMPLETED**

tboyd 11/10/2023 R:\Structures\BRIDGE\LeftBridge\DGNN\FINAL\R2577A_SMU_TS3_330815.dgn

DRAWN BY : T.K. BOYD DATE : SEP 2023
CHECKED BY : L.K. AUSTIN DATE : SEP 2023
DESIGN ENGINEER OF RECORD : O. J. PAITEL DATE : SEP 2023