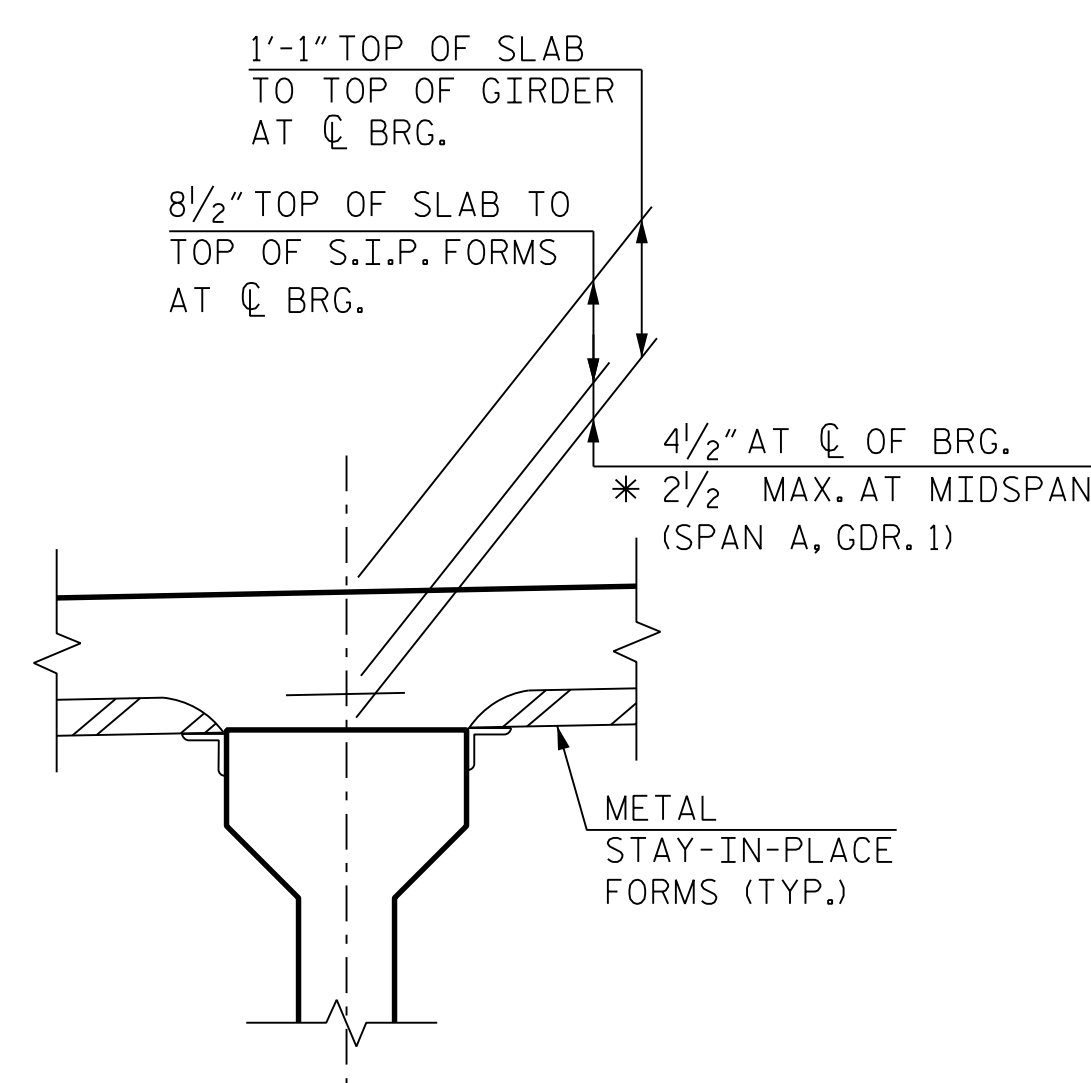


TYPICAL SECTION AT INTERMEDIATE DIAPHRAGMS

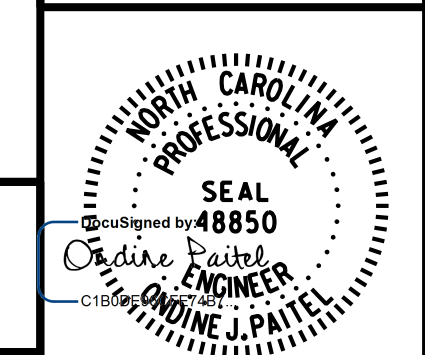


DETAIL "A"  
\* BASED ON PREDICTED FINAL CAMBER AND THEORETICAL GRADE LINE ELEVATIONS.

PROJECT NO. R-2577A  
 FORSYTH COUNTY  
 STATION: 140+39.50 -L-

SHEET 2 OF 3

BRIDGE NO. 330815

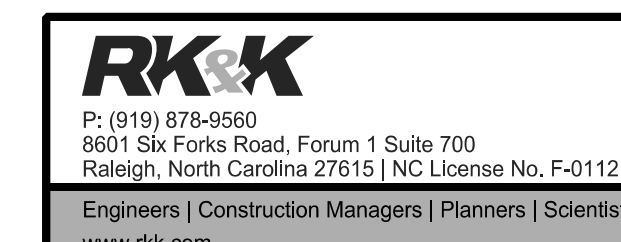


STATE OF NORTH CAROLINA  
 DEPARTMENT OF TRANSPORTATION  
 RALEIGH  
 SUPERSTRUCTURE  
 TYPICAL SECTIONS

LEFT LANE

REVISIONS

NO.	BY:	DATE:	NO.	BY:	DATE:	SHEET NO.
1			3			SL-7
2			4			TOTAL SHEETS
						35



11/10/2023  
 ENGINEERS | CONSTRUCTION MANAGERS | PLANNERS | SCIENTISTS  
 Responsive People | Creative Solutions  
**DOCUMENT NOT CONSIDERED FINAL  
 UNLESS ALL SIGNATURES COMPLETED**

11/10/2023 R:\Structures\BRIDGE\LeftBridge\DG\N\FINAL\R2577A\_SMU\_TS2\_330815.dgn

DRAWN BY : T.K. BOYD DATE : SEP 2023  
 CHECKED BY : L.K. AUSTIN DATE : SEP 2023  
 DESIGN ENGINEER OF RECORD : O. J. PAITEL DATE : SEP 2023