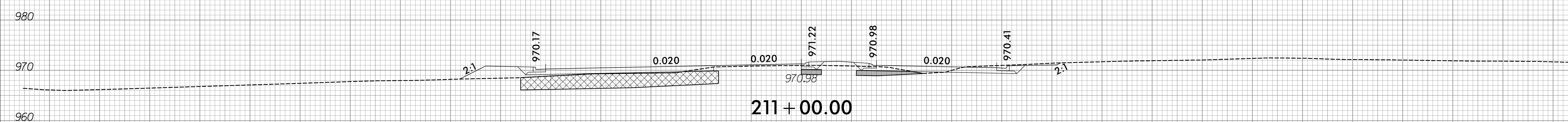
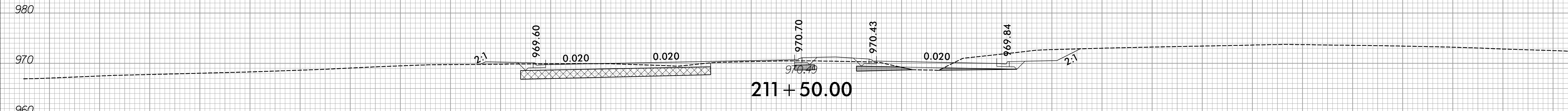
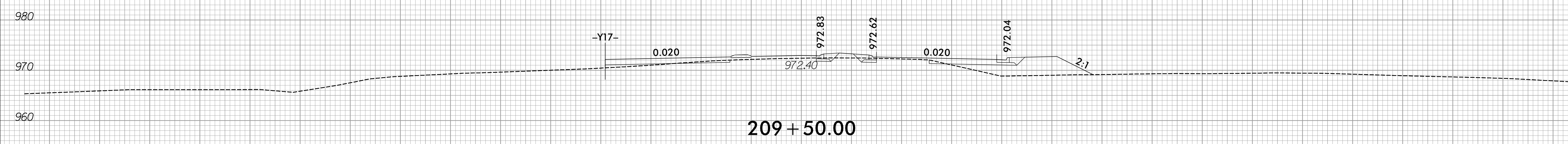
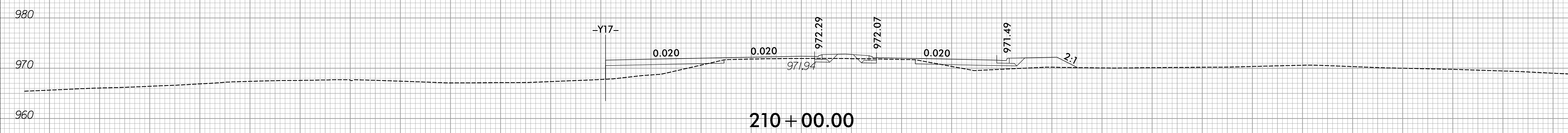
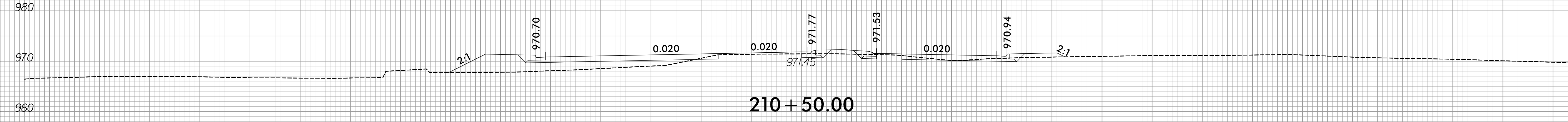


150 140 130 120 110 100 90 80 70 60 50 40 30 20 10 0 10 20 30 40 50 60 70 80 90 100 110 120 130 140 150

END SHALLOW UNDERCUT EXCAVATION STA. 211+75
 END UNDERCUT EXCAVATION STA. 211+75



BEGIN UNDERCUT EXCAVATION STA. 210+75
 BEGIN SHALLOW UNDERCUT EXCAVATION STA. 210+75



-L2-

150 140 130 120 110 100 90 80 70 60 50 40 30 20 10 0 10 20 30 40 50 60 70 80 90 100 110 120 130 140 150