

- 1 INSTALL COAX CABLE
- 2 INSTALL ETHERNET CABLE
- 3A INSTALL 3-WIRE COPPER FEEDER CONDUCTORS
- 3B INSTALL 4-WIRE COPPER FEEDER CONDUCTORS
- 4 INSTALL SMFO CABLE
- 5 EXISTING SMFO CABLE
- 6 INSTALL FIBER OPTIC DROP CABLE
- 7 INSTALL TRACER WIRE
- 8 TRENCH
- 9 INSTALL PVC CONDUIT
- 10 INSTALL RIGID, GALVANIZED STEEL CONDUIT
- 11 INSTALL RIGID, GALVANIZED STEEL RISER WITH WEATHERHEAD
- 12 INSTALL RIGID, GALVANIZED STEEL RISER WITH FIBER OPTIC CABLE SEAL
- 13 INSTALL OUTER-DUCT POLYETHYLENE CONDUIT
- 14 INSTALL POLYETHYLENE CONDUIT
- 15 DIRECTIONAL DRILL CONDUIT
- 16 BORE AND JACK CONDUIT
- 17 INSTALL CABLE(S) IN EXISTING CONDUIT
- 18 INSTALL CABLE(S) IN NEW CONDUIT
- 19 INSTALL CABLE(S) IN EXISTING RISER
- 20 INSTALL CABLE(S) IN NEW RISER
- 21 INSTALL CABLE(S) IN EXISTING CONDUIT STUB-OUTS
- 22 INSTALL NEW CONDUIT INTO EXISTING CABINET BASE (USE EXISTING CONDUIT STUB-OUTS WHEN AVAILABLE)
- 23 INSTALL NEW RISER INTO EXISTING CABINET BASE (USE EXISTING CONDUIT STUB-OUTS WHEN AVAILABLE)
- 24 INSTALL NEW CONDUIT INTO NEW POLE MOUNTED CABINET
- 25 INSTALL NEW RISER INTO EXISTING POLE MOUNTED CABINET
- 26 INSTALL NEW ETHERNET EDGE SWITCH
- 27 INSTALL NEW FIBER OPTIC TRANSCEIVER
- 28 INSTALL INTERCONNECT CENTER, PATCH PANEL, JUMPERS AND FUSION SPLICE CABLE IN CABINET
- 29 INSTALL UNDERGROUND SPLICE ENCLOSURE
- 30 INSTALL AERIAL SPLICE ENCLOSURE
- 31 MODIFY EXISTING INTERCONNECT CENTER /SPLICE ENCLOSURE
- 32 INSTALL POLE MOUNTED SPLICE CABINET
- 33 INSTALL BASE MOUNTED SPLICE CABINET

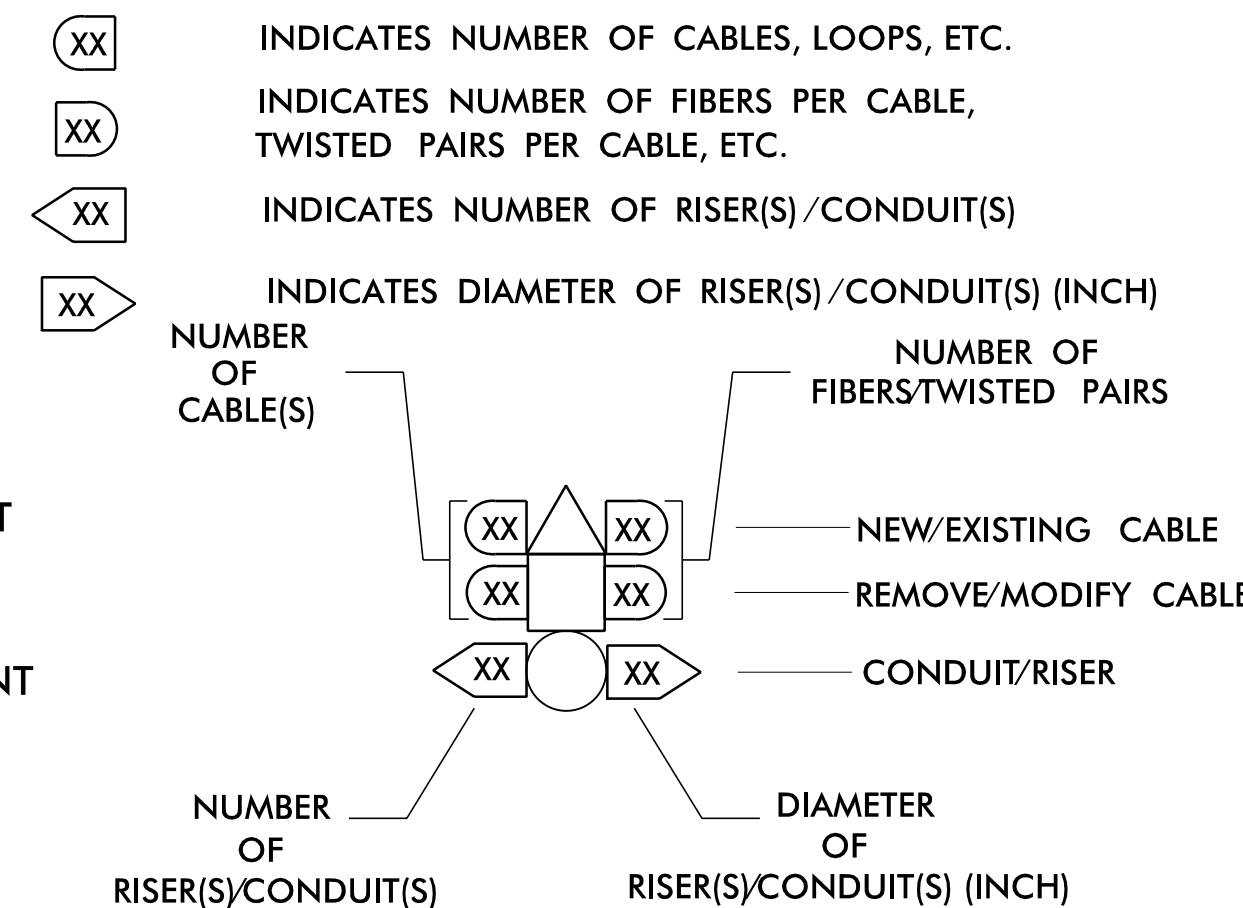
- 34 INSTALL CABINET FOUNDATION
- 35 INSTALL CCTV CAMERA POLE MOUNTED CABINET
- 36 INSTALL CCTV CAMERA ASSEMBLY
- 37 INSTALL CCTV CAMERA WOOD POLE
- 38 INSTALL CCTV CAMERA METAL POLE AND FOUNDATION
- 39 INSTALL JUNCTION BOX
- 40A INSTALL OVERSIZED JUNCTION BOX
- 40B INSTALL SPECIAL OVERSIZED JUNCTION BOX (36" x 24" x 24")
- 41 REMOVE EXISTING JUNCTION BOX
- 42 INSTALL WOOD POLE
- 43 REMOVE EXISTING WOOD POLE
- 44 INSTALL AERIAL GUY ASSEMBLY
- 45 INSTALL STANDARD GUY ASSEMBLY
- 46 INSTALL SIDEWALK GUY ASSEMBLY
- 47 INSTALL MESSENGER CABLE
- 48A REMOVE EXISTING COMMUNICATIONS AND MESSENGER CABLE
- 48B REMOVE EXISTING COMMUNICATIONS CABLE
- 49 BACK PULL EXISTING COMMUNICATIONS CABLE
- 50 INSTALL CELL MODEM AND ANTENNA
- 51 INSTALL CABLE STORAGE RACKS (SNOW SHOES) AND STORE 100 FEET OF CABLE
- 52 INSTALL JUNCTION BOX MARKER
- 53A STORE 20 FEET OF COMMUNICATIONS CABLE
- 53B STORE 50 FEET OF EACH COMMUNICATIONS CABLE
- 54 LASH CABLE(S) TO EXISTING COMMUNICATIONS CABLE
- 55 LASH CABLE(S) TO EXISTING MESSENGER CABLE
- 56 LASH CABLE(S) TO NEW MESSENGER CABLE
- 57 MODIFY EXISTING ELECTRICAL SERVICE
- 58 INSTALL NEW ELECTRICAL SERVICE
- 59 INSTALL NEW EQUIPMENT CABINET DISCONNECT
- 60 INSTALL NEW POLE MOUNTED CABINET
- 61 BOND TRACER WIRE TO EQUIPMENT GROUND BUS
- 62 DO NOT BOND TRACER WIRE TO EQUIPMENT GROUND BUS
- 63 BOND RISER AND MESSENGER CABLE TO POLE GROUND
- 64 BOND RISER TO POLE GROUND
- 65 BOND MESSENGER CABLE TO POLE GROUND
- 66 INSTALL HEAT SHRINK TUBING RETROFIT KIT
- 67 INSTALL MOLDABLE DUCT SEAL
- 68 SLACK SPAN
- 69 INSTALL DMS ASSEMBLY

LEGEND

FO	NEW FIBER OPTIC COMMUNICATIONS CABLE
EXI	EXISTING COMMUNICATIONS CABLE
REM	EXISTING COMMUNICATIONS CABLE TO BE REMOVED
	NEW AERIAL GUY ASSEMBLY
	NEW CONDUIT
	EXISTING CONDUIT
DD	NEW DIRECTIONAL DRILLED CONDUIT

NEW	EXISTING

CONSTRUCTION NOTE SYMBOLOGY KEY



ATTACHMENT POINT:

"SS" YY DISTANCE ABOVE (IN)/ATTACHMENT POINT REFERENCE POINT

"SS" XX REFERENCE POINT DISTANCE BELOW (IN)/ATTACHMENT POINT

"SS" REFERENCE LOCATION

FS = FRONT SIDE OF POLE
BS = BACK SIDE OF POLE

RK&K
 P: (919) 878-8560
 8801 Six Forks Road Suite 700 | Raleigh, North Carolina 27615-2965
 NC License No. F-0112
 www.rk.com
 Responsive People | Creative Solutions

Prepared for the Offices of:

 R-2577A
 Signal Communications Plans
 Division 09 Forsyth County Winston-Salem/
 Walkertown
 PLAN DATE: February 2024 REVIEWED BY: WP Erickson-Jones
 PREPARED BY: H Townsend REVIEWED BY:
 REVISIONS
 INIT. DATE
 DOCUMENT NOT CONSIDERED FINAL UNLESS ALL SIGNATURES COMPLETED
 SEAL
 PORTER JONES
 PROFESSIONAL ENGINEER
 SEAL
 056142
 PORTER JONES
 SIGNATURE
 DATE
 2/12/2024
 CADD Filename: