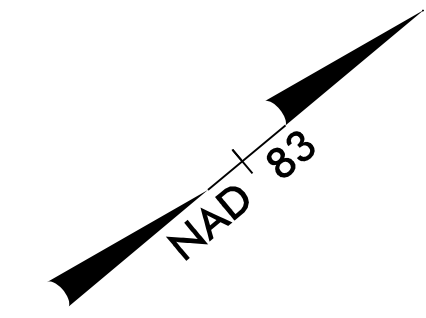
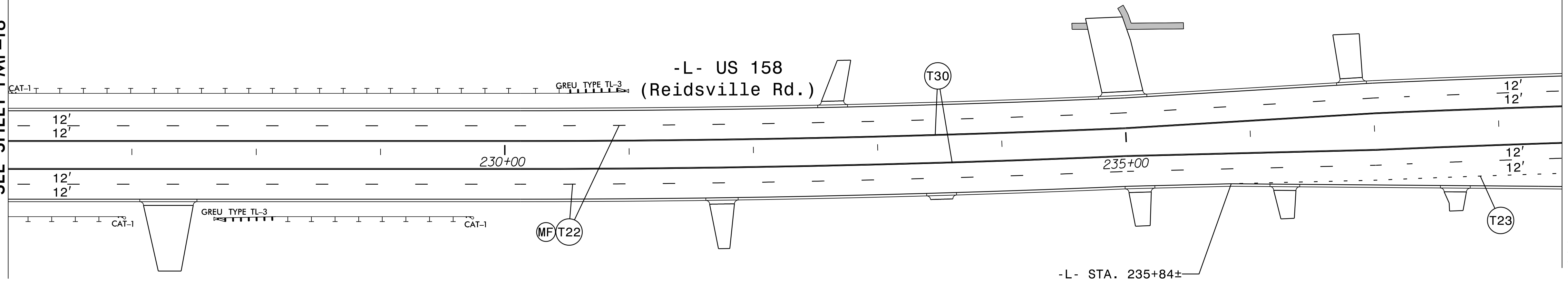


**DOCUMENT NOT CONSIDERED FINAL
 UNLESS ALL SIGNATURES COMPLETED**



MATCHLINE -L- STA. 226 + 00
SEE SHEET PMP-18



MATCHLINE -L- STA. 238 + 50
SEE SHEET PMP-20

R:\2024\24-PMP-19.dgn

RK&K
 P: (919) 878-9550
 6601 Six Forks Road, Forum 1, Suite 700
 Raleigh, North Carolina 27615-3960
 NC License No. F-0112

Engineers | Construction Managers | Planners | Scientists
 www.rkk.com

Responsive People | Creative Solutions

PAVEMENT MARKING DETAIL