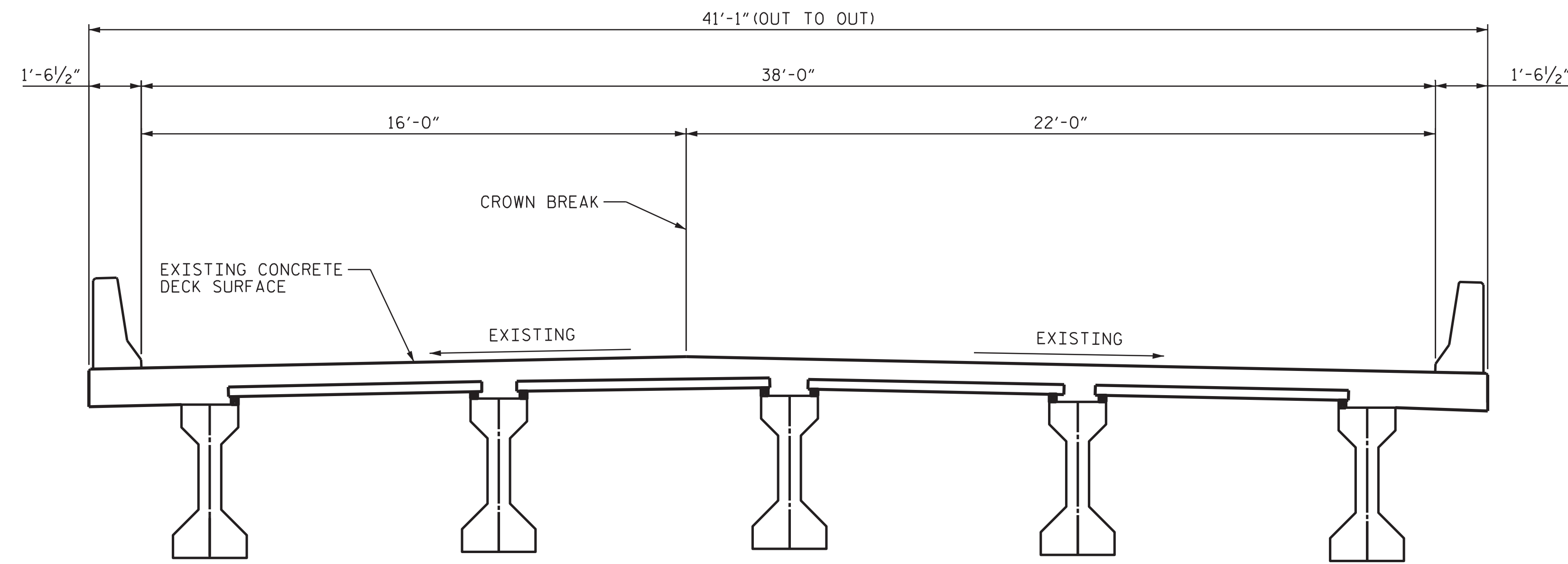
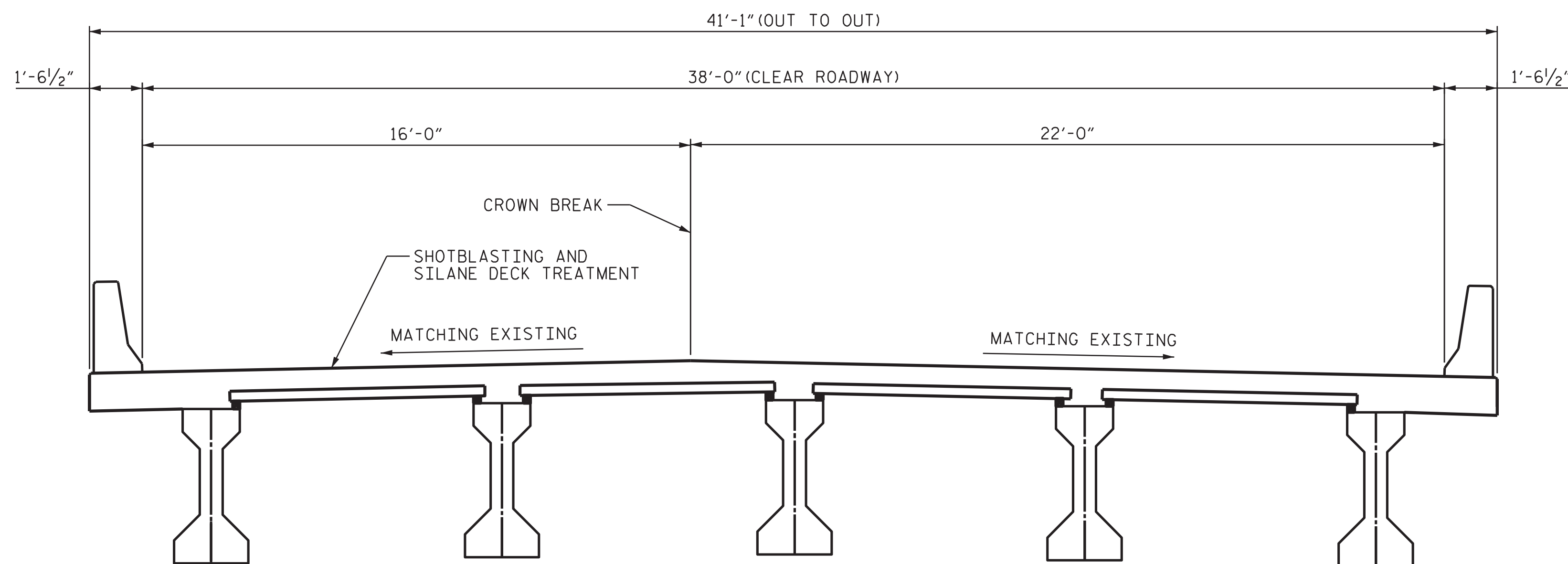


NOTES

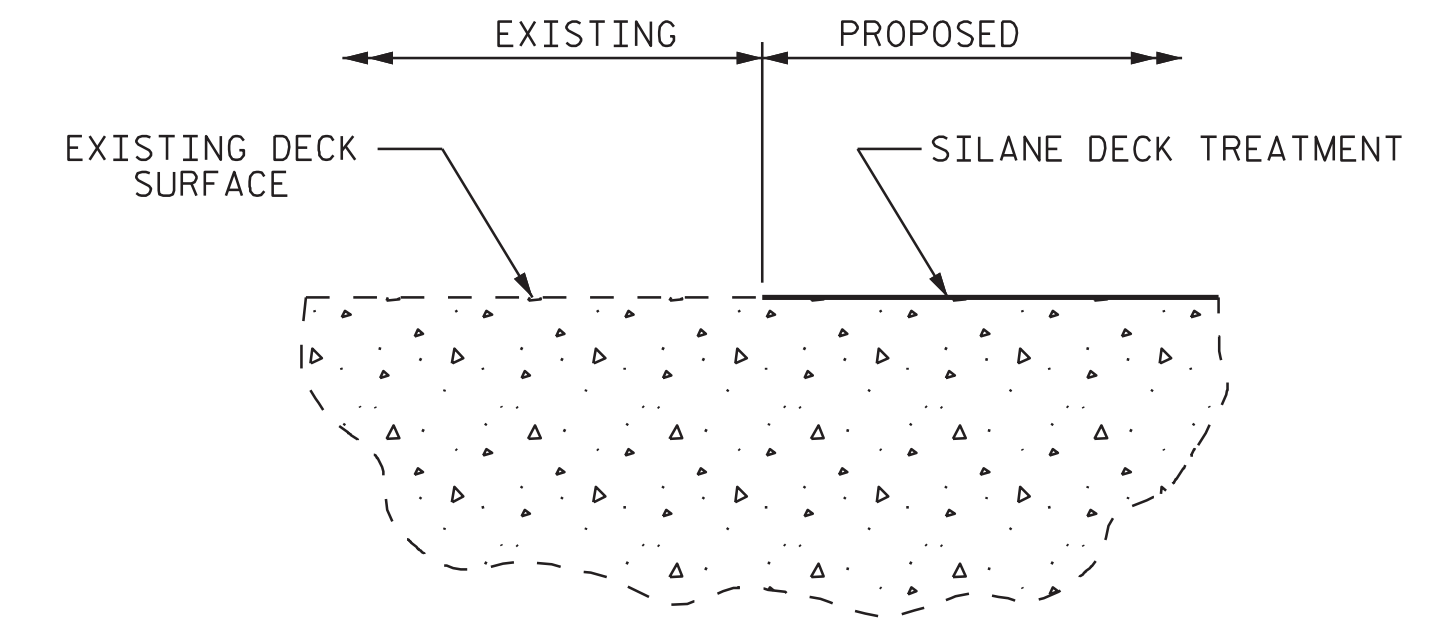
SEE TRANSPORTATION MANAGEMENT PLANS FOR LANE WIDTHS, SEQUENCING AND OTHER TRAFFIC CONTROL MEASURES FOR STAGING OF SURFACE PREPARATION AND SILANE DECK TREATMENT.



EXISTING TYPICAL SECTION



PROPOSED TYPICAL SECTION

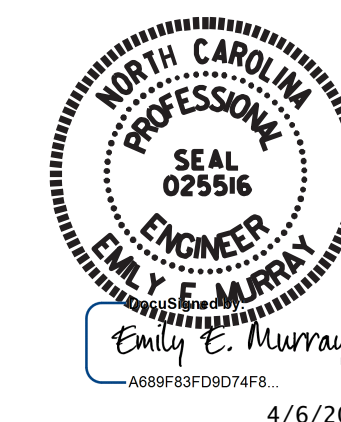


SILANE DECK TREATMENT



SILANE BARRIER RAIL TREATMENT

PROJECT NO. HI-0016
ROBESON COUNTY
 BRIDGE NO: 770465

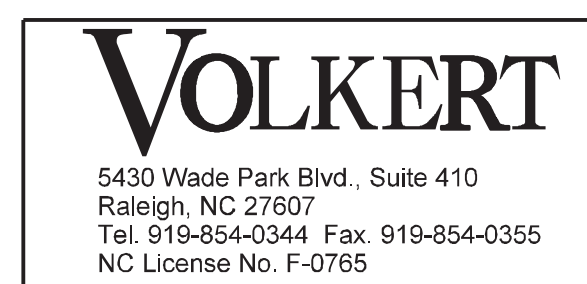


STATE OF NORTH CAROLINA
 DEPARTMENT OF TRANSPORTATION
 RALEIGH

TYPICAL SECTION

DRAWN BY : T. MAZARURA DATE : 11/22
 CHECKED BY : E. E. MURRAY DATE : 11/22

06-APR-2023 10:25
 *****SDGN*****
 taffy.mazarura AT C-160013



DOCUMENT NOT CONSIDERED
 FINAL UNLESS ALL
 SIGNATURES COMPLETED

REVISIONS						SHEET NO.
NO.	BY:	DATE:	NO.	BY:	DATE:	S-6
1			3			TOTAL SHEETS
2			4			21