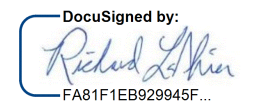
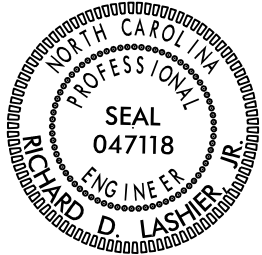
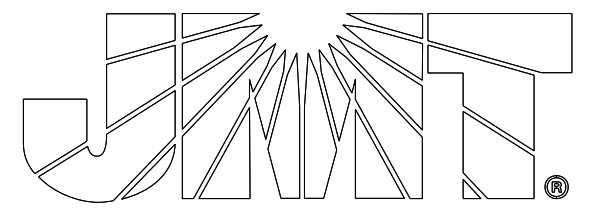
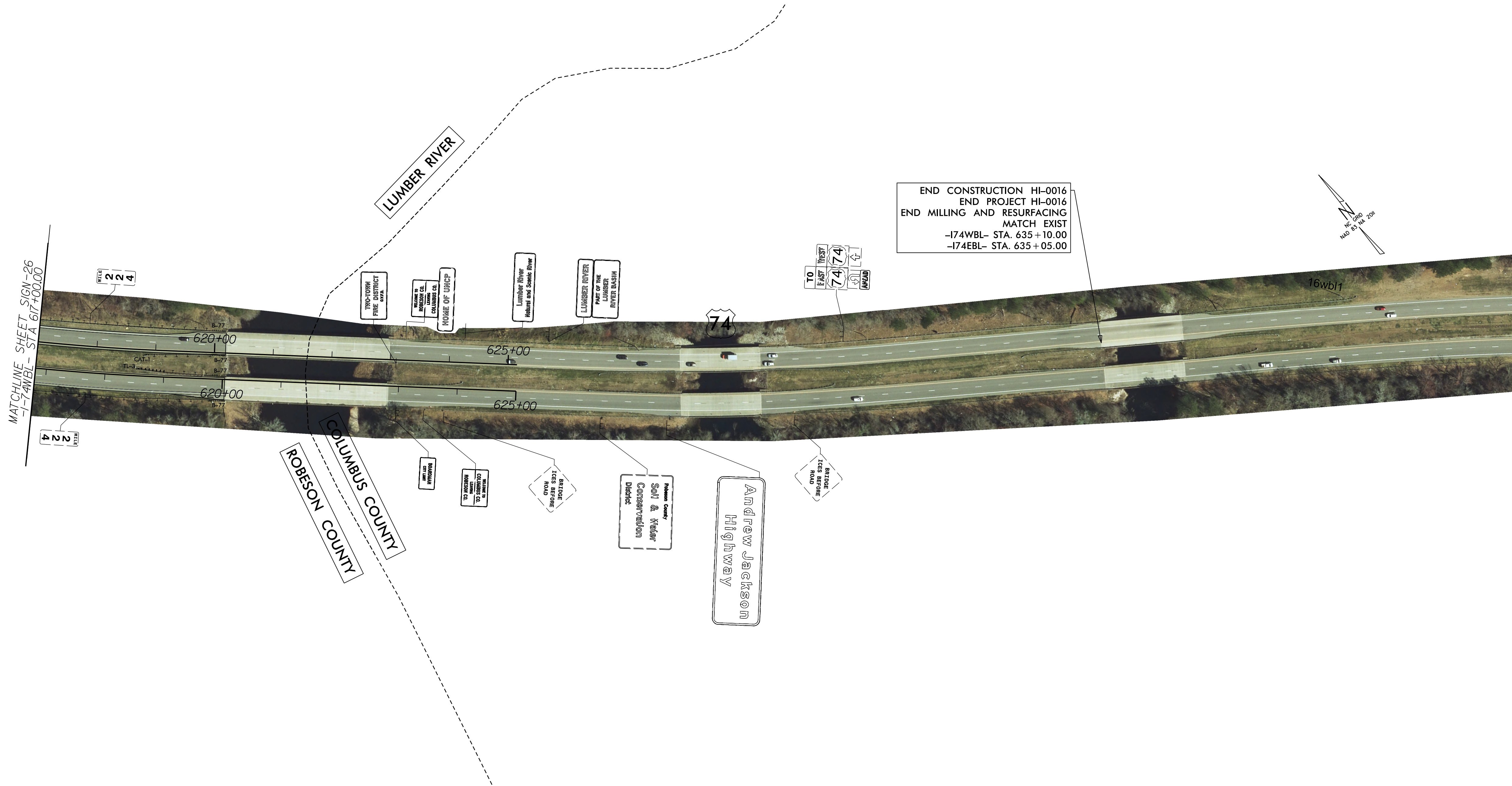
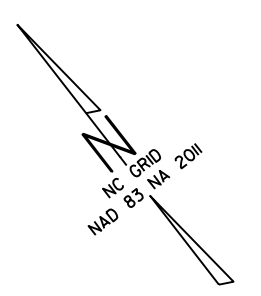


PROJECT REFERENCE NO. HI-0016	SHEET NO. SIGN-27
DocuSigned by:  10/11/2023	
	
	

NO SIGNING WORK
THIS SHEET

END CONSTRUCTION HI-0016
 END PROJECT HI-0016
 END MILLING AND RESURFACING
 MATCH EXIST
 -I74WBL- STA. 635 + 10.00
 -I74EBL- STA. 635 + 05.00



MATCHLINE SHEET SIGN-26
 -I74WBL- STA. 617 + 00.00

FILE 2 2 4

FILE 2 2 4

