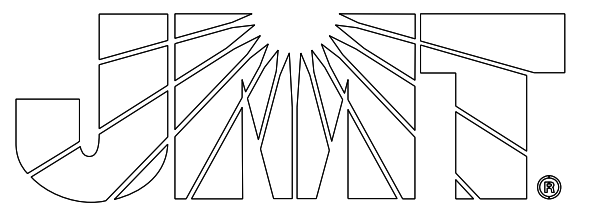
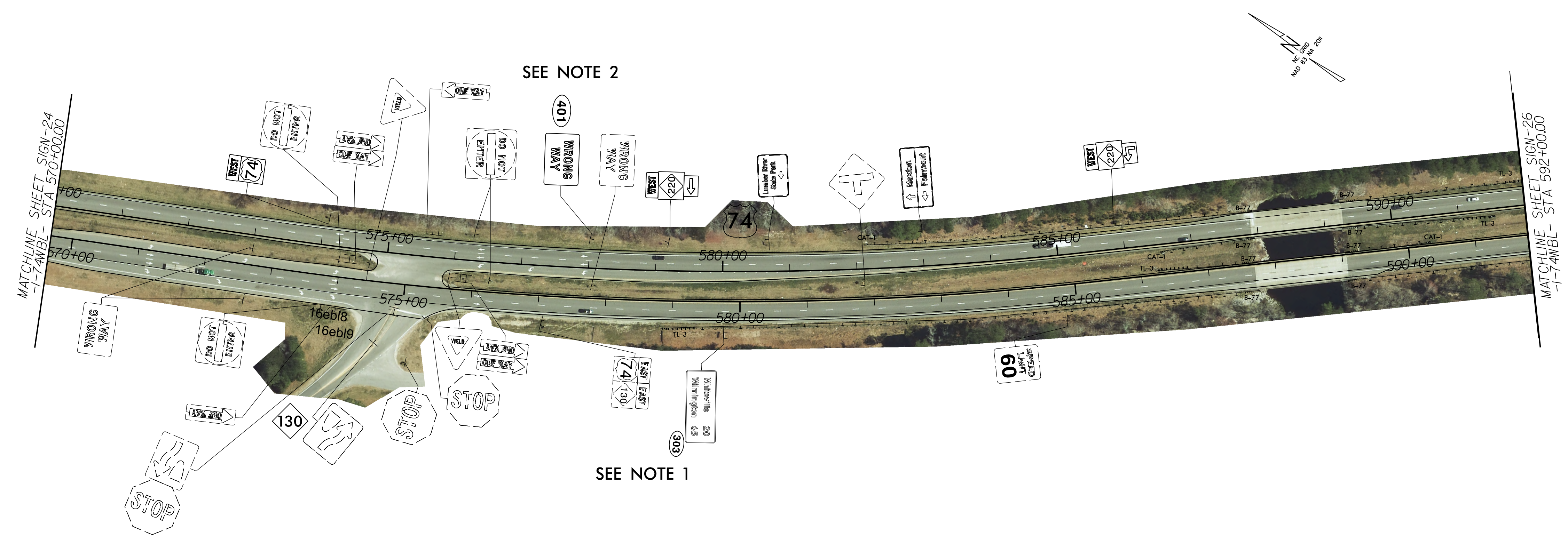


PROJECT REFERENCE NO. <i>HI-0016</i>	SHEET NO. <i>SIGN-25</i>
DocuSigned by: <i>Richard D. Laster</i> PROFESSIONAL ENGINEER SEAL 047118 10/11/2023	
	



PROJECT NOTES

- 1 DISPOSAL OF SIGN AND SIGN ERECTION, ALL SIGNS TYPE D, E, AND F
- 2 SIGN ERECTION, TYPE E

