
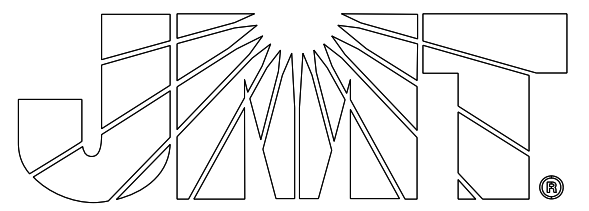


8/17/99

PROJECT REFERENCE NO. <i>HI-0016</i>	SHEET NO. <i>SIGN-23</i>
DocuSigned by: <i>Richard D. Laster</i> SEAL 047118 10/11/2023 	
	

NO SIGNING WORK
THIS SHEET

