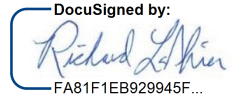

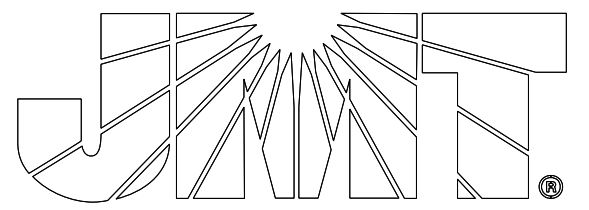
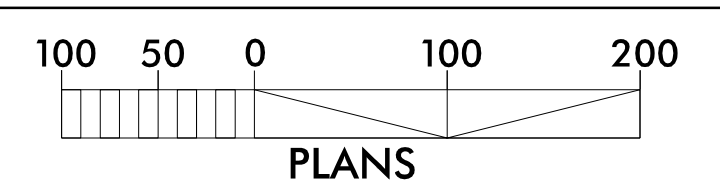
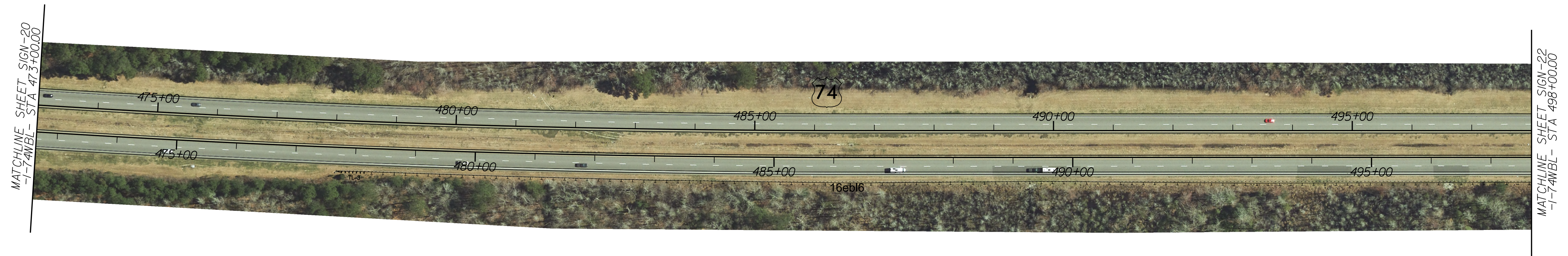
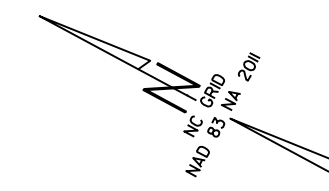


8/17/99

PROJECT REFERENCE NO. <i>HI-0016</i>	SHEET NO. <i>SIGN-21</i>
Designed by:  <small>PAB1F1E820946F</small> 10/11/2023	
	
	

NO SIGNING WORK
THIS SHEET



9/13/2023
User:rlaster