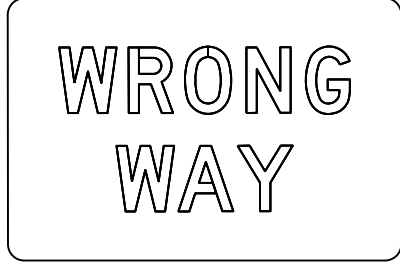


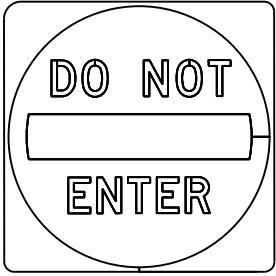
401 **QUANTITY REQ'D 3**



42" X 30"
R5-1a

TWO "U" POST PER SIGN


402 **QUANTITY REQ'D 1**



36" X 36"
R5-1

ONE "U" POST PER SIGN

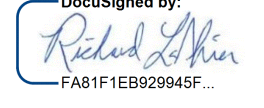

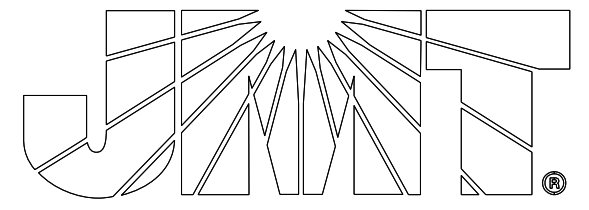
503 **QUANTITY REQ'D 1**



24" X 12"
M3-2

24" X 24"
M1-1

ONE "U" POST PER SIGN

PROJECT REFERENCE NO. <i>HI-0016</i>	SHEET NO. <i>SIGN-2</i>
DocuSigned by:  <small>FAB1F1EB929845F</small> 10/11/2023	
	
	

TYPE "E" & "F" SIGNS