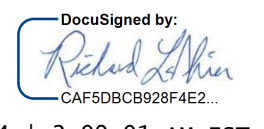

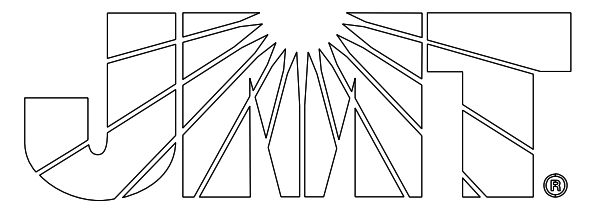


STATE OF NORTH CAROLINA  
DEPARTMENT OF TRANSPORTATION

PROJECT REFERENCE NO. HI-0016	SHEET NO. PMP-1
DocuSigned by:  2/13/2024   2:09:01 AM EST	
	
	

# PAVEMENT MARKING PLAN ROBESON COUNTY

LOCATION: I-74 1 MILE EAST OF NC 41 TO LUMBER RIVER BRIDGES

## ROADWAY STANDARD DRAWING

THE FOLLOWING ROADWAY STANDARDS AS APPEAR IN "ROADWAY STANDARD DRAWINGS" - PROJECT SERVICES UNIT - N.C. DEPARTMENT OF TRANSPORTATION - RALEIGH, N.C., DATED JANUARY 2024 ARE APPLICABLE TO THIS PROJECT AND BY REFERENCE HEREBY ARE CONSIDERED A PART OF THESE PLANS. INCLUSION OF SPECIFIC SHEETS IN THESE PLANS AS DETAILS DOES NOT EXCLUDE APPLICABILITY OF OTHER SHEETS IN SAME STANDARD.

STD. NO.	TITLE
1205.01	PAVEMENT MARKINGS - LINE TYPES AND OFFSETS
1205.02	PAVEMENT MARKINGS - TWO-LANE AND MULTILANE ROADWAYS
1205.03	PAVEMENT MARKINGS - EXIT AND ENTRANCE RAMP
1205.04	PAVEMENT MARKINGS - INTERSECTIONS
1205.05	PAVEMENT MARKINGS - TURN LANES
1205.06	PAVEMENT MARKINGS - LANE DROPS
1205.08	PAVEMENT MARKINGS - SYMBOLS AND WORD MESSAGES
1205.15	PAVEMENT MARKINGS - REDUCED CONFLICT INTERSECTIONS
1250.01	RAISED PAVEMENT MARKERS - INSTALLATION SPACING
1251.01	RAISED PAVEMENT MARKERS - PERMANENT AND TEMPORARY

## GENERAL NOTES

THE FOLLOWING GENERAL NOTES APPLY AT ALL TIMES FOR THE DURATION OF THE CONSTRUCTION PROJECT, EXCEPT WHEN OTHERWISE NOTED IN THE PLAN, OR DIRECTED BY THE ENGINEER.

- A) INSTALL PAVEMENT MARKINGS AND PAVEMENT MARKERS ON THE FINAL SURFACE AS FOLLOWS:

ROAD NAME	MARKING	MARKER
US 74	THERMO	SNOWPLOWABLE
US 74-BRIDGE DECKS	POLYUREA	SNOWPLOWABLE

- B) TIE PROPOSED PAVEMENT MARKING LINES TO EXISTING PAVEMENT MARKING LINES. SEE ROADWAY PLANS FOR LIMITS OF REPAVING.
- C) UNLESS OTHERWISE SPECIFIED, HEATED-IN-PLACE THERMOPLASTIC MAY BE USED IN LIEU OF COLD APPLIED PLASTIC FOR STOP BARS, SYMBOLS, CHARACTERS AND DIAGONALS ON ASPHALT OR CONCRETE ROADWAYS. IF HEATED-IN-PLACE IS USED, IT SHALL BE PAID FOR USING THE COLD APPLIED PAY ITEM.
- D) MARKERS SHALL BE INSTALLED ACCORDING TO THE NCDOT ROADWAY STANDARD DRAWING 1250.01.

## SUMMARY OF QUANTITIES

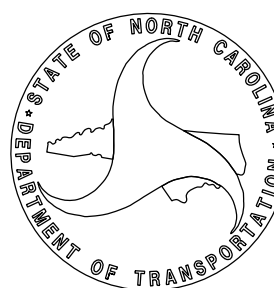
ITEM NO.	ITEM DESCRIPTION	QUANTITY	UNIT
4688000000-E	1205 THERMOPLASTIC PAVEMENT MARKING LINES (6", 90 MILS)	285,730	LF
4700000000-E	1205 THERMOPLASTIC PAVEMENT MARKING LINES (12", 90 MILS)	5,930	LF
4720000000-E	1205 THERMOPLASTIC PAVEMENT MARKING CHARACTER (90 MILS)	16	EA
4725000000-E	1205 THERMOPLASTIC PAVEMENT MARKING SYMBOL (90 MILS)	71	EA
4795000000-E	1205 COLD APPLIED PLASTIC PAVEMENT MARKING LINES, TYPE 2 (24")	165	LF
4846000000-E	1205 POLYUREA PAVEMENT MARKING LINES (6", 30 MILS)	3,390	LF
4905100000-N	1253 NON-CAST IRON SNOWPLOWABLE PAVEMENT MARKER	1,515	EA

## INDEX

SHEET NO.	DESCRIPTION
PMP-1	TITLE SHEET
PMP-2 - PMP-6	SELECT STANDARD DRAWING DETAILS

PLAN SUBMITTED TO: NCDOT SIGNING AND DELINEATION UNIT

MITCH EATON, PE SIGNING & DELINEATION REGIONAL ENGINEER  
 STACEY JOHNS SIGNING & DELINEATION PROJECT DESIGN ENGINEER



8/17/99

2/13/2024 10:20:18 AM I:\1900765\_002\_HI-0016\_US-74\_From\_E\CADD\HI-0016\_PMP-01.dgn