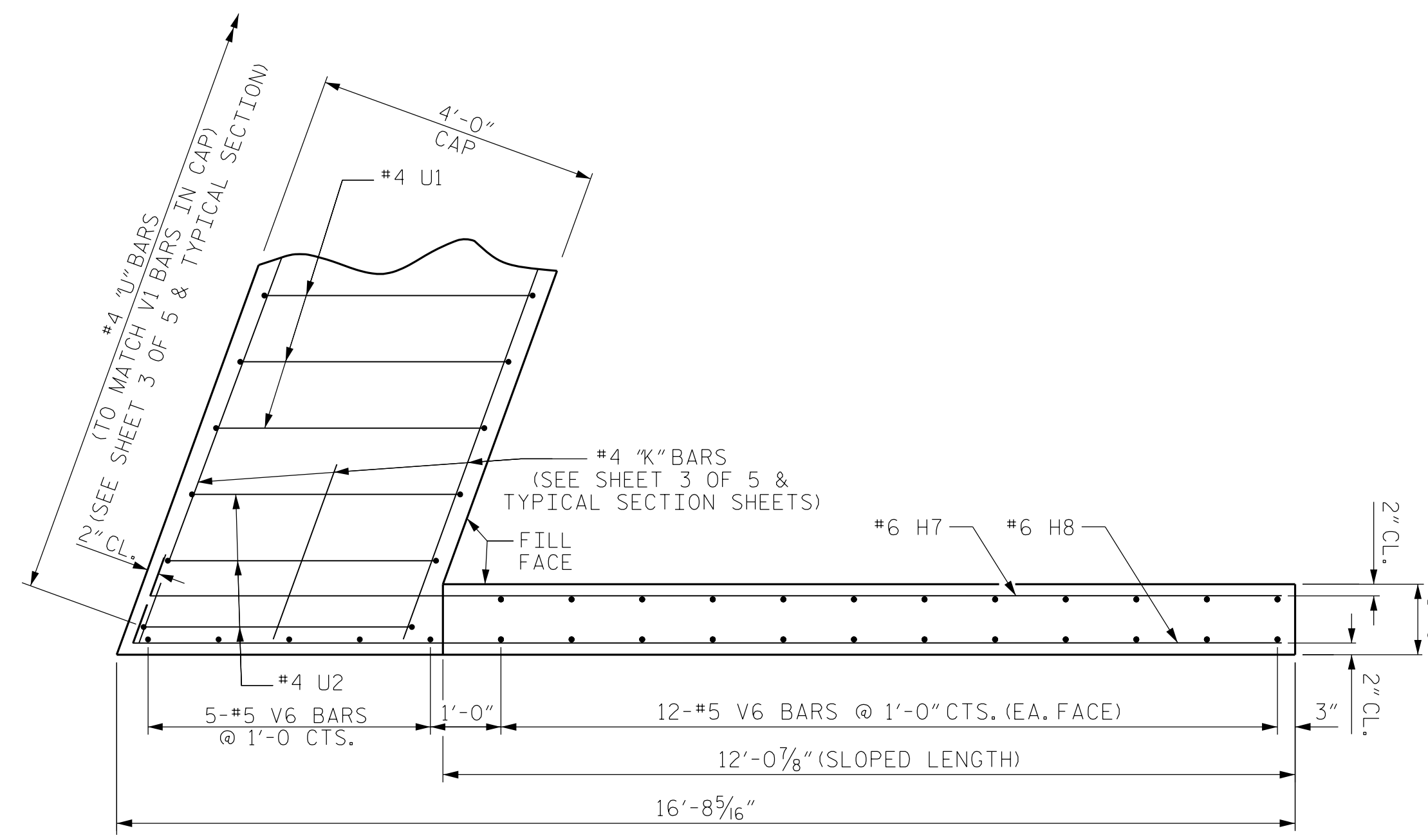
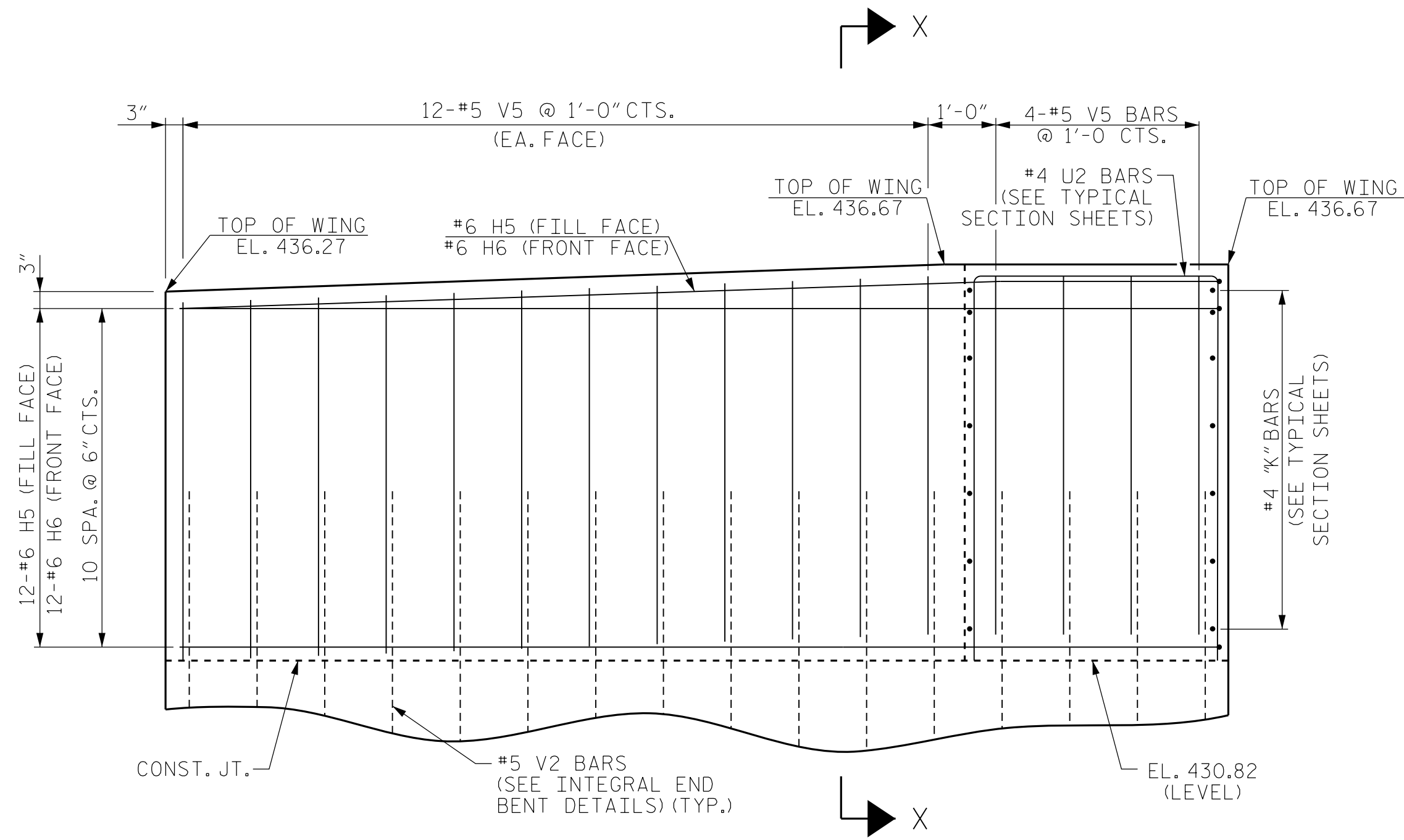


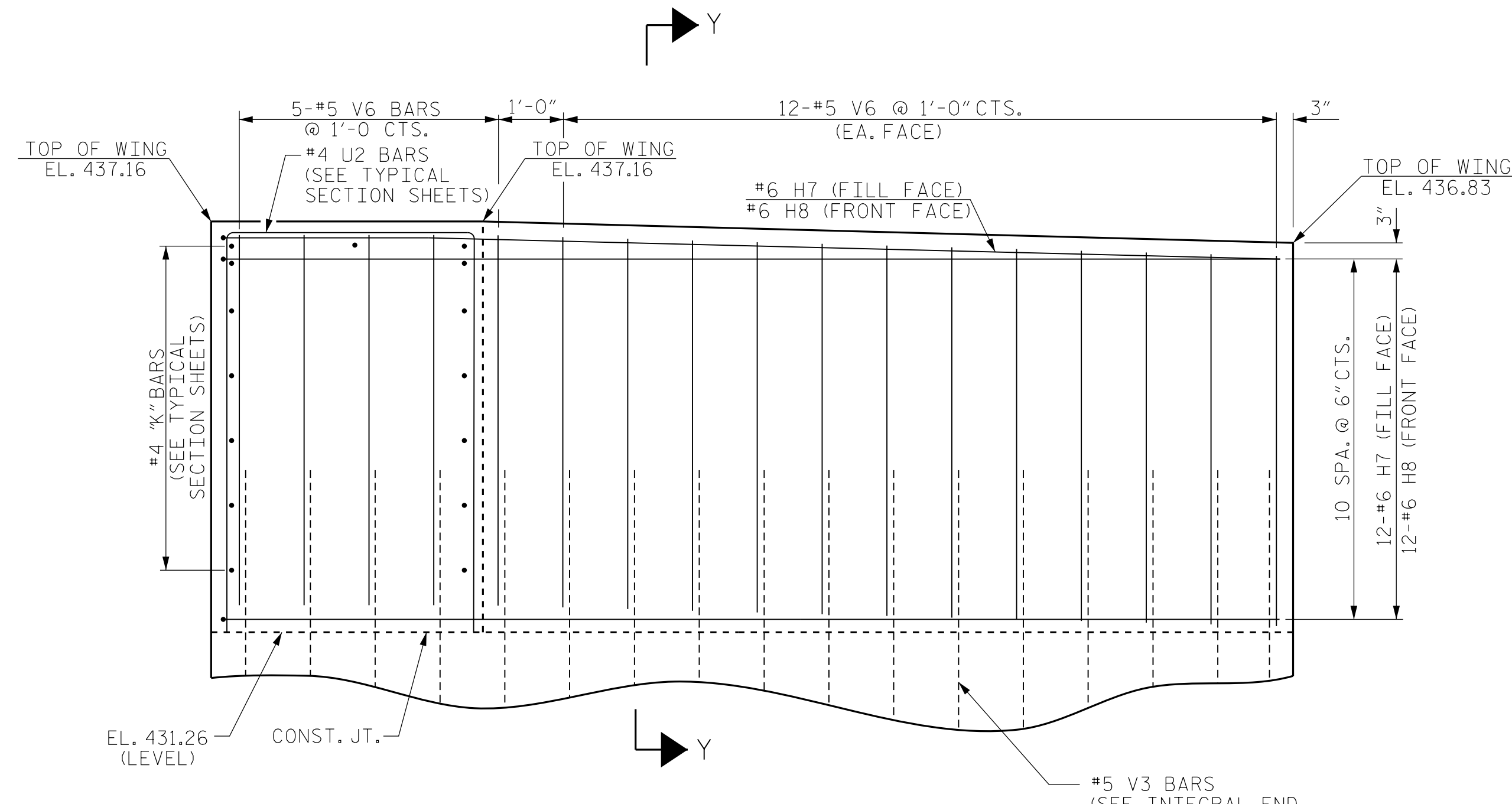
PLAN OF WING (W3)



PLAN OF WING (W4)

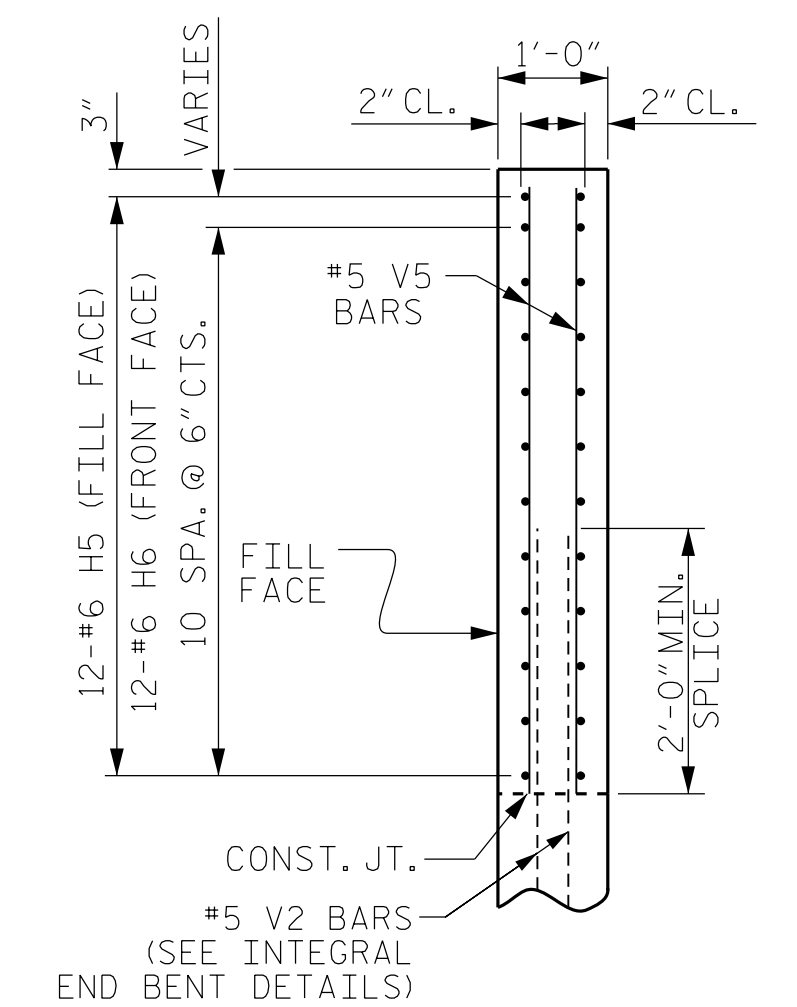


ELEVATION OF WING (W3)

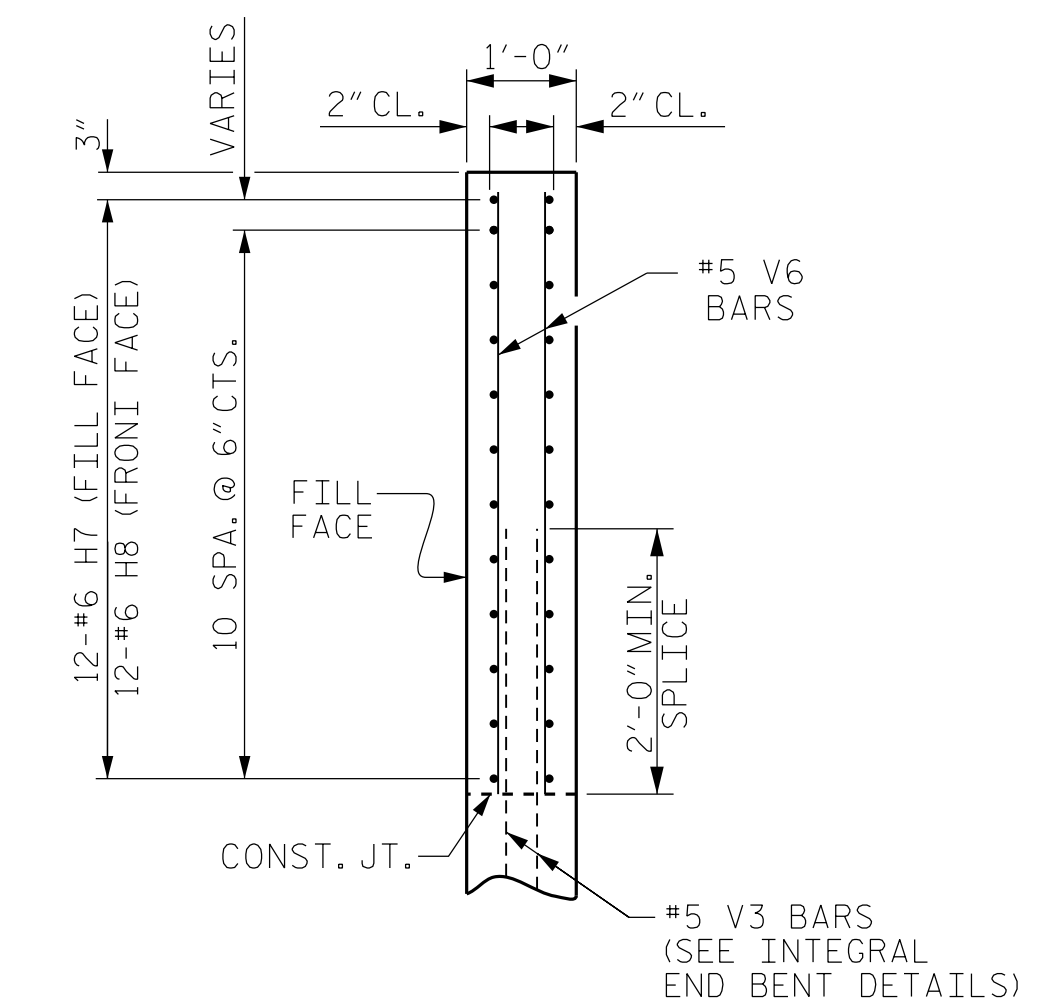


ELEVATION OF WING (W4)

WING DETAILS



SECTION X-X



SECTION Y-Y

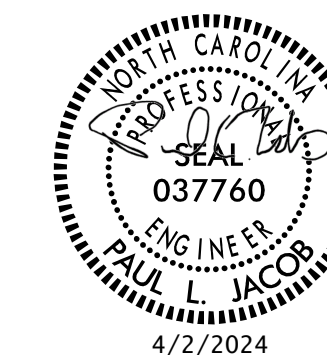
PROJECT NO. BR-0069

CASWELL COUNTY

STATION: 20+18.00 -L-

SHEET 5 OF 5

STATE OF NORTH CAROLINA
 DEPARTMENT OF TRANSPORTATION
 RALEIGH
 SUPERSTRUCTURE
 PLAN OF SPANS
 UPPER WING DETAILS
 AT INTEGRAL END BENT 2



DRAWN BY : M. ROSEMOND DATE : 6-2023
 CHECKED BY : J. LOFTUS DATE : 8-2023
 DESIGN ENGINEER OF RECORD: J. LOFTUS DATE : 3-2024

moffatt & nichol
 4700 FALLS OF NEUSE ROAD, SUITE 300
 RALEIGH, NORTH CAROLINA 27609
 (919) 781-4626 VOICE (919) 781-4869 FAX
 NC License No.: F-0105

DOCUMENT NOT CONSIDERED
 FINAL UNLESS ALL
 SIGNATURES COMPLETED

REVISIONS						SHEET NO.
NO.	BY:	DATE:	NO.	BY:	DATE:	TOTAL SHEETS
1			3			38
2			4			

3/20/2024 02:19:10 PM \\109\BHR-0069\Structures\01-CADD\02-Final Drawings\01-023_BR0069_SMJ_P505_012.160001.dgn jloftus