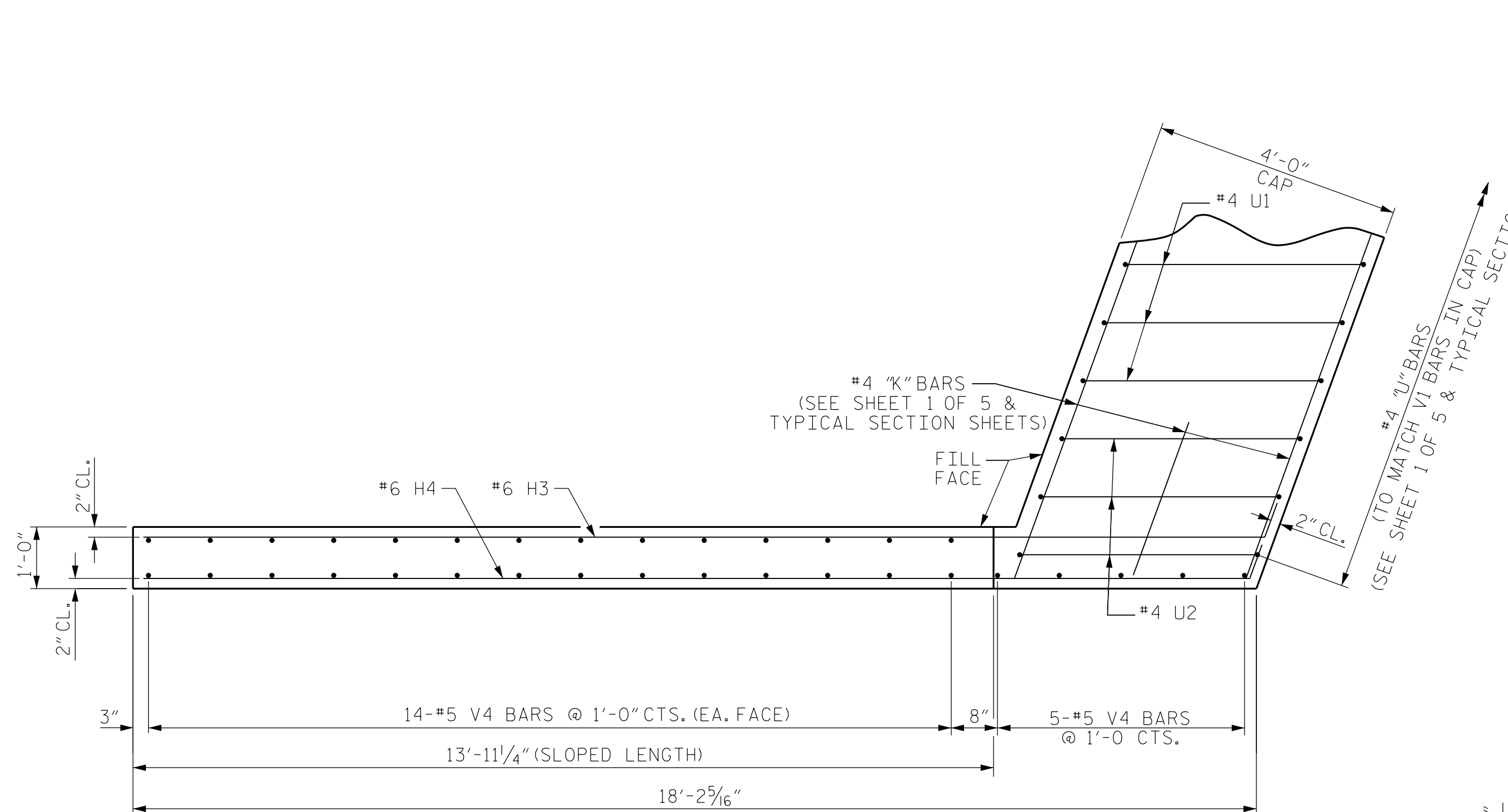
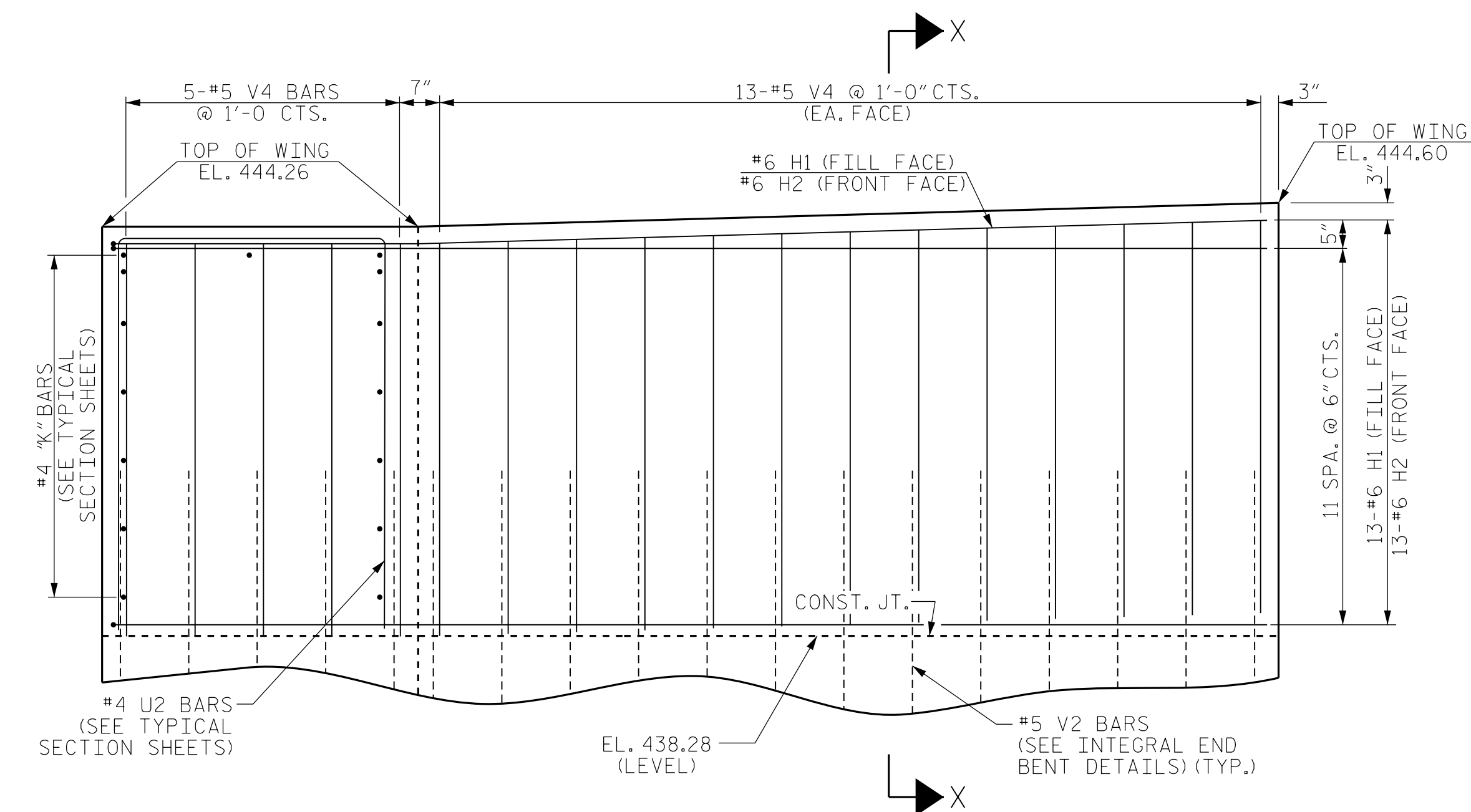


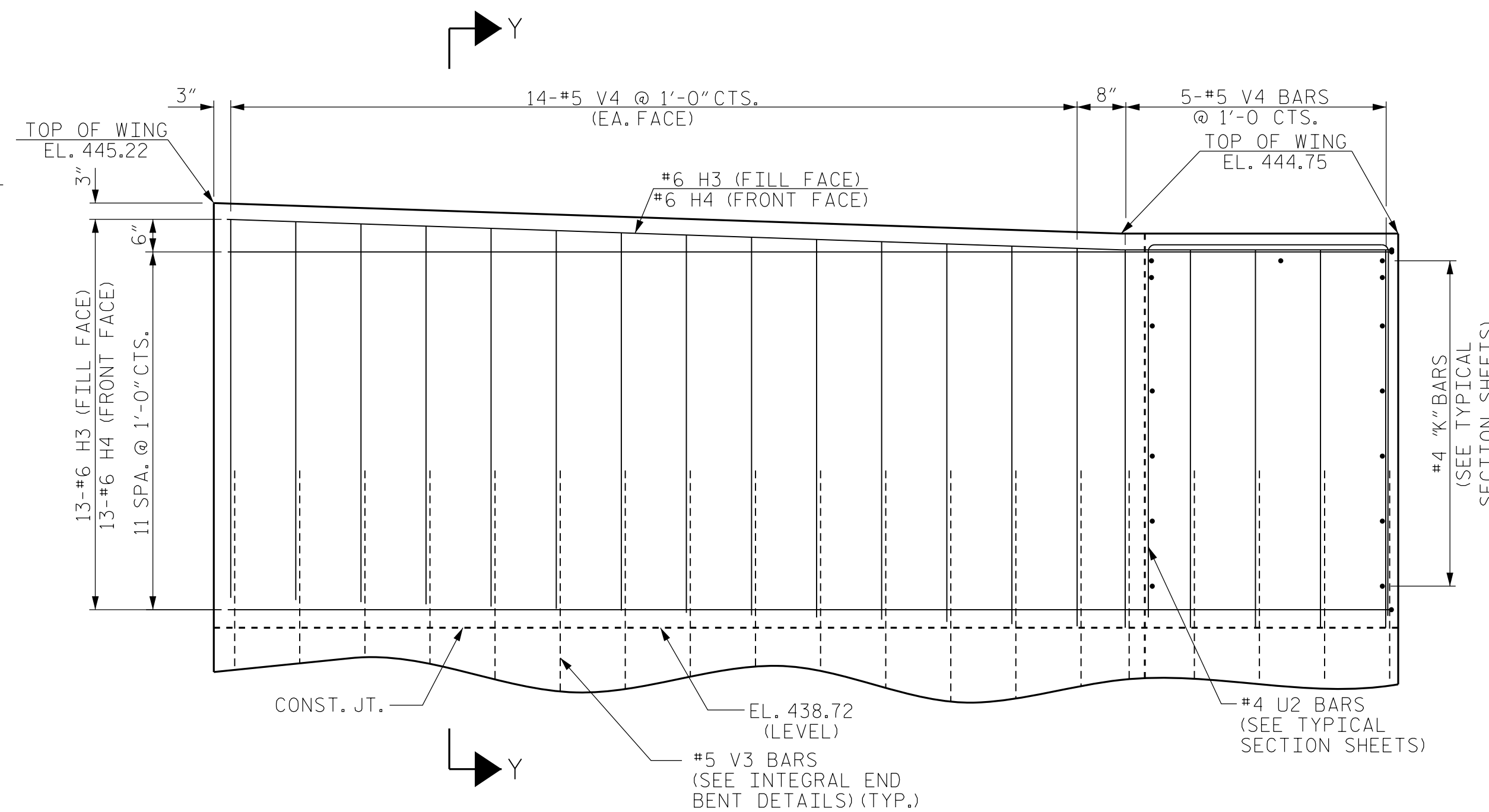
PLAN OF WING (W1)



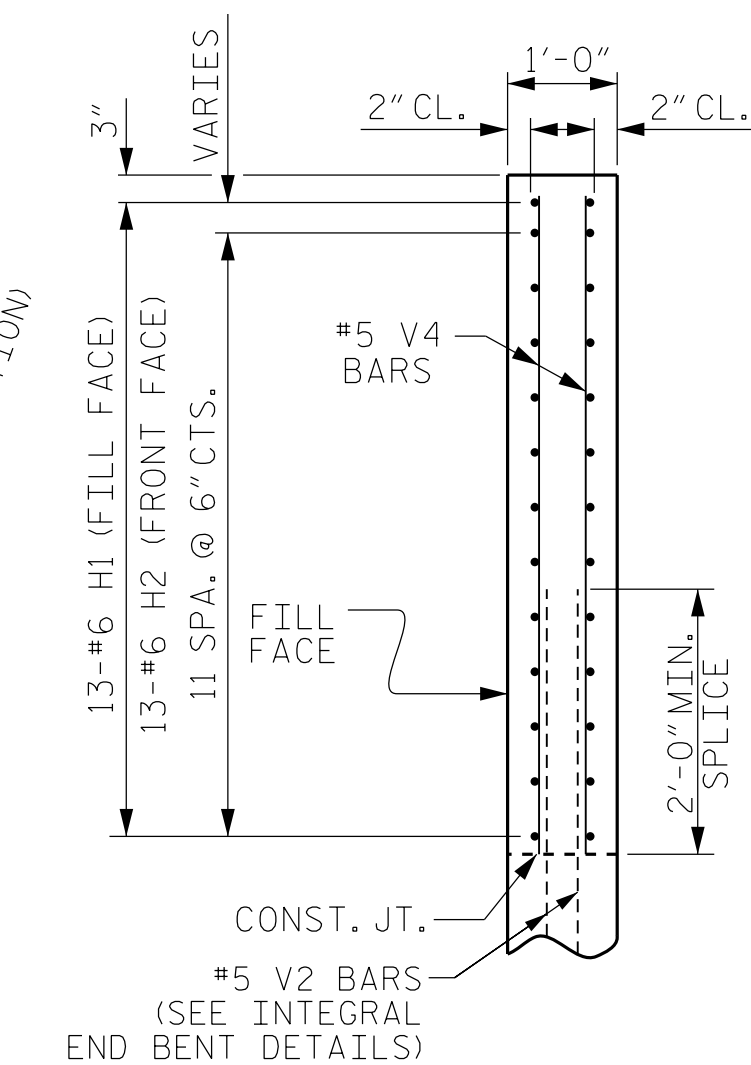
PLAN OF WING (W2)



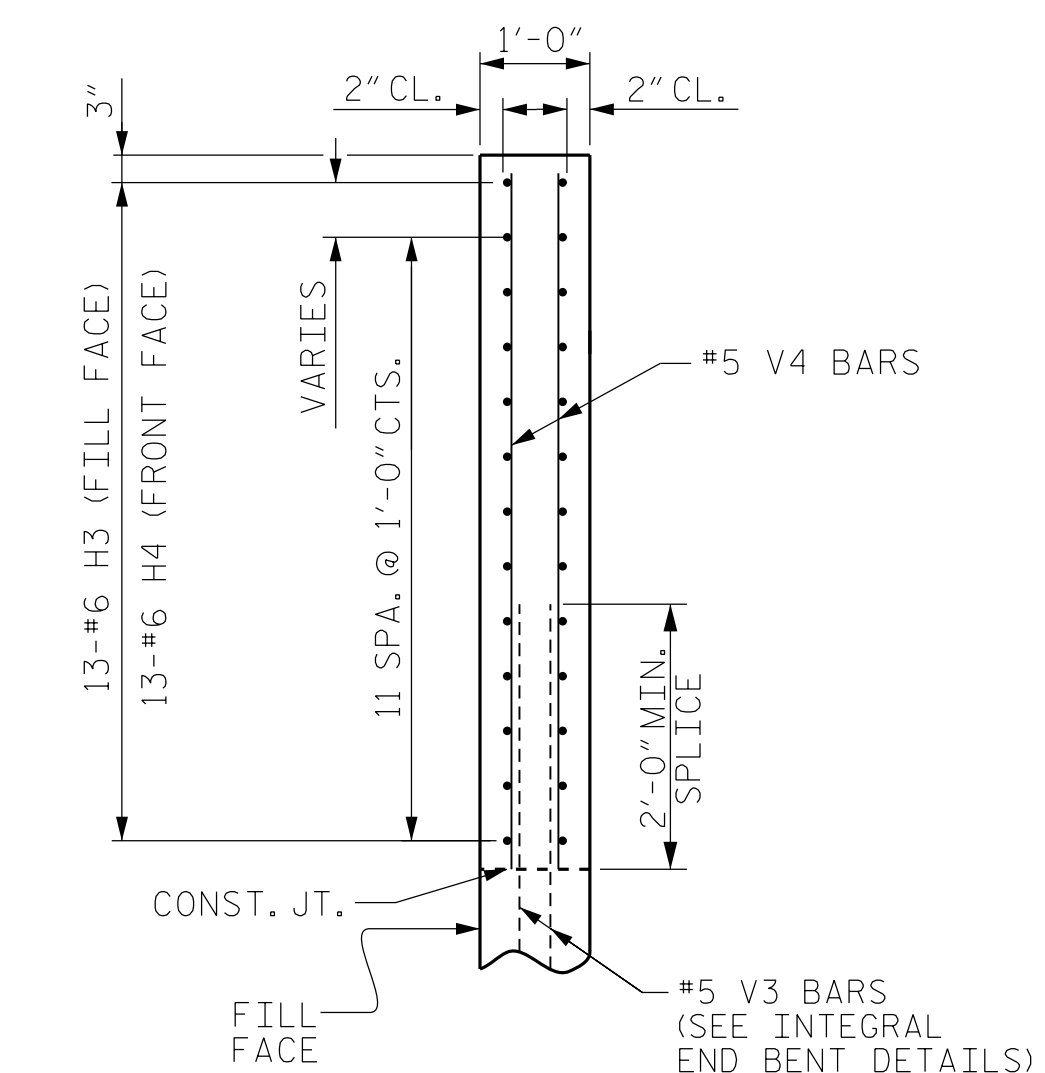
ELEVATION OF WING (W1)



ELEVATION OF WING (W2)



SECTION X-X



SECTION Y-Y

WING DETAILS

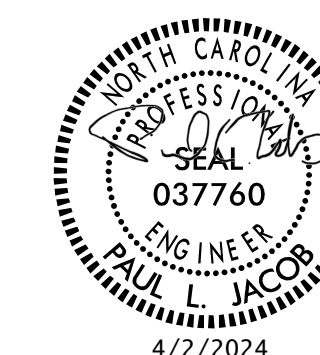
PROJECT NO. BR-0069

CASWELL COUNTY

STATION: 20+18.00 -L-

SHEET 4 OF 5

STATE OF NORTH CAROLINA
DEPARTMENT OF TRANSPORTATION
RALEIGH
SUPERSTRUCTURE
PLAN OF SPANS
UPPER WING DETAILS
AT INTEGRAL END BENT 1



DRAWN BY : M. ROSEMOND DATE : 6-2023
CHECKED BY : J. LOFTUS DATE : 8-2023
DESIGN ENGINEER OF RECORD: J. LOFTUS DATE : 3-2024

moffatt & nichol
4700 FALLS OF NEUSE ROAD, SUITE 300
RALEIGH, NORTH CAROLINA 27609
(919) 781-4626 VOICE (919) 781-4869 FAX
NC License No.: F-0105

DOCUMENT NOT CONSIDERED
FINAL UNLESS ALL
SIGNATURES COMPLETED

REVISIONS						SHEET NO.
NO.	BY:	DATE:	NO.	BY:	DATE:	S-11
1			3			TOTAL SHEETS
2			4			38

3/20/2024 02:14:01 109\BR-0069\Structures\01-CADD\02-Final Drawings\01_021_BR0069_SML_P504_011_160001.dgn jloftus