
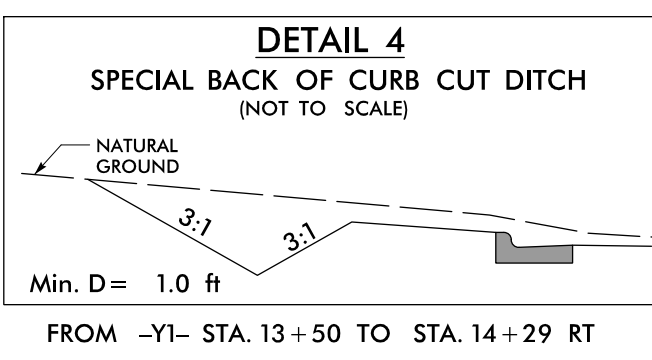
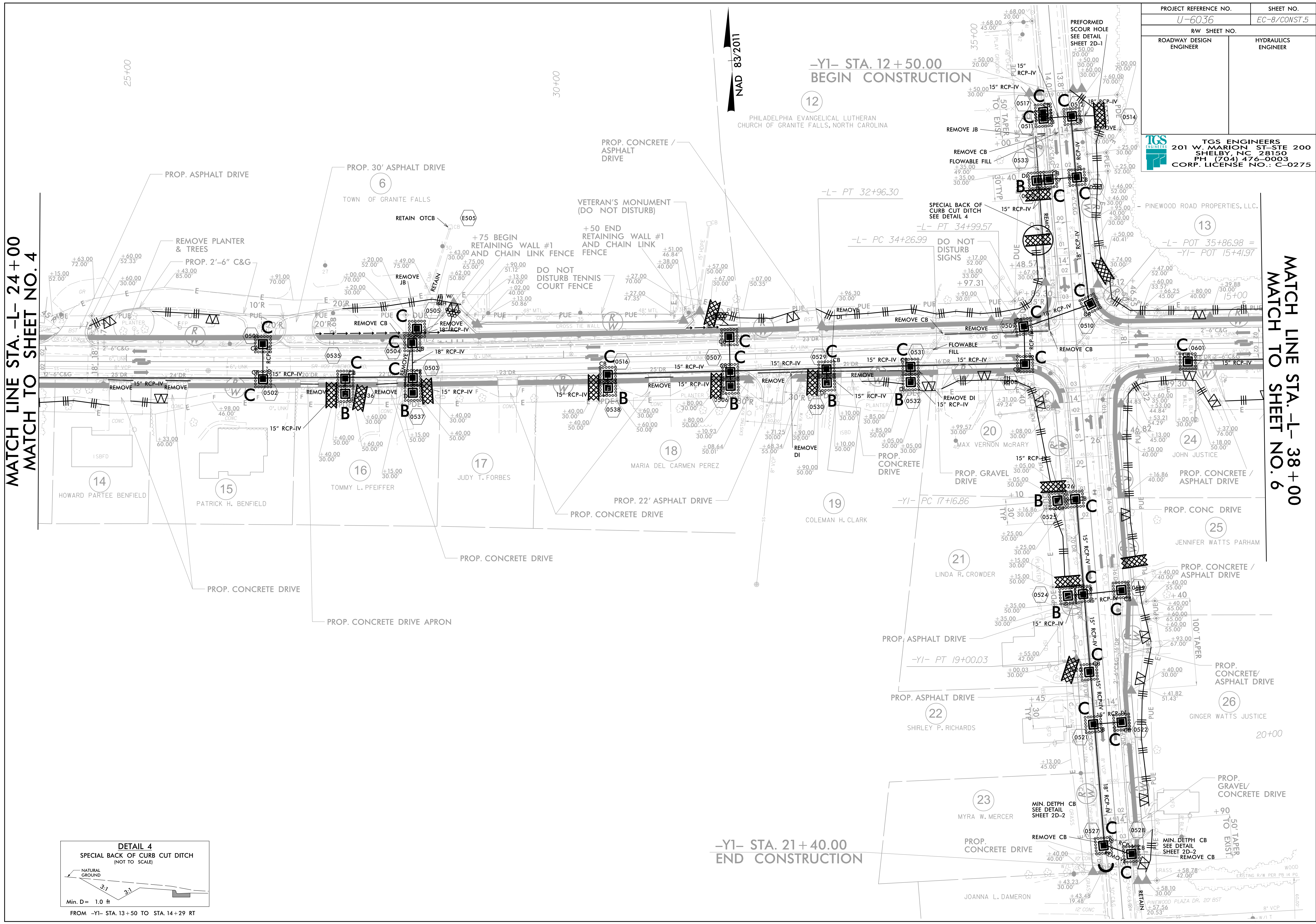


PROJECT REFERENCE NO.		SHEET NO.	
U-6036		EC-8/CONST.5	
RW SHEET NO.			
ROADWAY DESIGN ENGINEER		HYDRAULICS ENGINEER	
 <b>TGS ENGINEERS</b> 201 W. MARION ST. STE 200 SHELBY, NC 28150 PH (704) 476-0003 CORP. LICENSE NO.: C-0275			

MATCH LINE STA. -L- 24+00  
MATCH TO SHEET NO. 4

MATCH LINE STA. -L- 38+00  
MATCH TO SHEET NO. 6



-YI- STA. 21+40.00  
END CONSTRUCTION

-YI- STA. 12+50.00  
BEGIN CONSTRUCTION

