
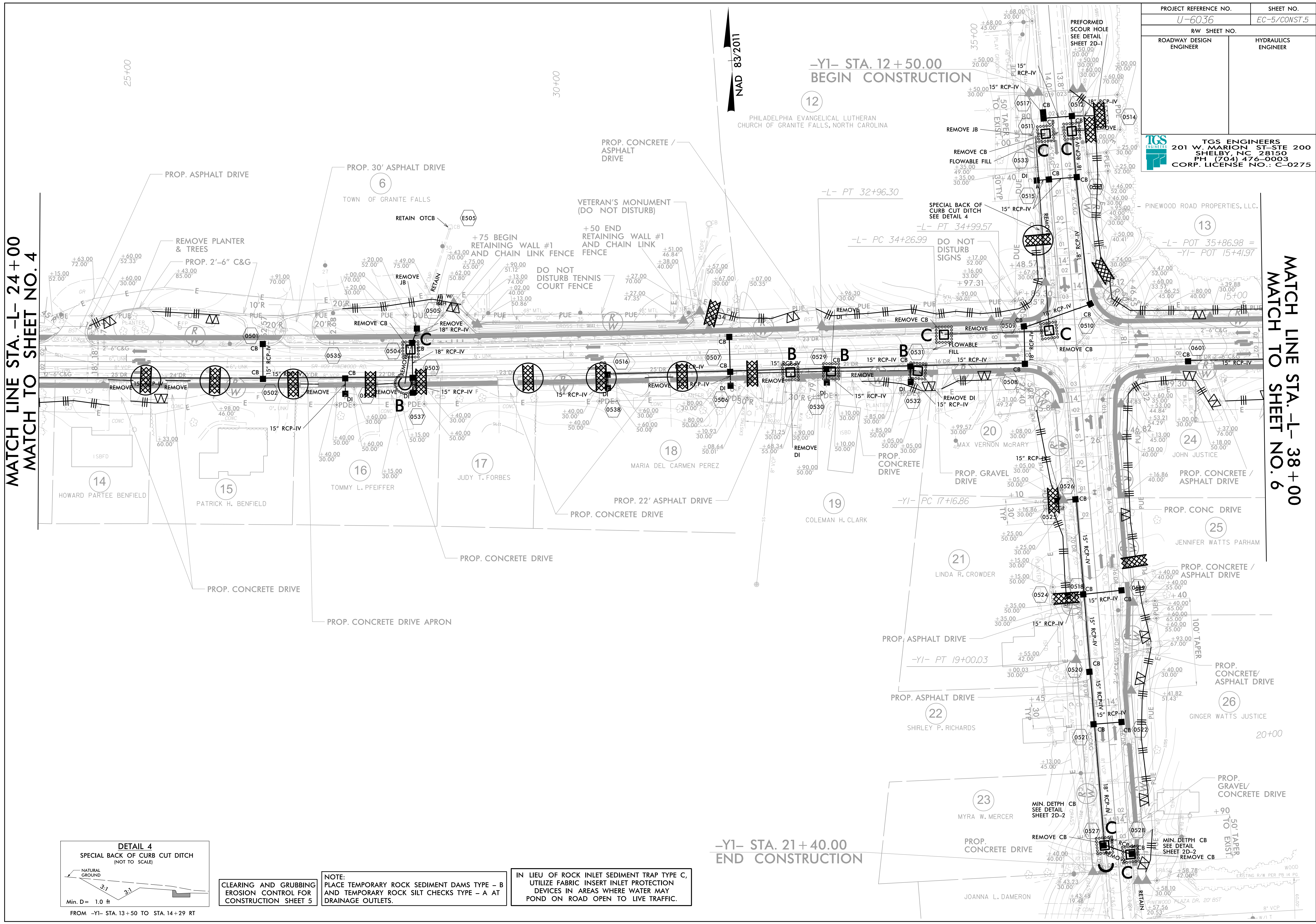
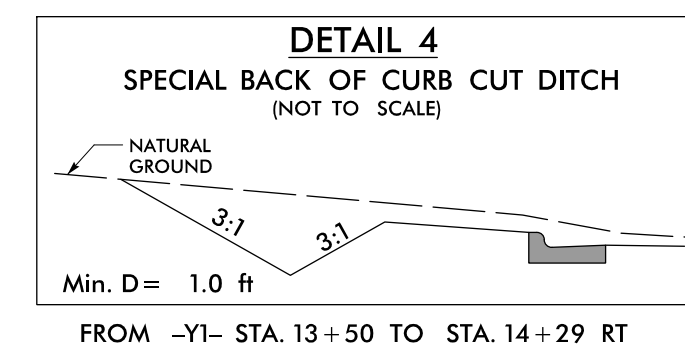


PROJECT REFERENCE NO.		SHEET NO.	
U-6036		EC-5/CONST.5	
RW SHEET NO.			
ROADWAY DESIGN ENGINEER		HYDRAULICS ENGINEER	
 TGS ENGINEERS 201 W. MARION ST. STE 200 SHELBY, NC 28150 PH (704) 476-0003 CORP. LICENSE NO.: C-0275			



MATCH LINE STA. -L- 24+00
MATCH TO SHEET NO. 4

MATCH LINE STA. -L- 38+00
MATCH TO SHEET NO. 6



CLEARING AND GRUBBING
EROSION CONTROL FOR
CONSTRUCTION SHEET 5

NOTE:
PLACE TEMPORARY ROCK SEDIMENT DAMS TYPE - B
AND TEMPORARY ROCK SILT CHECKS TYPE - A AT
DRAINAGE OUTLETS.

IN LIEU OF ROCK INLET SEDIMENT TRAP TYPE C,
UTILIZE FABRIC INSERT INLET PROTECTION
DEVICES IN AREAS WHERE WATER MAY
POND ON ROAD OPEN TO LIVE TRAFFIC.

-YI- STA. 21+40.00
END CONSTRUCTION