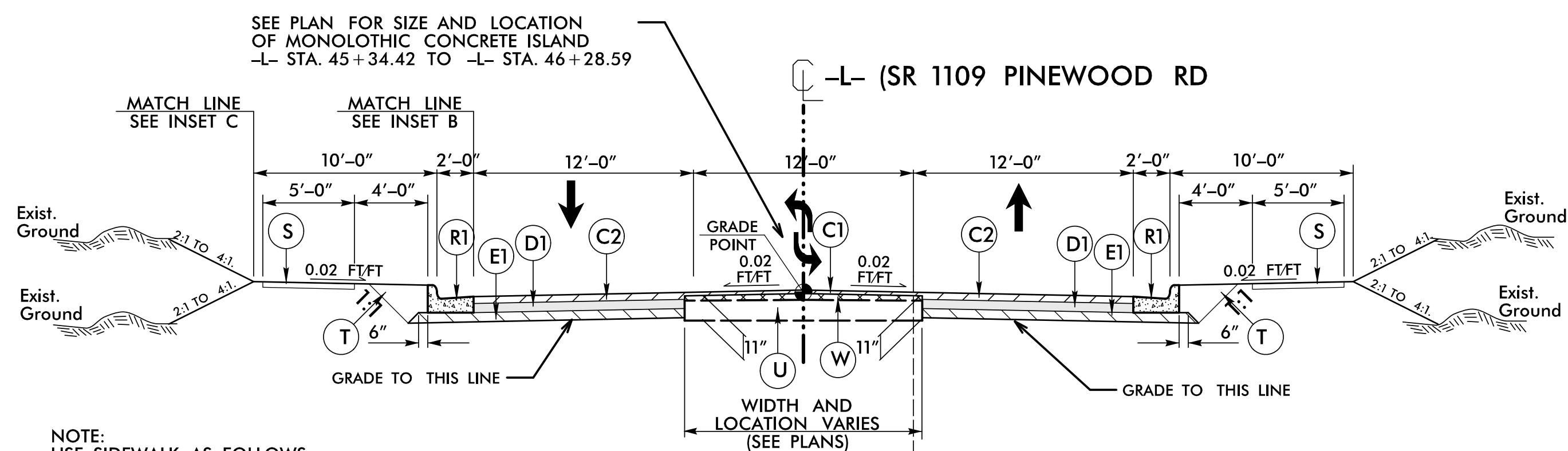


6/2/2023

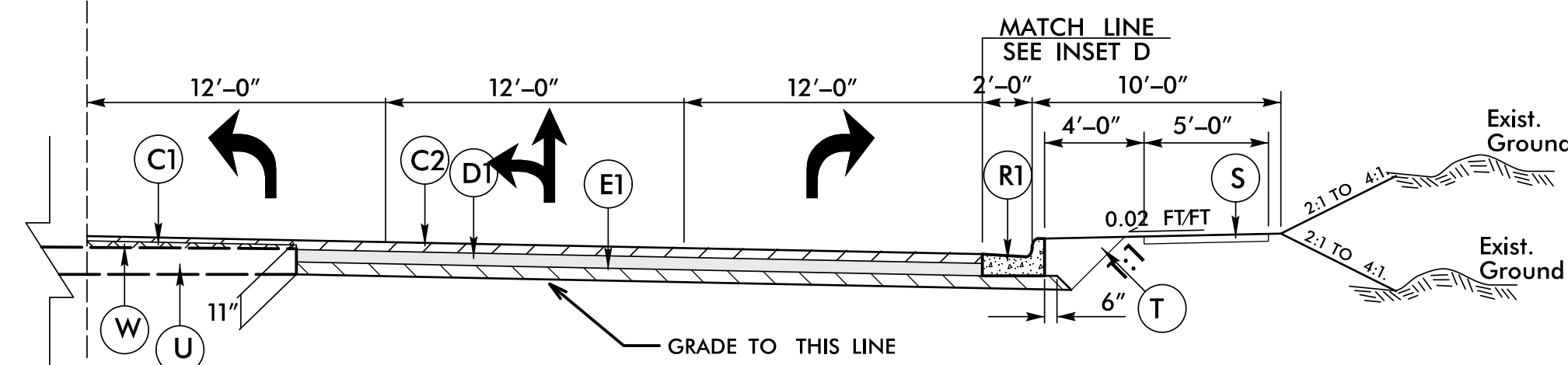
PAVEMENT SCHEDULE	
C1	1 1/2" S9.5C
C2	3" S9.5C
C3	VAR. S9.5C
D1	4" I19.0C
D2	VAR. I19.0C
E1	4" B25.0C
E2	VAR. B25.0C
R1	2'-6" C&G
R4	9" X 12" CURB
S	SIDEWALK
T	EARTH MATERIAL
U	EXIST. PAVEMENT
V	MILLING
W	WEDGING



NOTE:
 USE SIDEWALK AS FOLLOWS:
 -L- STA. 20+43.03 TO -L- STA. 46+56.06, LT
 -L- STA. 19+91.67 TO -L- STA. 46+56.06, RT

TYPICAL SECTION NO. 3

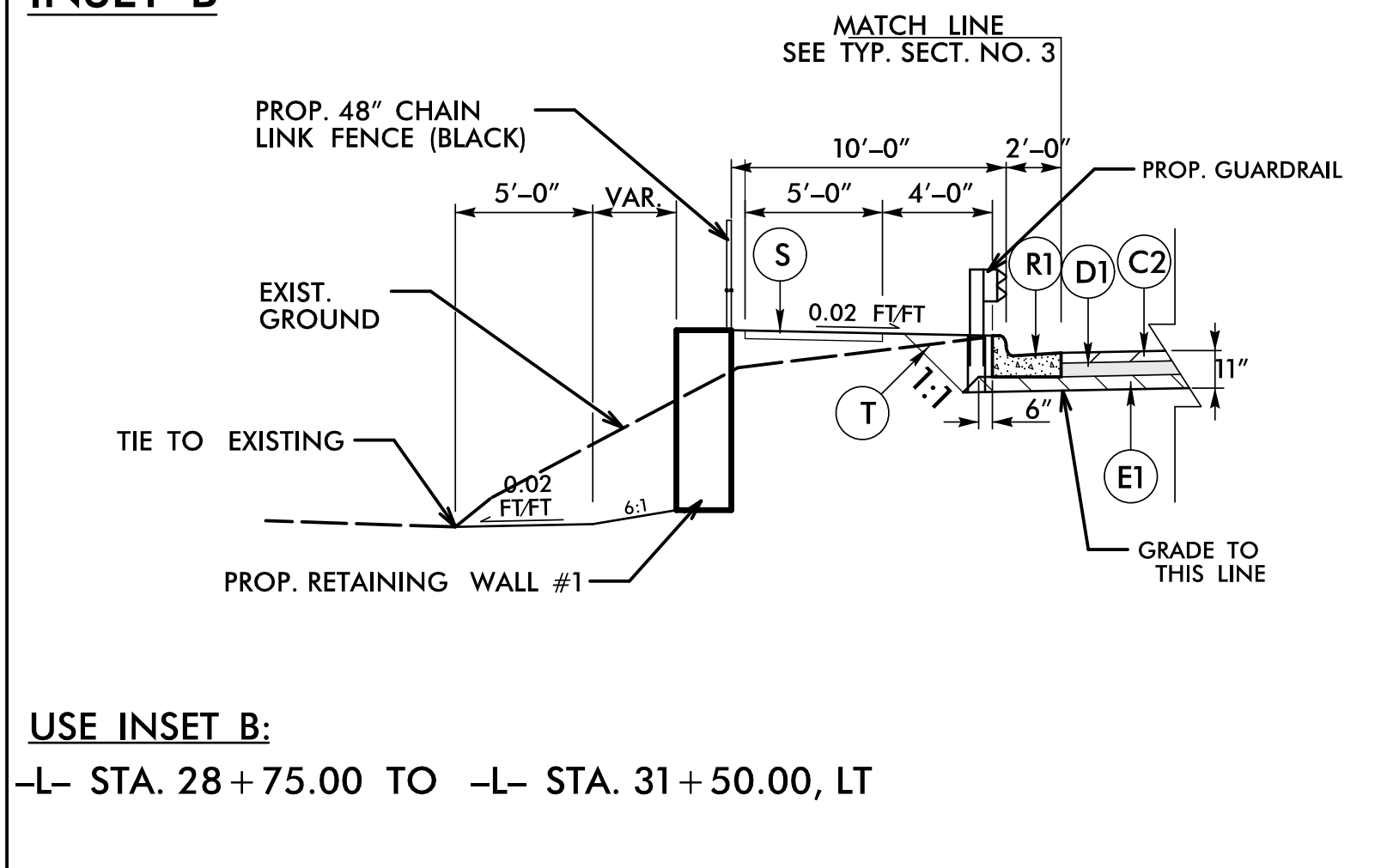
USE TYPICAL SECTION NO. 3
 -L- STA. 16+37.91 TO -L- STA. 46+56.06



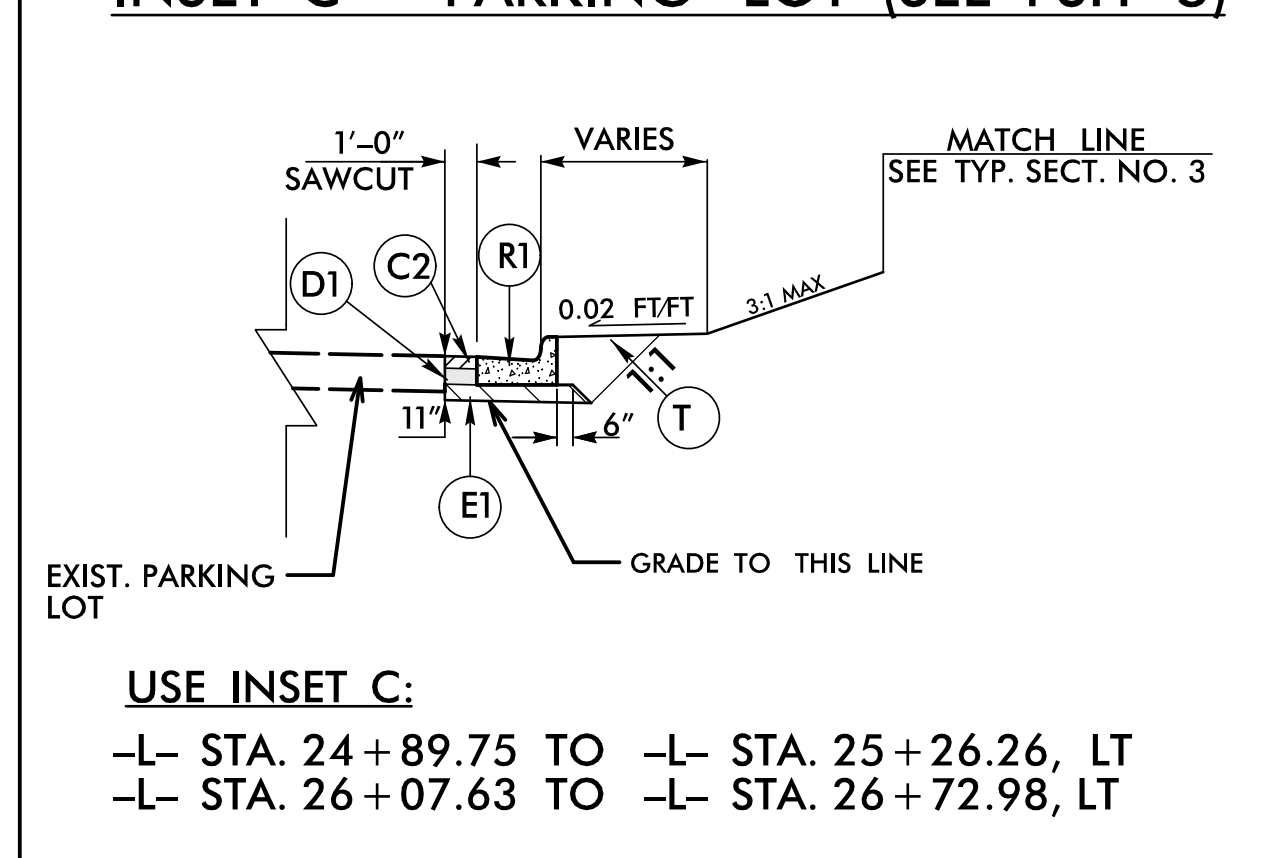
PART SECTION NO. 3A

USE PART SECTION NO. 3A
 -L- STA. 40+80.00 TO -L- STA. 46+56.06

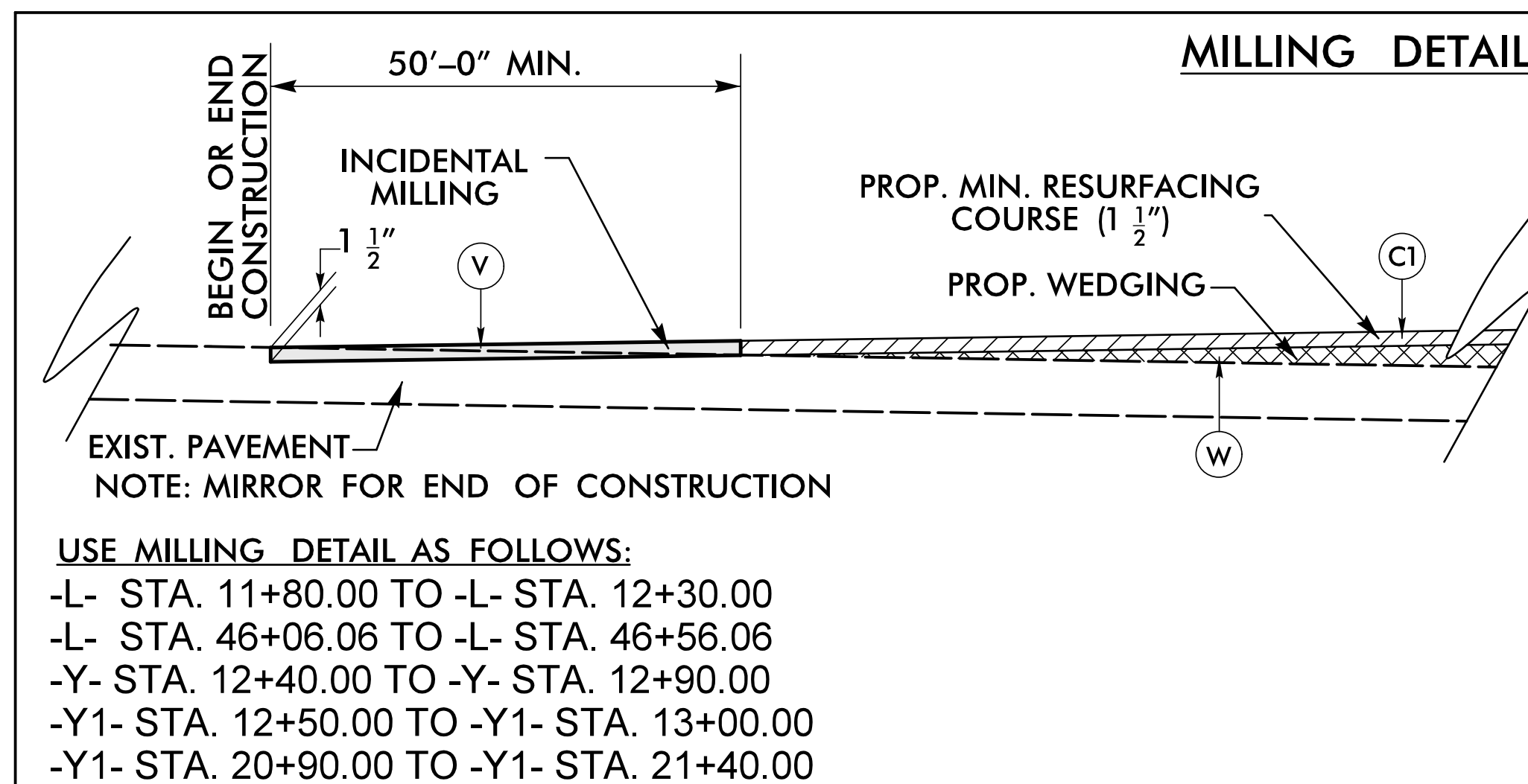
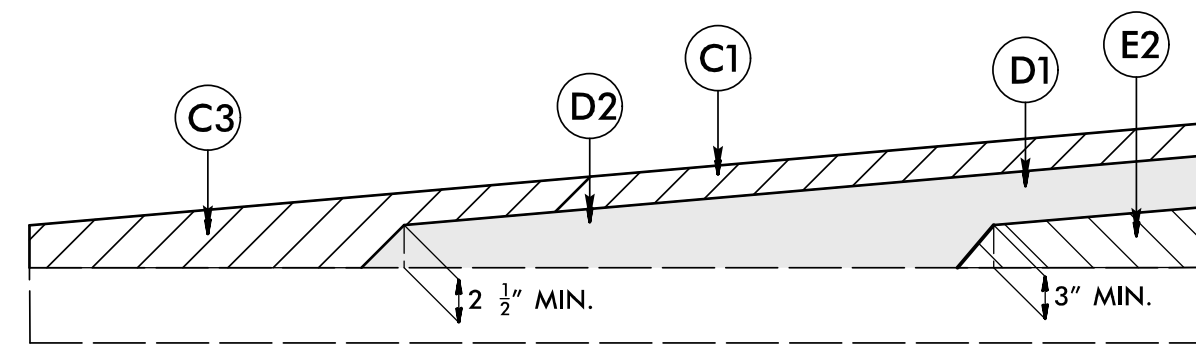
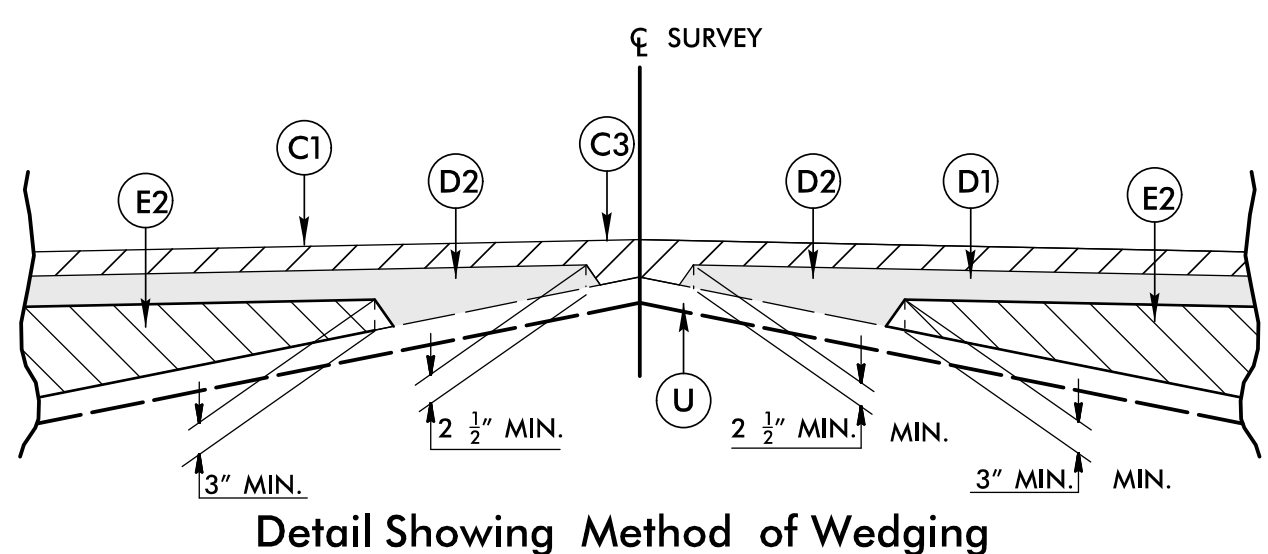
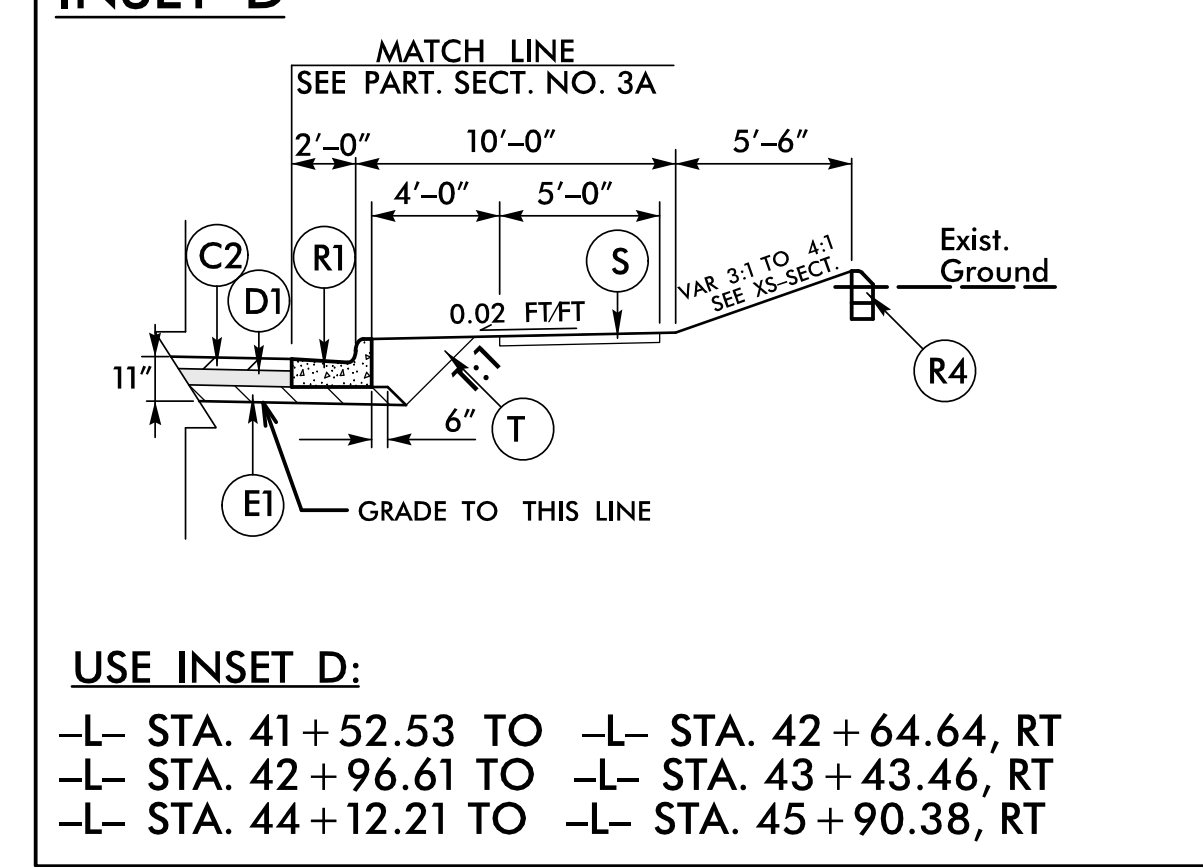
INSET B



INSET C - PARKING LOT (SEE PSH 5)



INSET D



PROJECT REFERENCE NO. U-6036	SHEET NO. 2A-2
ROADWAY DESIGN ENGINEER JOBAL TERRY 35018	PAVEMENT DESIGN ENGINEER RAMIE A. SHAW 04985
<p>DOCUMENT NOT CONSIDERED FINAL UNLESS ALL SIGNATURES COMPLETED</p>	
<p>TGS ENGINEERS 201 W. MARION ST., STE 200 SHELBY, NC 28150 PH (704) 476-0003 CORP. LICENSE NO.: C-0275</p>	

K:\Roadway\6036\Roadway\Proj\U-6036_Rdy_tjpr.dgn
 User: jpr
 Date: 6/2/2023 10:58:11 AM