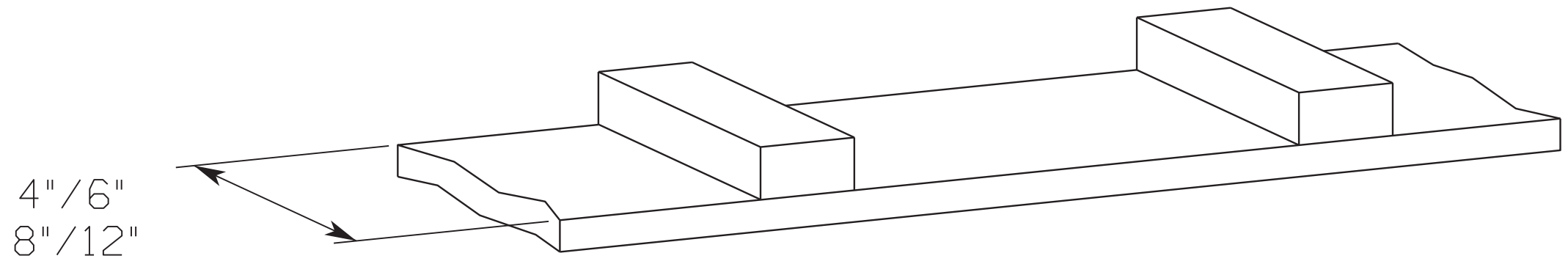
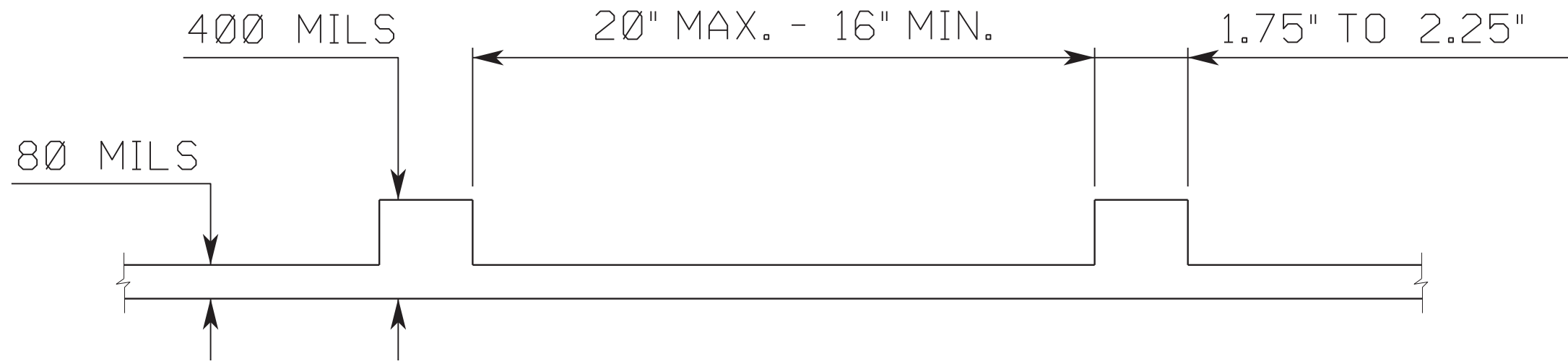


PROFILED MARKING DETAIL



\$\$\$\$\$SYTIME\$\$\$\$\$
 \$\$\$\$\$\$DGN\$\$\$\$\$
 \$\$\$\$\$\$USERNAME\$\$\$\$\$

APPROVED BY: <i>Matthew V. Springer</i>	DATE: 03/12/2024	PROFILED PAVEMENT MARKINGS		
	SCALE: NONE			
	DATE: _____			REVISIONS
	DWG. BY: _____			
	DESIGN BY: _____			
	REVIEWED BY: _____			