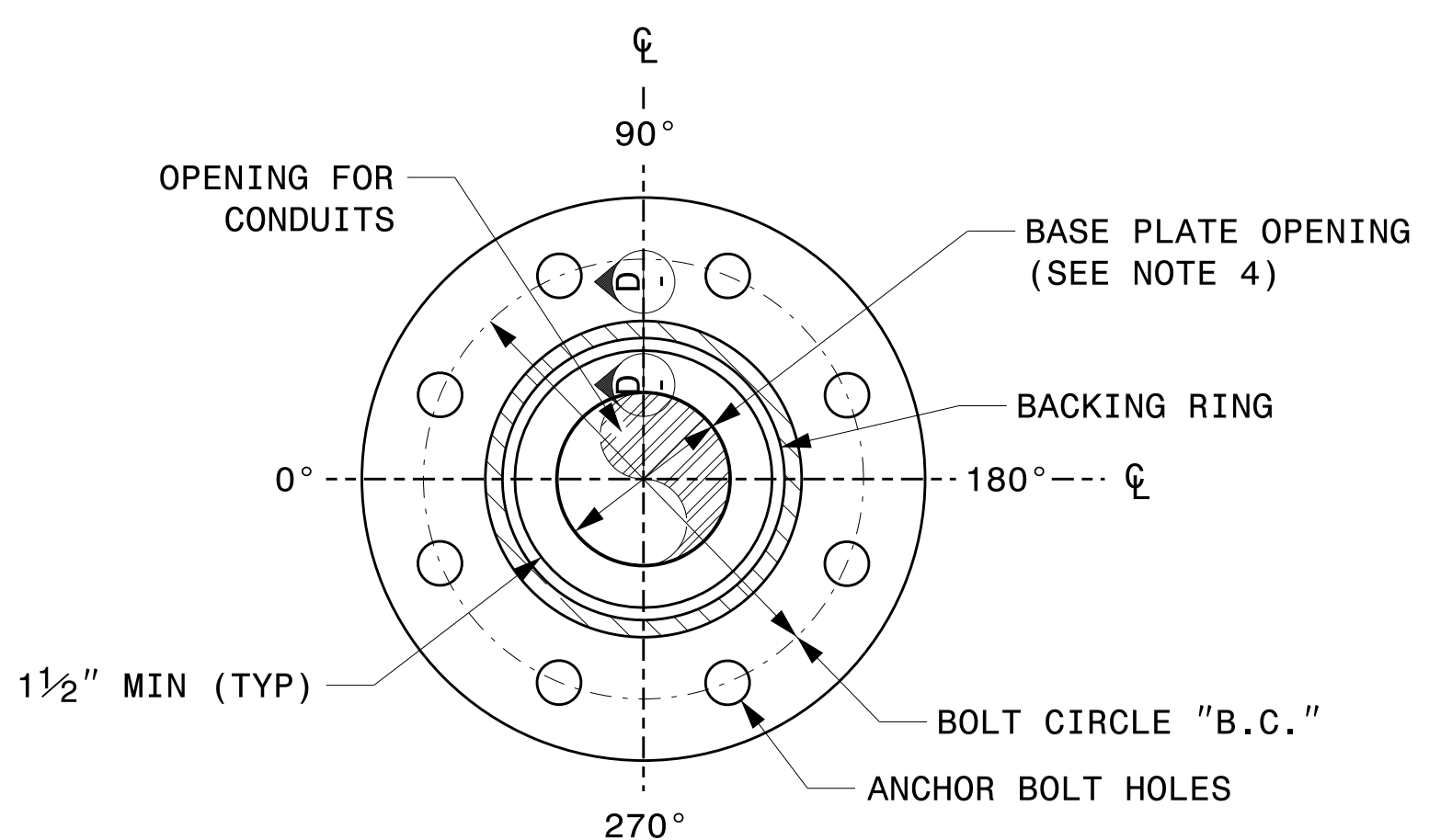
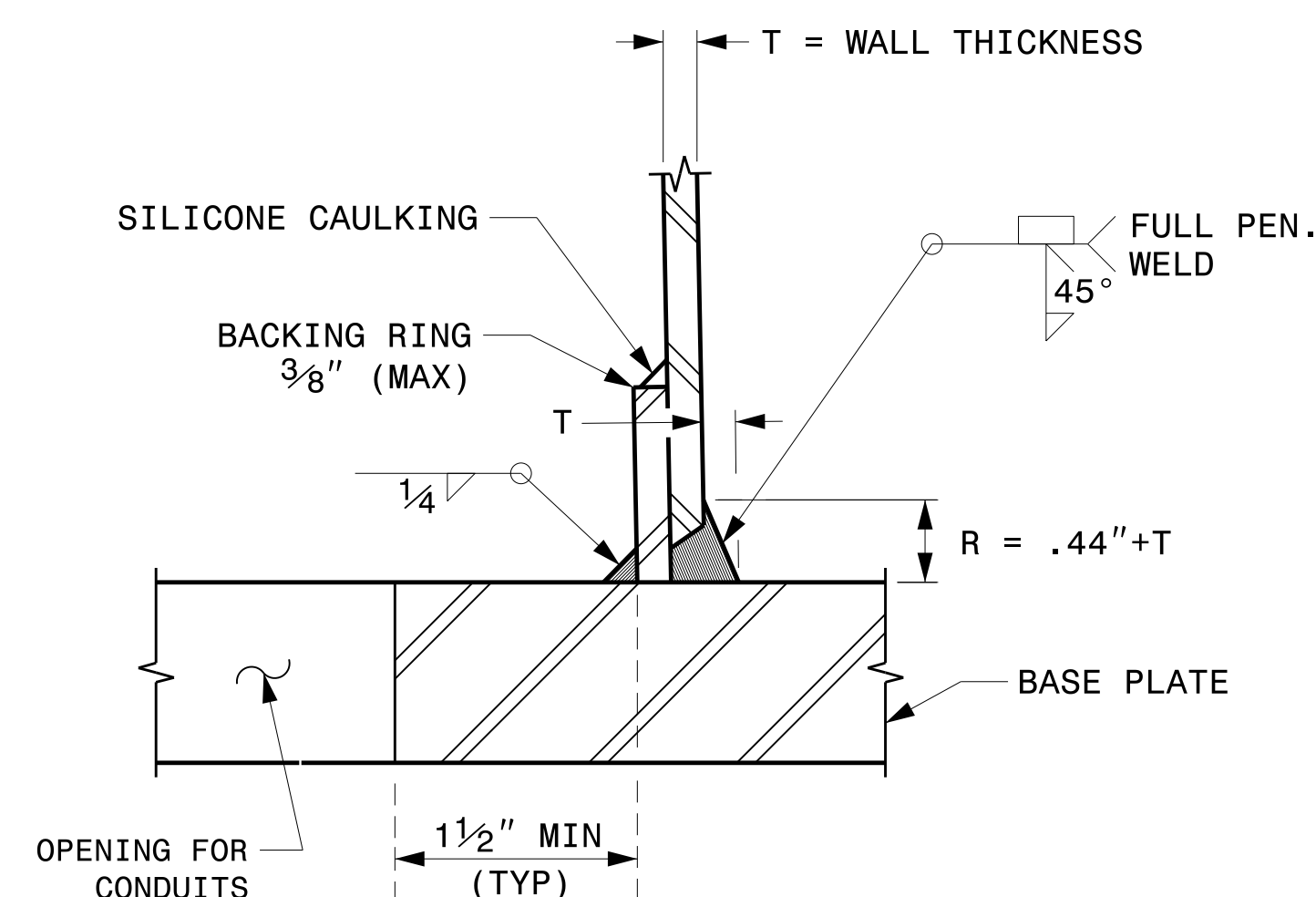


4 BOLT PATTERN FOR POLES UP TO 40'

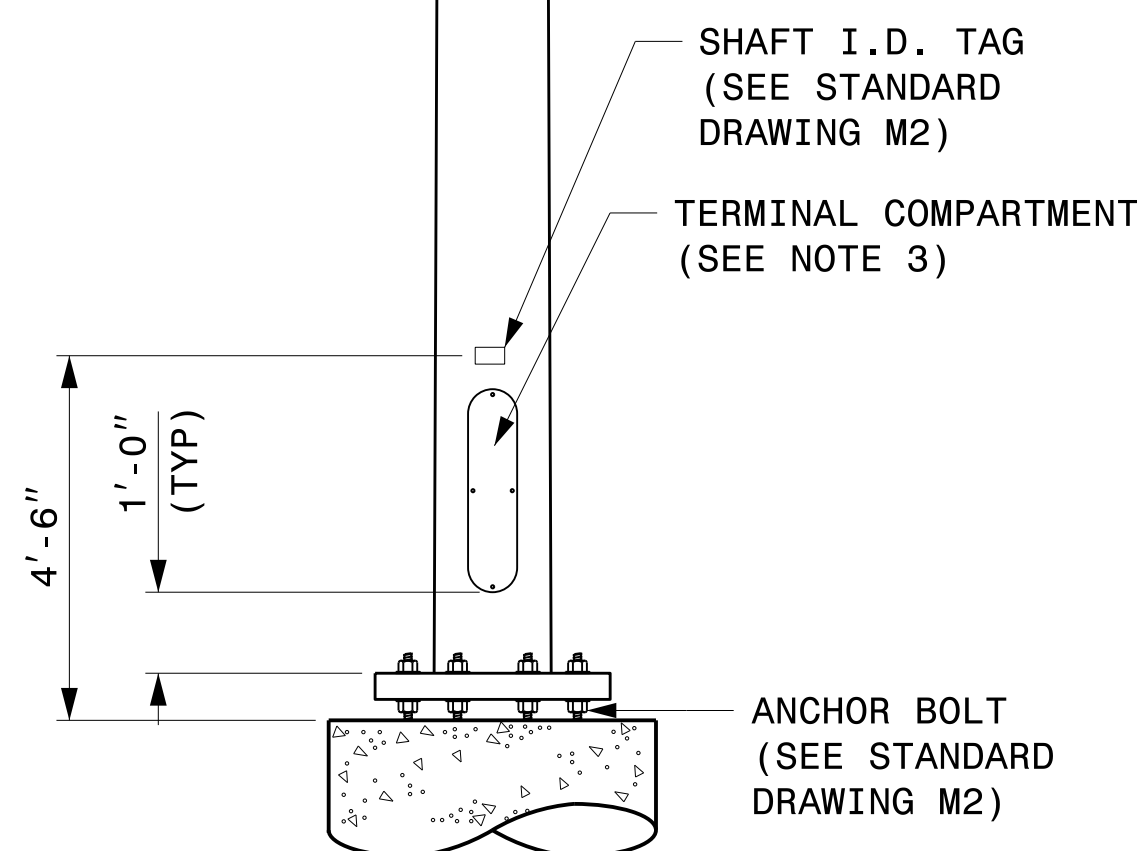


8 BOLT PATTERN FOR POLES TALLER THAN 40'

BASE PLATE DETAILS



SECTION D-D
(POLE ATTACHMENT TO BASE PLATE)
FULL - PENETRATION GROOVE WELD DETAIL



CCTV CAMERA POLE
(NOT TO SCALE)

NOTES:

1. THIS DRAWING PROVIDES BASIC DETAILS FOR CCTV POLES. PROJECT REQUIREMENTS MAY REQUIRE SPECIAL FACTORY PREPS THAT ARE NOT SHOWN ON THESE DETAILS.
2. DETAILS FOR INTERNAL CAMERA LOWERING SYSTEMS ARE NOT SHOWN.
3. POLE MOUNTED CABINETS MAY REQUIRE MODIFICATIONS TO THE LOWER HANDHOLE OPENING TO MOUNT CABINETS. 4" X 8" REINFORCED HANDHOLES ARE ACCEPTABLE OPTIONS, AND MAY BE PREFERRED.
4. OPENING IN POLE BASE SHALL BE EQUAL TO POLE BASE INSIDE DIAMETER MINUS 3 1/2" BUT SHALL NOT BE LESS THAN 8 1/2".
5. USE COMPACT SECTION CRITERIA D/T RATIO PER AASHTO LTS-LRFD 1ST EDITION SECTION 5.7.2.

Prepared in the Offices of:

750 N. Greenfield Pkwy, Garner, NC 27529

SCALE: 0 NONE

Typical Fabrication Details For CCTV Poles

PLAN DATE: SEPTEMBER 2023	DESIGNED BY: K.C. DURIGON
PREPARED BY: K.C. DURIGON	REVIEWED BY: C.F. ANDREWS
REVISIONS	INIT. DATE

SEAL

DocuSigned by:
Kevin Durigon
4B23DC79B3784DA

09/23/2023

02-dct-2023-10-15
S:\ISSUES\15 Signal\Signal Design\Structures\Drawings\2024 Merit Pole Std Drawings for LRF02024 Sig.M9 Fabrication Details - CCTV Poles.dgn
Kedar Tigon