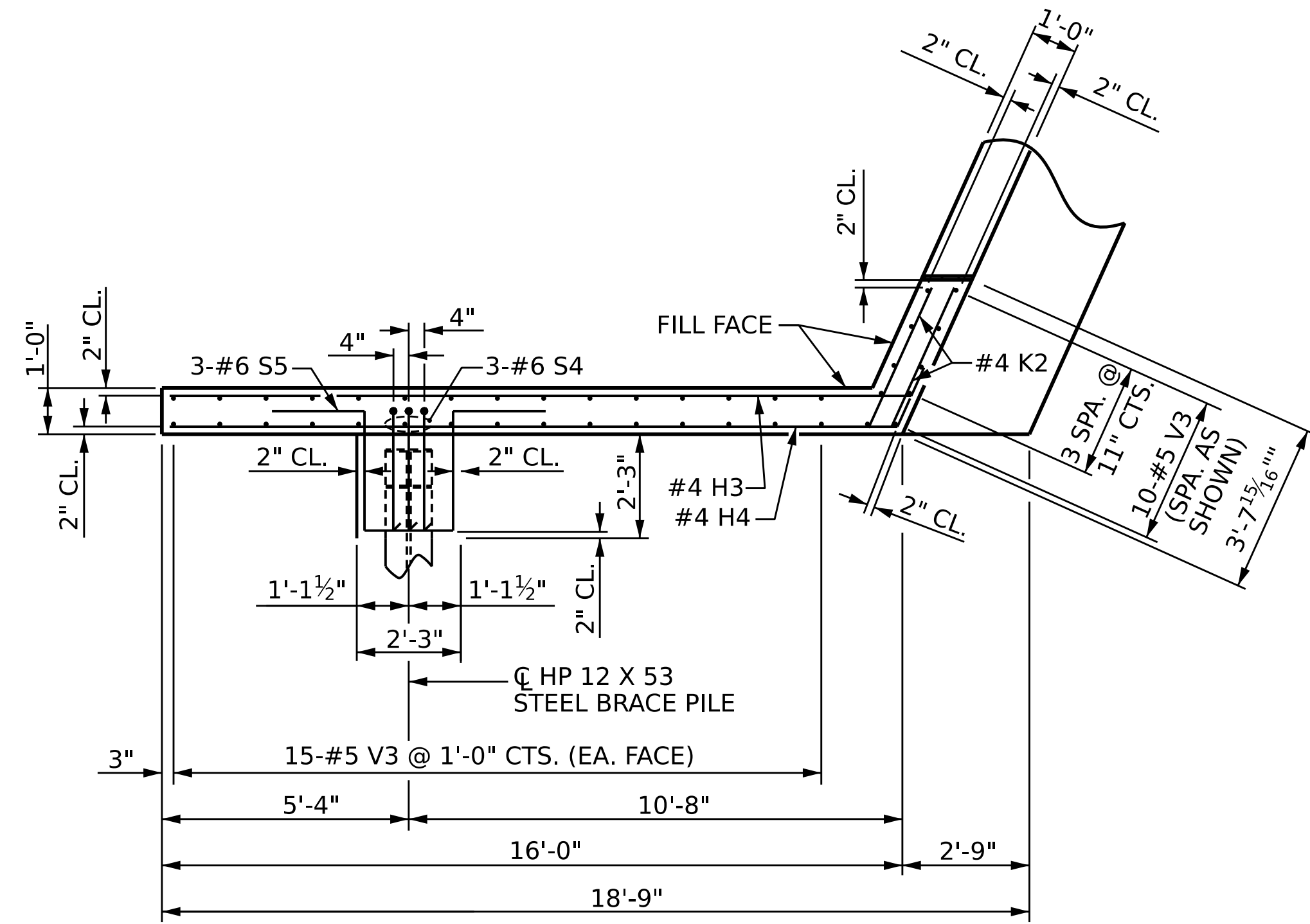
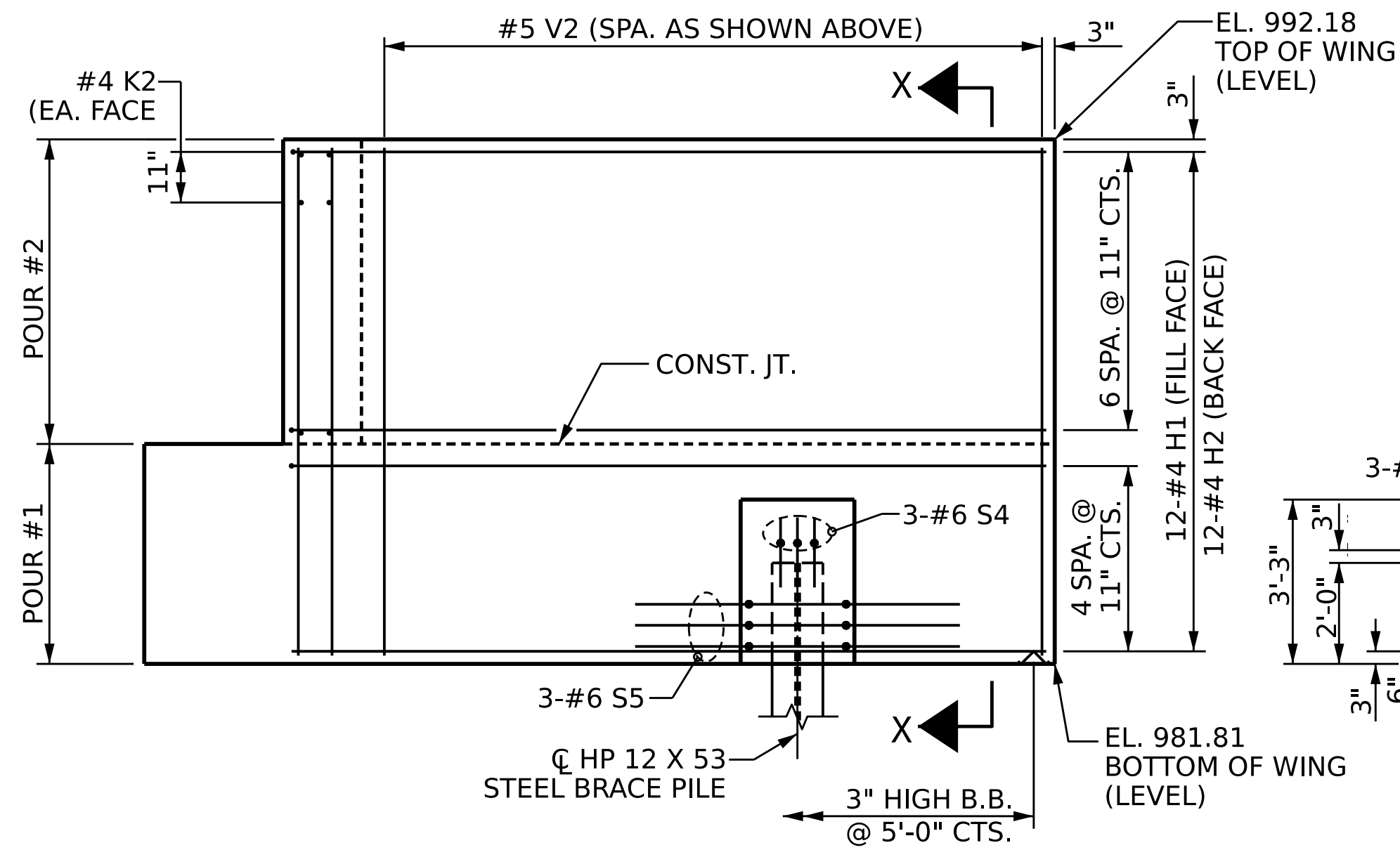


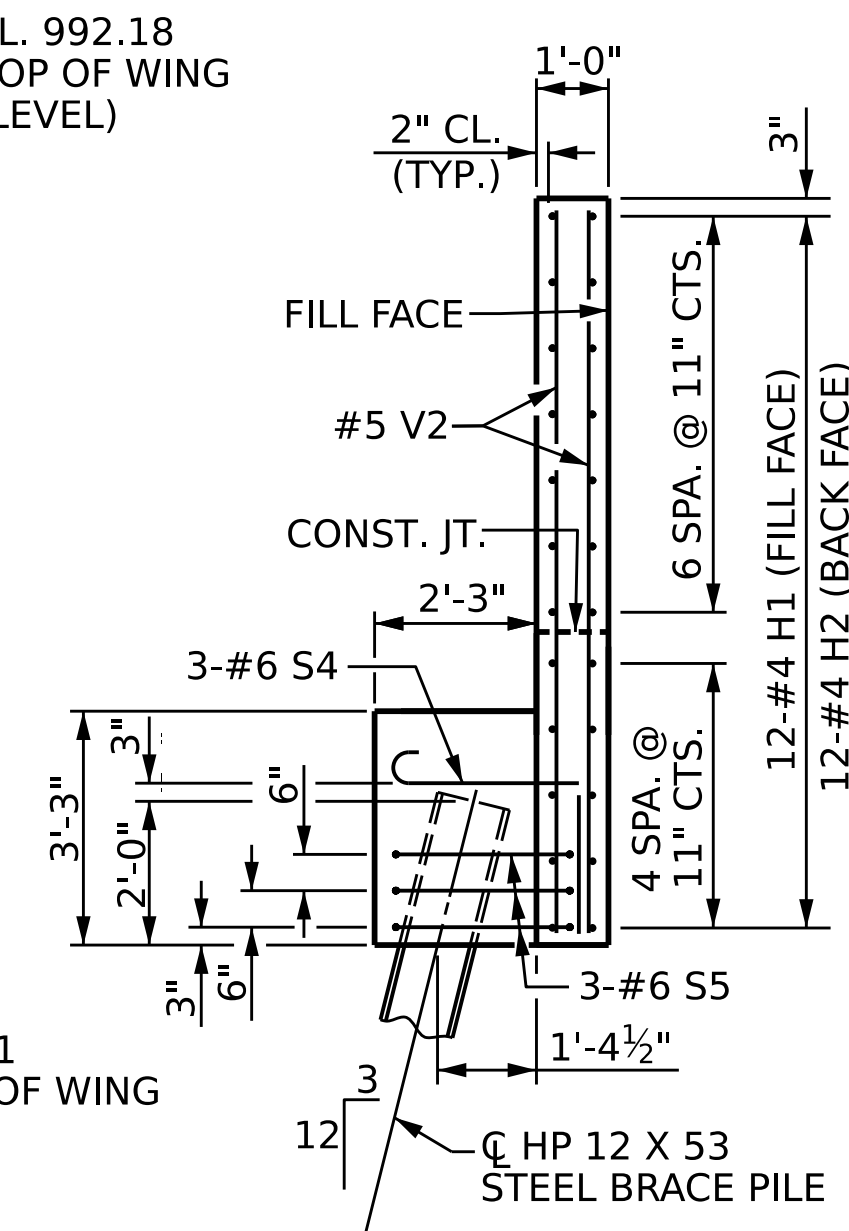
PLAN OF WING (W1)



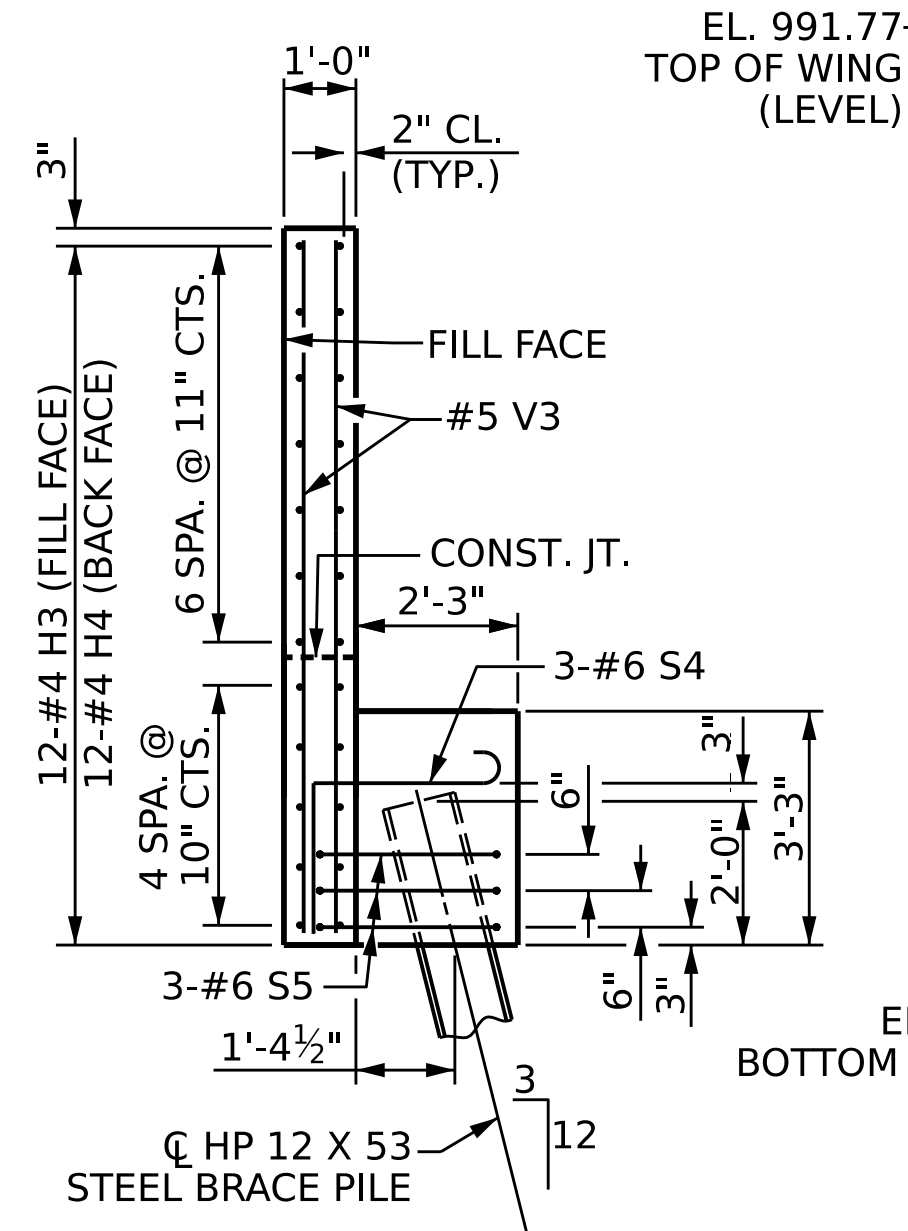
PLAN OF WING (W2)



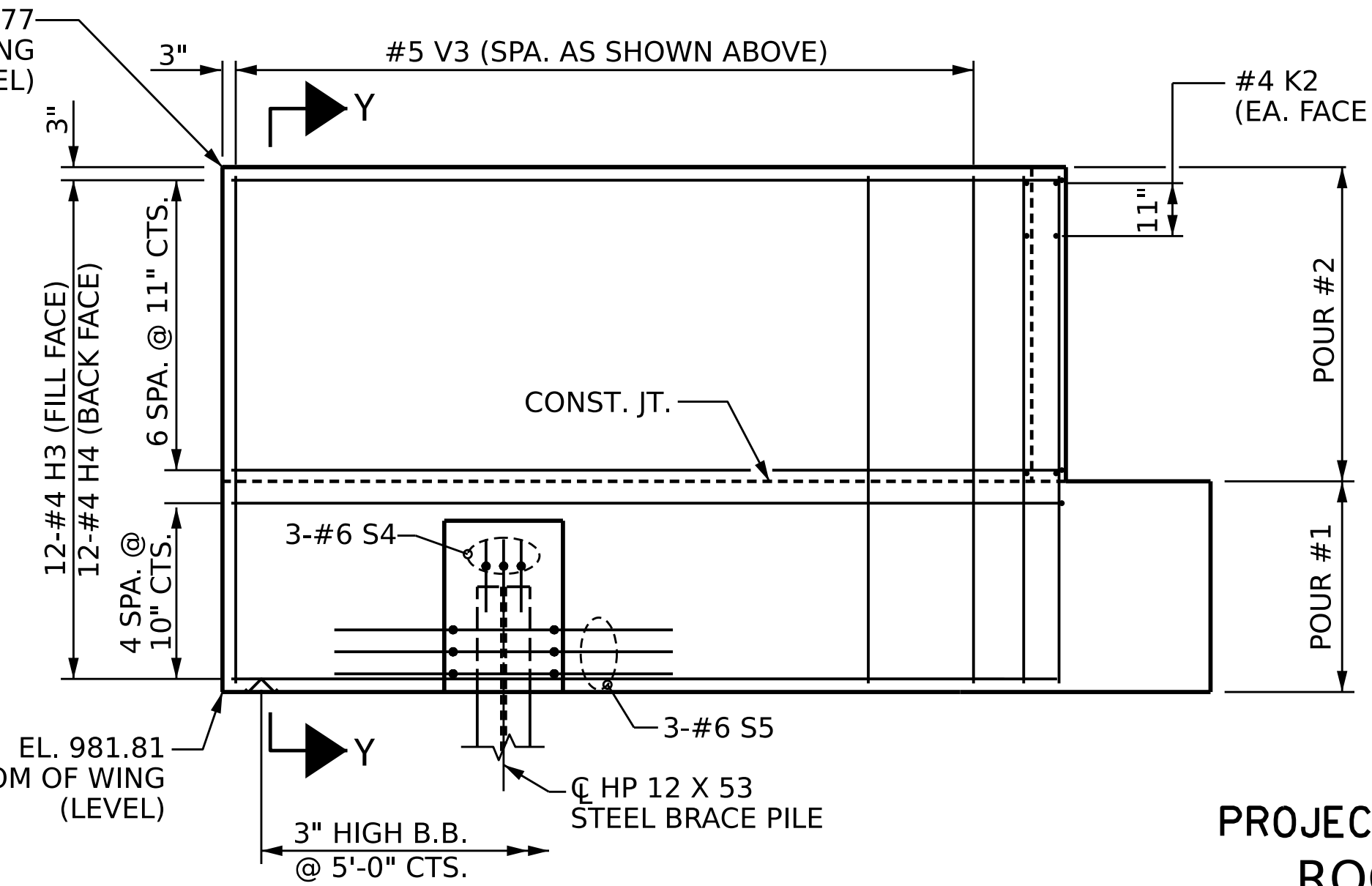
ELEVATION OF WING (W1)



SECTION X-X



SECTION Y-Y



ELEVATION OF WING (W2)

PROJECT NO. BR-0095
 ROCKINGHAM COUNTY
 STATION: 16+91.66 -L-

SHEET 2 OF 3

STATE OF NORTH CAROLINA
 DEPARTMENT OF TRANSPORTATION
 RALEIGH

SUBSTRUCTURE
 END BENT 1



Designed by:
 Francesca Ica
 11/16/2023

DRAWN BY : Q. T. NGUYEN DATE : 03/2023
 CHECKED BY : Z. MALIK DATE : 03/2023
 DESIGN ENGINEER OF RECORD : Z. MALIK DATE : 03/2023

DOCUMENT NOT CONSIDERED
 FINAL UNLESS ALL
 SIGNATURES COMPLETED

REVISIONS					SHEET NO.
NO.	BY:	DATE:	NO.	DATE:	S-20
1			3		TOTAL SHEETS
2			4		29