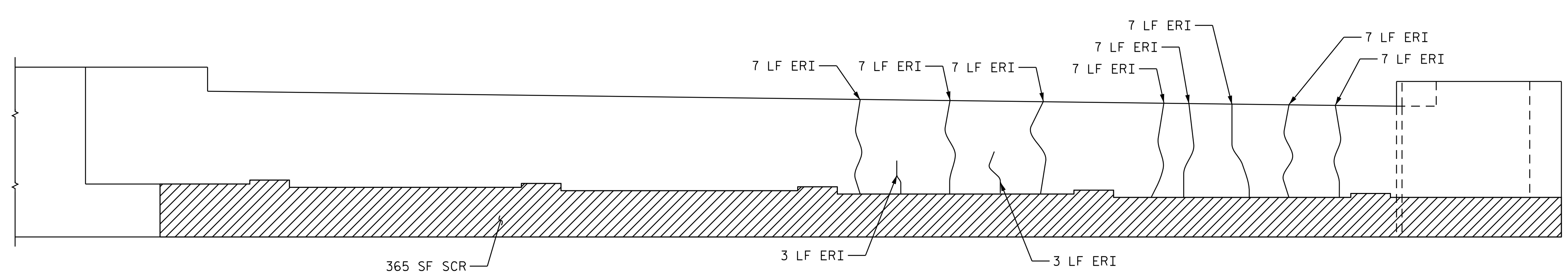


PLAN



ELEVATION

END BENT 2

AS-BUILT REPAIR QUANTITY TABLE				
END BENT 2	QUANTITIES			
	ESTIMATE		ACTUAL	
SHOTCRETE REPAIRS	AREA SF	VOLUME CF	AREA SF	VOLUME CF
CAP	365.0	92.0		
CURTAIN WALL	0.0	0.0		
CONCRETE REPAIRS	AREA SF	VOLUME CF	AREA SF	VOLUME CF
CAP	0.0	0.0		
EPOXY RESIN INJECTION	LN. FT.		LN. FT.	
CAP	28.0			
CURTAIN WALL	62.0			
EPOXY COATING	SQ. FT.		SQ. FT.	
TOP OF CAP	317.0			

NOTES:
 REPAIR LOCATIONS AND ESTIMATE OF QUANTITIES ARE BASED ON THE BEST INFORMATION AVAILABLE. IF ADDITIONAL REPAIRS NOT SHOWN ON THE DRAWINGS ARE DEEMED NECESSARY BY THE ENGINEER, THE ENGINEER WILL NOTE ON THE DRAWINGS THE APPROXIMATE LOCATIONS AND DESCRIPTION OF THE REPAIRS AND ENTER THE ACTUAL QUANTITIES INTO THE AS-BUILT REPAIR QUANTITY TABLE.

CLEAN AND REMOVE DEBRIS FROM THE TOP OF THE CAP AND APPLY EPOXY PROTECTIVE COATING. EPOXY COATING SHALL BE APPLIED TO THE TOP SURFACE OF THE CAP. THE CONTRACTOR SHALL NOT COAT THE AREA OF THE CAP BENEATH THE MASONRY PLATES. FOR EPOXY COATING, SEE SPECIAL PROVISIONS.

SHOTCRETE REPAIRS MAY BE REPLACED WITH CONCRETE REPAIRS WITH THE APPROVAL OF THE ENGINEER.

FOR CAP REPAIRS, SEE "TYPICAL CAP AND COLUMN REPAIR DETAILS", SHEET.

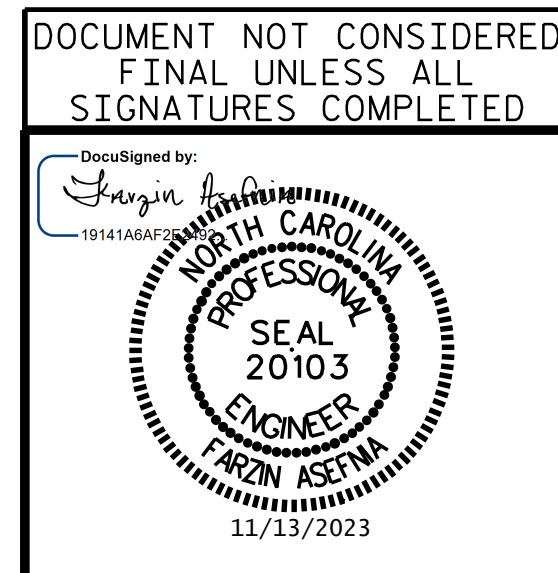
FOR SHOTCRETE REPAIR, SEE SPECIAL PROVISIONS.

FOR CONCRETE REPAIR, SEE SPECIAL PROVISIONS.

FOR EPOXY RESIN INJECTION, SEE SPECIAL PROVISIONS.

- SHOTCRETE REPAIR (SCR)
- CONCRETE REPAIR (CR)
- EPOXY RESIN INJECTION (ERI)

PROJECT NO. I-5941
DURHAM COUNTY
 BRIDGE NO. 310429
 SHEET 10 OF 10



STATE OF NORTH CAROLINA
 DEPARTMENT OF TRANSPORTATION
 RALEIGH
SUBSTRUCTURE REPAIR
END BENT 2

DRAWN BY : M. HOGAN DATE : 3/2023
 CHECKED BY : JIA XU DATE : 7/2023
 DESIGN ENGINEER OF RECORD: F. ASEFNIA DATE : 11/2023

REVISIONS						SHEET NO. S5-17
NO.	BY:	DATE:	NO.	BY:	DATE:	
1			3			TOTAL SHEETS 17
2			4			

