

AS-BUILT REPAIR QUANTITY TABLE				
BENT 3 SPAN D FACE	QUANTITIES			
	ESTIMATE		ACTUAL	
SHOTCRETE REPAIRS	AREA SF	VOLUME CF	AREA SF	VOLUME CF
CAP	181.0	45.3		
COLUMN	123.0	31.0		
CONCRETE REPAIRS	AREA SF	VOLUME CF	AREA SF	VOLUME CF
CAP	0.0	0.0		
EPOXY RESIN INJECTION	LN. FT.		LN. FT.	
CAP	10.5			
COLUMN	0.0			

**NOTES:**

REPAIR LOCATIONS AND ESTIMATE OF QUANTITIES ARE BASED ON THE BEST INFORMATION AVAILABLE. IF ADDITIONAL REPAIRS NOT SHOWN ON THE DRAWINGS ARE DEEMED NECESSARY BY THE ENGINEER, THE ENGINEER WILL NOTE ON THE DRAWINGS THE APPROXIMATE LOCATIONS AND DESCRIPTION OF THE REPAIRS AND ENTER THE ACTUAL QUANTITIES INTO THE AS-BUILT REPAIR QUANTITY TABLE.

CLEAN AND REMOVE DEBRIS FROM THE TOP OF THE CAP AND APPLY EPOXY PROTECTIVE COATING. EPOXY COATING SHALL BE APPLIED TO THE TOP SURFACE OF THE CAP. THE CONTRACTOR SHALL NOT COAT THE AREA OF THE CAP BENEATH THE MASONRY PLATES. FOR EPOXY COATING, SEE SPECIAL PROVISIONS.

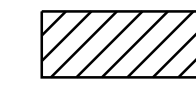


SHOTCRETE REPAIRS MAY BE REPLACED WITH CONCRETE REPAIRS WITH THE APPROVAL OF THE ENGINEER.

FOR CAP AND COLUMN REPAIRS, SEE "TYPICAL CAP AND COLUMN REPAIR DETAILS", SHEET.

FOR SHOTCRETE REPAIR, SEE SPECIAL PROVISIONS.

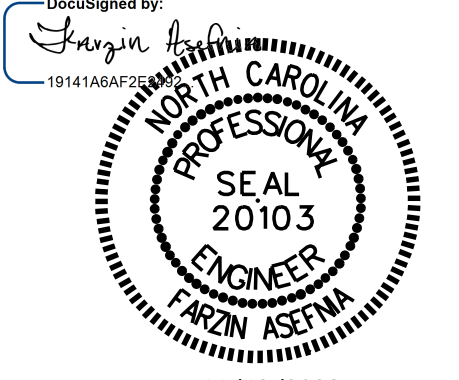
FOR CONCRETE REPAIR, SEE SPECIAL PROVISIONS.

FOR EPOXY RESIN INJECTION, SEE SPECIAL PROVISIONS.

-  SHOTCRETE REPAIR (SCR)
-  CONCRETE REPAIR (CR)
-  EPOXY RESIN INJECTION (ERI)

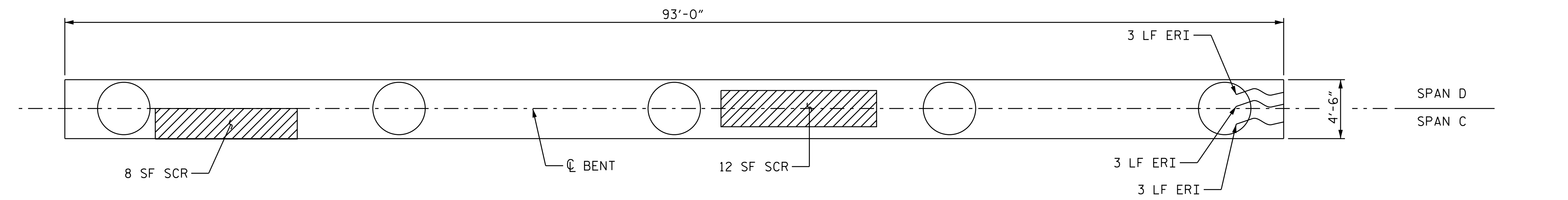
PROJECT NO. I-5941  
DURHAM COUNTY  
 BRIDGE NO. 310429  
 SHEET 7 OF 10

DOCUMENT NOT CONSIDERED FINAL UNLESS ALL SIGNATURES COMPLETED

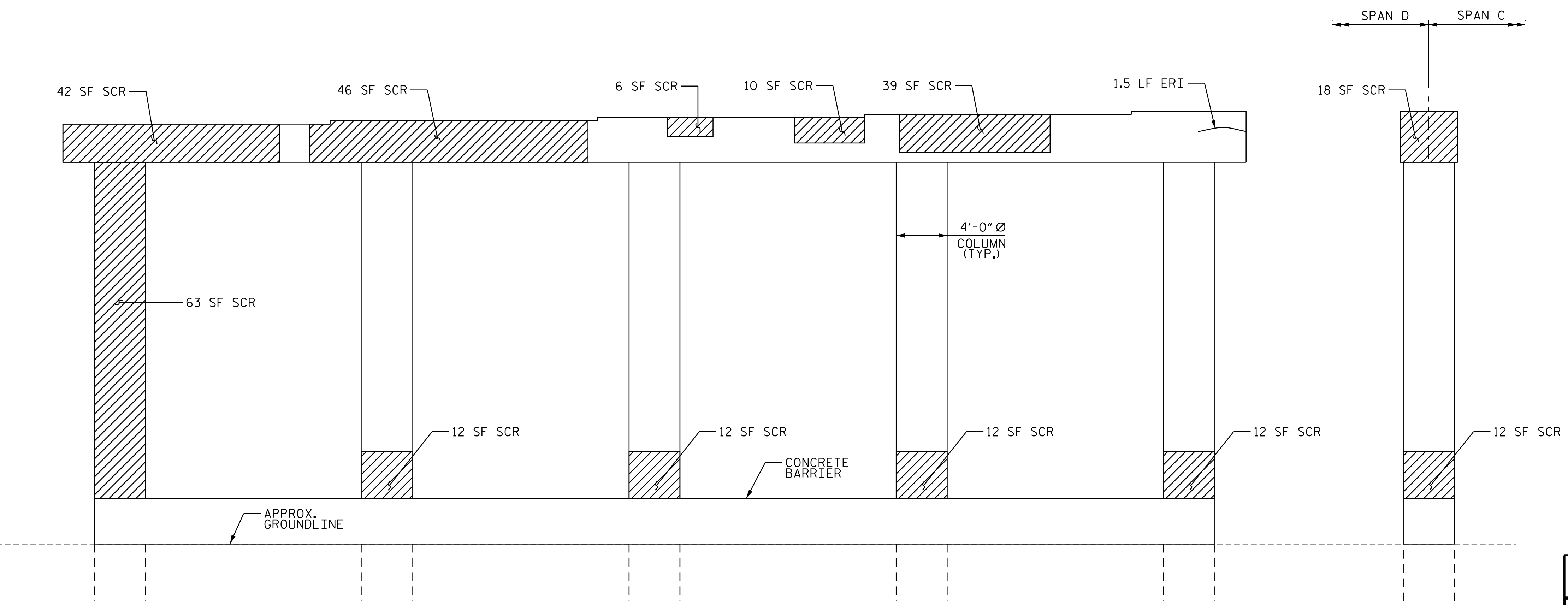
Drawn/Sealed by:  
  
 11/13/2023

**E.L. ROBINSON**  
 3362 Old Forks Rd.  
 Raleigh, N.C. 27609  
 Tel: 984.980.2810  
 efr@elrobinsonengineering.com  
 License: C-22 9

REVISIONS						SHEET NO. S5-14 TOTAL SHEETS 17
NO.	BY:	DATE:	NO.	BY:	DATE:	
1			3			
2			4			



BOTTOM OF CAP



ELEVATION

END VIEW

BENT NO. 3  
SPAN D FACE

DRAWN BY : M. HOGAN DATE : 3/2023  
 CHECKED BY : JIA XU DATE : 7/2023  
 DESIGN ENGINEER OF RECORD: F. ASEFNIA DATE : 11/2023