
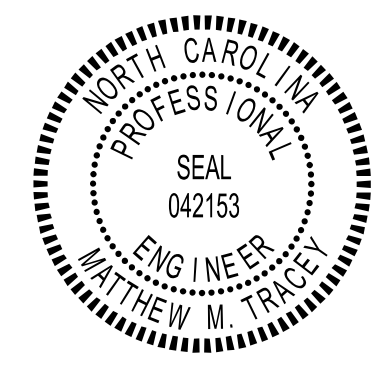


APPROVED:   
 DATE: 10/11/2023

SEAL

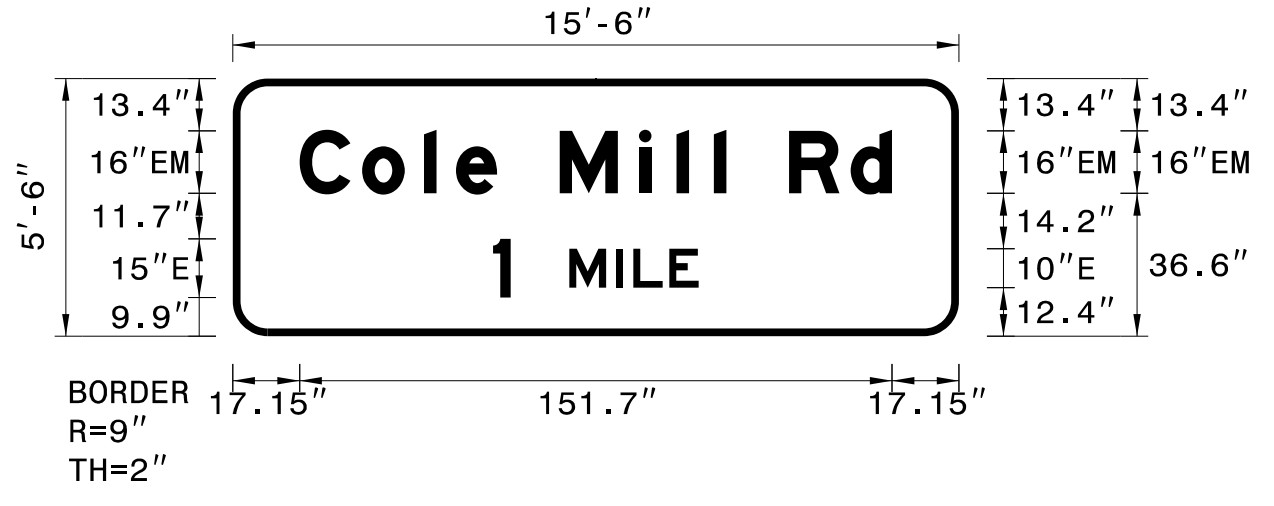


**DOCUMENT NOT CONSIDERED FINAL  
UNLESS ALL SIGNATURES COMPLETED**

|              |             |                   |                          |             |        |             |  |              |
|--------------|-------------|-------------------|--------------------------|-------------|--------|-------------|--|--------------|
| SIGN NUMBER: | 106B        | BACKG COLOR:      | Green                    | DESIGN BY:  | MT     | CHECKED BY: |  | Feb 16, 2023 |
| TYPE:        | A           | COPY COLOR:       | White                    | PROJECT ID: | I-5941 | LOCATION:   |  | DIV: 5       |
| QUANTITY:    | 1           | SYMBOL X Y WID HT |                          |             |        |             |  |              |
| SIGN WIDTH:  | 15'-6"      |                   |                          |             |        |             |  |              |
| HEIGHT:      | 5'-6"       |                   |                          |             |        |             |  |              |
| TOTAL AREA:  | 85.3 Sq.Ft. |                   |                          |             |        |             |  |              |
| BORDER TYPE: | FLUSH       |                   |                          |             |        |             |  |              |
| RECESS:      | 0"          |                   |                          |             |        |             |  |              |
| WIDTH:       | 2"          |                   |                          |             |        |             |  |              |
| RADII:       | 9"          |                   |                          |             |        |             |  |              |
| NO. Z BARS:  | 2           | MATL:             | 0.125" (3.2 mm) ALUMINUM |             |        |             |  |              |
| LENGTH:      | 178.0       |                   |                          |             |        |             |  |              |

USE NOTES:

- Legend and border(except those that are colored black) shall be direct applied Grade C sheeting.
- Background shall be Grade C reflective sheeting.



Spacing Factor is 1 unless specified otherwise

LETTER POSITIONS

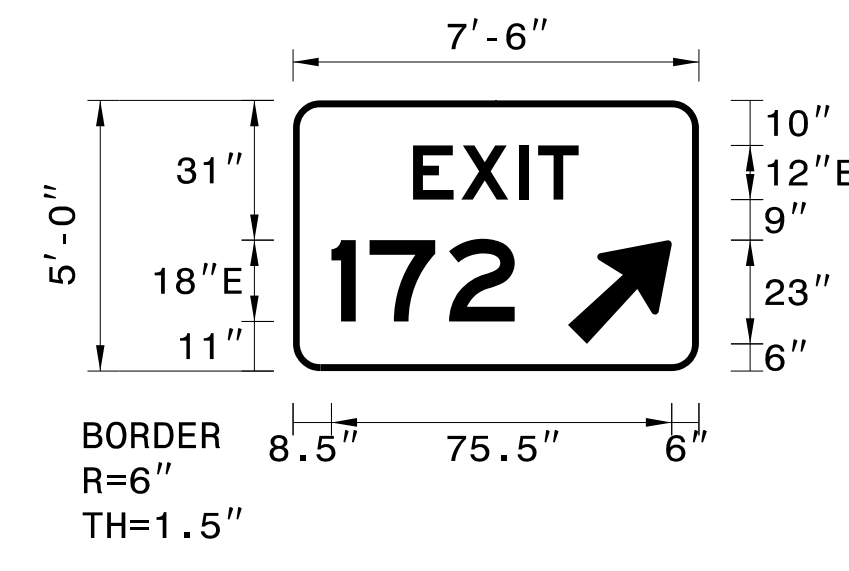
| Letter spacings are to start of next letter |     |      |     |      |     |      |      |     |     |    |      | Series/Size Text Length |      |                |
|---|-----|------|-----|------|-----|------|------|-----|-----|----|------|-------------------------|------|----------------|
| C   | o   | l    | e   | M    | i   | l    | l    | R   | d   |    |      | EM 2000<br>151.7        |      |                |
| 17.2  | 16  | 15.8 | 8.2 | 10.6 | 16  | 20.3 | 9.6  | 9.6 | 3.2 | 16 | 15.8 | 10.6                    | 17.2 | E 2000<br>52.6 |
| 1   |     |      |     | M    | I   | L    | E    |     |     |    |      |                         |      |                |
| 66.7  | 4.5 | 15   | 12  | 4.4  | 9.2 | 7.5  | 66.7 |     |     |    |      |                         |      |                |

I-5941 Map NORTH CAROLINA D.O.T. SIGN DETAIL

|              |             |                   |                          |             |        |             |  |              |
|--------------|-------------|-------------------|--------------------------|-------------|--------|-------------|--|--------------|
| SIGN NUMBER: | 201         | BACKG COLOR:      | Green                    | DESIGN BY:  | MT     | CHECKED BY: |  | Feb 08, 2023 |
| TYPE:        | A           | COPY COLOR:       | White                    | PROJECT ID: | I-5941 | LOCATION:   |  | DIV: 5       |
| QUANTITY:    | 1           | SYMBOL X Y WID HT |                          |             |        |             |  |              |
| SIGN WIDTH:  | 7'-6"       |                   |                          |             |        |             |  |              |
| HEIGHT:      | 5'-0"       |                   |                          |             |        |             |  |              |
| TOTAL AREA:  | 37.5 Sq.Ft. |                   |                          |             |        |             |  |              |
| BORDER TYPE: | FLUSH       |                   |                          |             |        |             |  |              |
| RECESS:      | 0"          |                   |                          |             |        |             |  |              |
| WIDTH:       | 1.5"        |                   |                          |             |        |             |  |              |
| RADII:       | 6"          |                   |                          |             |        |             |  |              |
| NO. Z BARS:  | 2           | MATL:             | 0.125" (3.2 mm) ALUMINUM |             |        |             |  |              |
| LENGTH:      | 82.0        |                   |                          |             |        |             |  |              |

USE NOTES:

- Legend and border(except those that are colored black) shall be direct applied Grade C sheeting.
- Background shall be Grade C reflective sheeting.
- Shields; A, B, and C type arrows shall be on 0.032" (0.8mm) aluminum and demountable.



Spacing Factor is 1 unless specified otherwise

LETTER POSITIONS

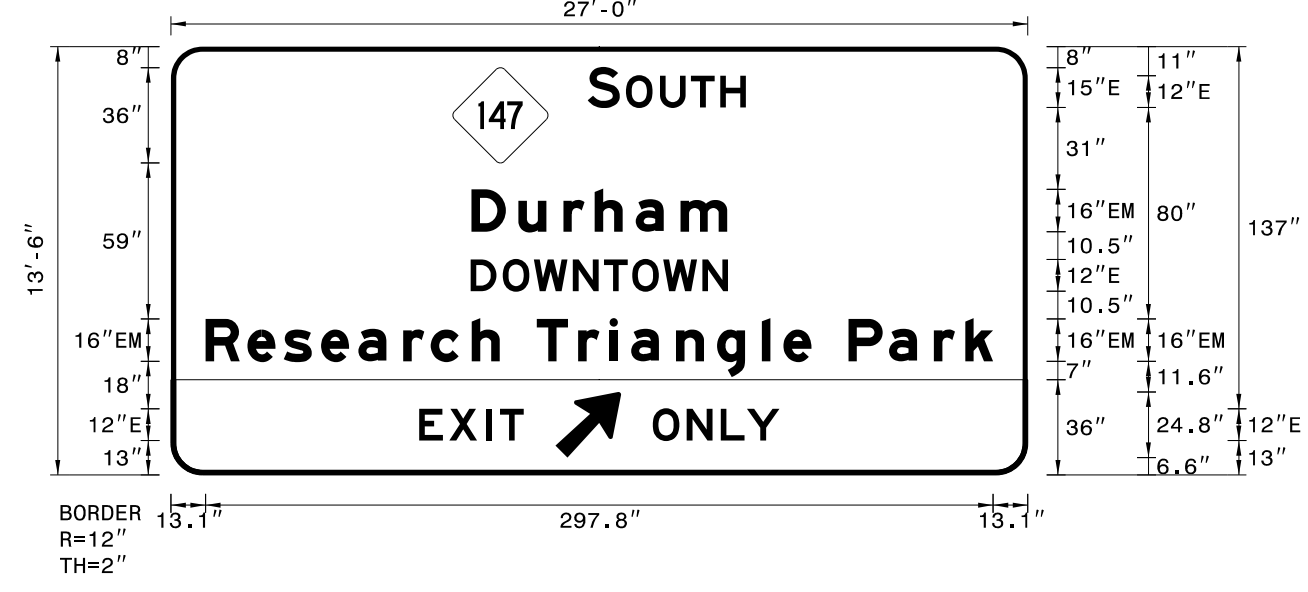
| Letter spacings are to start of next letter |      |      |      |      |      |  |  |  |  |  |  | Series/Size Text Length |
|---|------|------|------|------|------|--|--|--|--|--|--|-------------------------|
| E   | X    | I    | T    |      |      |  |  |  |  |  |  | E 2000<br>36.7          |
| 26.6  | 10.7 | 12.8 | 4.2  | 9    | 26.6 |  |  |  |  |  |  | E 2000<br>40.7          |
| 1   | 7    | 2    |      |      |      |  |  |  |  |  |  |                         |
| 8.5   | 8.5  | 17.6 | 14.6 | 40.8 |      |  |  |  |  |  |  |                         |

I-5941 Map NORTH CAROLINA D.O.T. SIGN DETAIL

|              |              |                   |                          |             |        |             |  |              |
|--------------|--------------|-------------------|--------------------------|-------------|--------|-------------|--|--------------|
| SIGN NUMBER: | 3B           | BACKG COLOR:      | Green                    | DESIGN BY:  | MT     | CHECKED BY: |  | Feb 08, 2023 |
| TYPE:        | A            | COPY COLOR:       | White                    | PROJECT ID: | I-5419 | LOCATION:   |  | DIV: 5       |
| QUANTITY:    | 1            | SYMBOL X Y WID HT |                          |             |        |             |  |              |
| SIGN WIDTH:  | 27'-0"       |                   |                          |             |        |             |  |              |
| HEIGHT:      | 13'-6"       |                   |                          |             |        |             |  |              |
| TOTAL AREA:  | 364.5 Sq.Ft. |                   |                          |             |        |             |  |              |
| BORDER TYPE: | FLUSH        |                   |                          |             |        |             |  |              |
| RECESS:      | 0"           |                   |                          |             |        |             |  |              |
| WIDTH:       | 2"           |                   |                          |             |        |             |  |              |
| RADII:       | 12"          |                   |                          |             |        |             |  |              |
| NO. Z BARS:  | 4            | MATL:             | 0.125" (3.2 mm) ALUMINUM |             |        |             |  |              |
| LENGTH:      | 316.0        |                   |                          |             |        |             |  |              |

USE NOTES:

- Legend and border(except those that are colored black) shall be direct applied Grade A sheeting.
- Background shall be Grade C reflective sheeting.
- Shields; A, B, and C type arrows shall be on 0.032" (0.8mm) aluminum and demountable.
- Bottom panel shall be yellow Grade C sheeting. Legend shall be direct applied black non-reflective sheeting. Yellow panel is:



Spacing Factor is 1 unless specified otherwise

LETTER POSITIONS

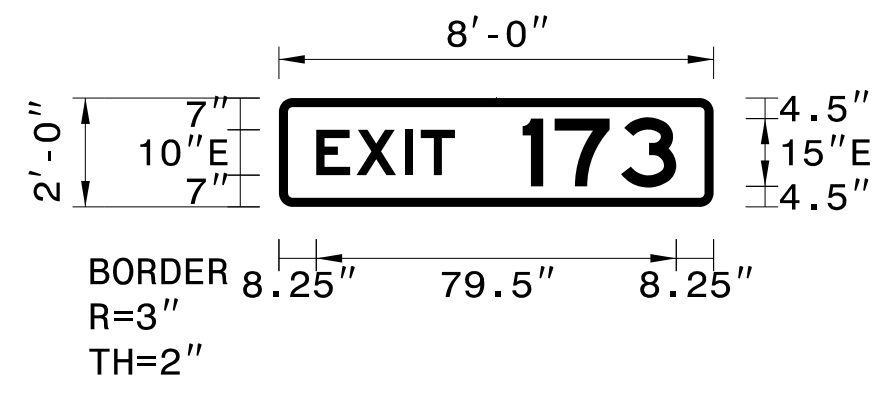
| Letter spacings are to start of next letter |      |      |      |      |       |      |       |      |       |      |      | Series/Size Text Length |    |      |    |     |      |    |      |    |      |      |      |  |  |
|---|------|------|------|------|-------|------|-------|------|-------|------|------|-------------------------|----|------|----|-----|------|----|------|----|------|------|------|--|--|
| S   | O    | U    | T    | H    |       |      |       |      |       |      |      | E 2000<br>59.8          |    |      |    |     |      |    |      |    |      |      |      |  |  |
| 157.6                                       | 12.2 | 2.3  | 12.8 | 11.8 | 11    | 9.7  | 106.6 |      |       |      |      | EM 2000<br>96.6         |    |      |    |     |      |    |      |    |      |      |      |  |  |
| D   | U    | R    | H    | A    | M     |      |       |      |       |      |      | E 2000<br>97.3          |    |      |    |     |      |    |      |    |      |      |      |  |  |
| 113.7                                       | 17.8 | 17   | 11.8 | 15.5 | 17    | 17.6 | 113.7 |      |       |      |      | EM 2000<br>297.8        |    |      |    |     |      |    |      |    |      |      |      |  |  |
| D   | O    | W    | N    | T    | O     | W    | N     |      |       |      |      | E 2000<br>39.5          |    |      |    |     |      |    |      |    |      |      |      |  |  |
| 113.3                                       | 12.1 | 11.8 | 14.8 | 11.8 | 10.7  | 11.8 | 14.8  | 9.7  | 113.3 |      |      | E 2000<br>47.9          |    |      |    |     |      |    |      |    |      |      |      |  |  |
| R   | E    | S    | E    | A    | R     | C    | H     | T    | R     | I    | A    | N                       | G  | L    | E  | P   | A    | R  | K    |    |      |      |      |  |  |
| 13.1  | 15.8 | 13.8 | 14.1 | 14.1 | 17    | 10.4 | 15.5  | 10.6 | 14    | 15.7 | 11.8 | 8.2                     | 17 | 15.5 | 17 | 8.2 | 10.6 | 14 | 15.4 | 17 | 11.8 | 10.6 | 13.1 |  |  |
| E   | X    | I    | T    |      |       |      |       |      |       |      |      |                         |    |      |    |     |      |    |      |    |      |      |      |  |  |
| 93.9  | 11.4 | 13.9 | 5.1  | 9    | 190.6 |      |       |      |       |      |      |                         |    |      |    |     |      |    |      |    |      |      |      |  |  |
| O   | N    | L    | Y    |      |       |      |       |      |       |      |      |                         |    |      |    |     |      |    |      |    |      |      |      |  |  |
| 182.2                                       | 12.8 | 12.8 | 10   | 12.2 | 93.9  |      |       |      |       |      |      |                         |    |      |    |     |      |    |      |    |      |      |      |  |  |

I-5941 Map NORTH CAROLINA D.O.T. SIGN DETAIL

|              |             |                   |                          |             |        |             |  |              |
|--------------|-------------|-------------------|--------------------------|-------------|--------|-------------|--|--------------|
| SIGN NUMBER: | 106A        | BACKG COLOR:      | Green                    | DESIGN BY:  | MT     | CHECKED BY: |  | Feb 16, 2023 |
| TYPE:        | B           | COPY COLOR:       | White                    | PROJECT ID: | I-5941 | LOCATION:   |  | DIV: 5       |
| QUANTITY:    | 1           | SYMBOL X Y WID HT |                          |             |        |             |  |              |
| SIGN WIDTH:  | 8'-0"       |                   |                          |             |        |             |  |              |
| HEIGHT:      | 2'-0"       |                   |                          |             |        |             |  |              |
| TOTAL AREA:  | 16.0 Sq.Ft. |                   |                          |             |        |             |  |              |
| BORDER TYPE: | FLUSH       |                   |                          |             |        |             |  |              |
| RECESS:      | 0"          |                   |                          |             |        |             |  |              |
| WIDTH:       | 2"          |                   |                          |             |        |             |  |              |
| RADII:       | 3"          |                   |                          |             |        |             |  |              |
| NO. Z BARS:  | 2           | MATL:             | 0.125" (3.2 mm) ALUMINUM |             |        |             |  |              |
| LENGTH:      | 88.0        |                   |                          |             |        |             |  |              |

USE NOTES:

- Legend and border(except those that are colored black) shall be direct applied Grade C sheeting.
- Background shall be Grade C reflective sheeting.



Spacing Factor is 1 unless specified otherwise

LETTER POSITIONS

| Letter spacings are to start of next letter |     |      |     |     |    |     |      |      |     |  |  | Series/Size Text Length |
|---|-----|------|-----|-----|----|-----|------|------|-----|--|--|-------------------------|
| E   | X   | I    | T   | 1   | 7  | 3   |      |      |     |  |  | E 2000<br>79.5          |
| 8.3   | 8.9 | 10.7 | 3.5 | 7.5 | 15 | 7.1 | 14.7 | 12.1 | 8.3 |  |  |                         |

I-5941 Map NORTH CAROLINA D.O.T. SIGN DETAIL

08/03/23  
 U:\I-5941\I-5941 Map.dgn  
 User:mttracy

# SIGN DESIGNS