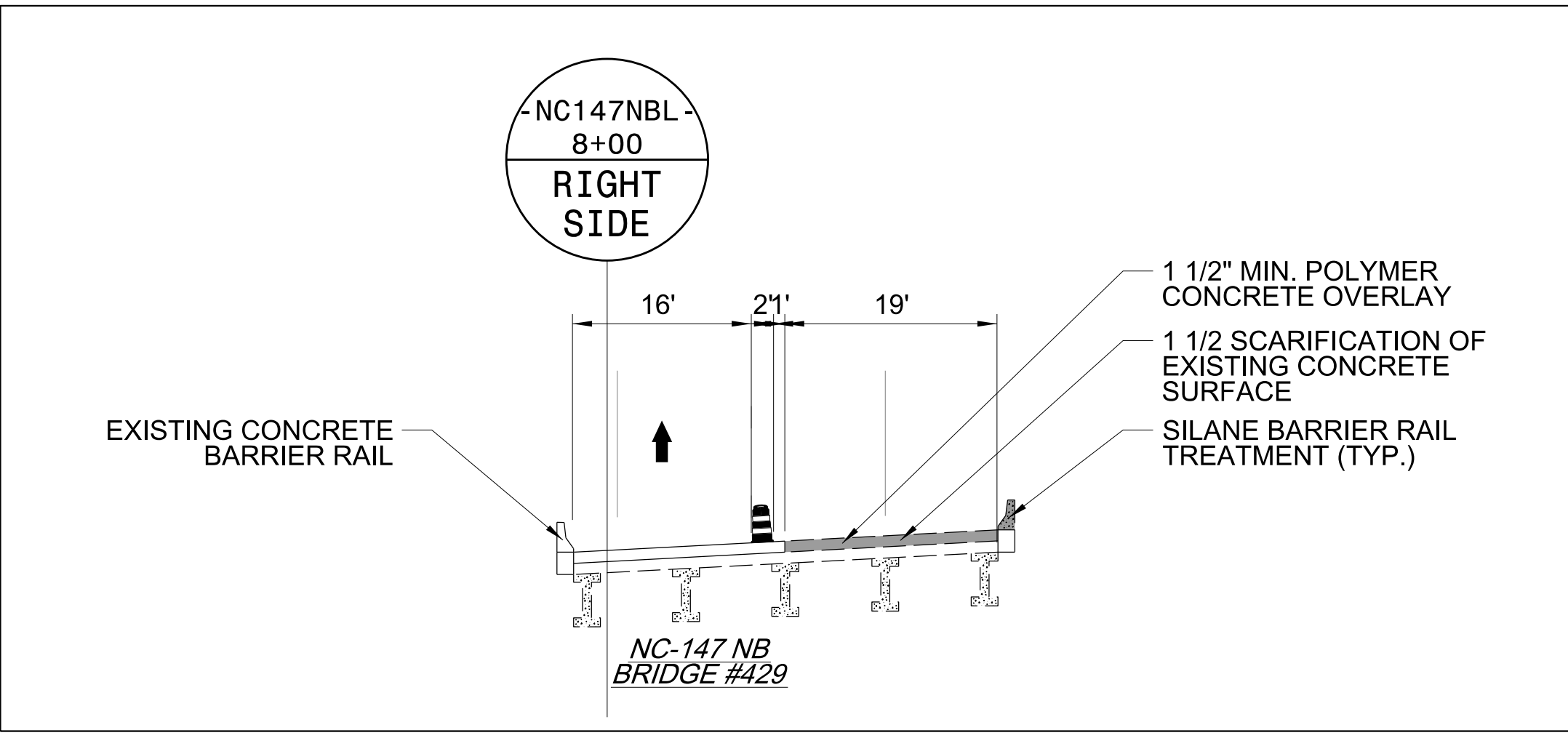
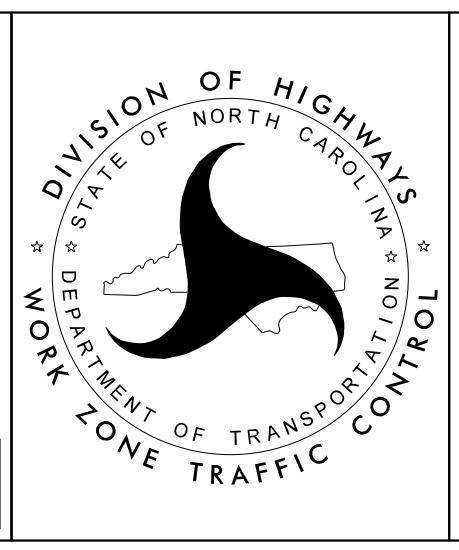


USING RSD 1101.02 SHEET 4  
CLOSE RIGHT LANE



**Stantec**  
 Stantec Consulting Services Inc.  
 801 Jones Franklin Road  
 Suite 300  
 Raleigh, NC 27606  
 Tel. 919.851.6866  
 Fax. 919.851.7024  
 www.stantec.com  
 License No. F-0672

11/14/2023  
**DOCUMENT NOT CONSIDERED FINAL  
 UNLESS ALL SIGNATURES COMPLETED**



**NC-147 NORTHBOUND  
 -NC147NB-  
 BRIDGE REHABILITATION  
 RIGHT SIDE**

11/14/2023  
 U:\Traffic\Transportation Management Plan\TCP\PLAN SHEETS\I-5941\TMP-28-NC-147\_NB.dgn  
 angood