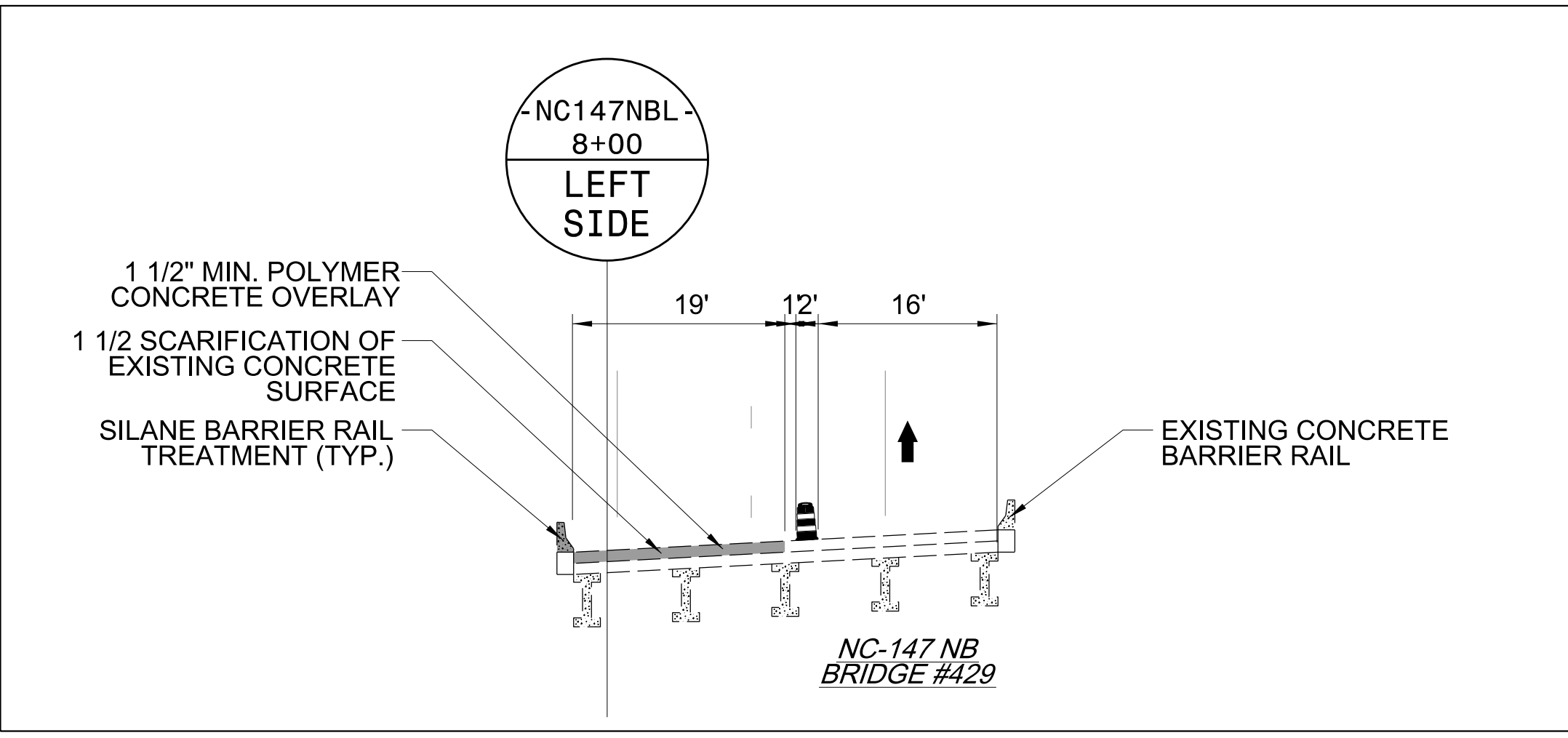


USING RSD 1101.02 SHEET 4  
CLOSE LEFT LANE



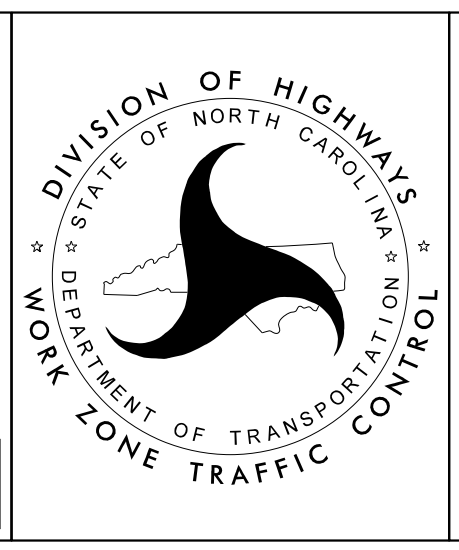
11/14/2023  
 U:\Traffic\Transportation Management Plan\TCP\PLAN SHEETS\I-5941\TMP-27-NC-147-NB.dgn  
 angood

**Stantec**  
 Stantec Consulting Services Inc.  
 801 Jones Franklin Road  
 Suite 300  
 Raleigh, NC 27606  
 Tel. 919.851.6866  
 Fax. 919.851.7024  
 www.stantec.com  
 License No. F-0672

11/14/2023

Documented by: J.W. Woolard  
 PROFESSIONAL SEAL  
 19862  
 ENGINEER  
 W. WOOLARD, R.

**DOCUMENT NOT CONSIDERED FINAL  
 UNLESS ALL SIGNATURES COMPLETED**



**NC-147 NORTHBOUND  
 -NC147NB-  
 BRIDGE REHABILITATION  
 LEFT SIDE**