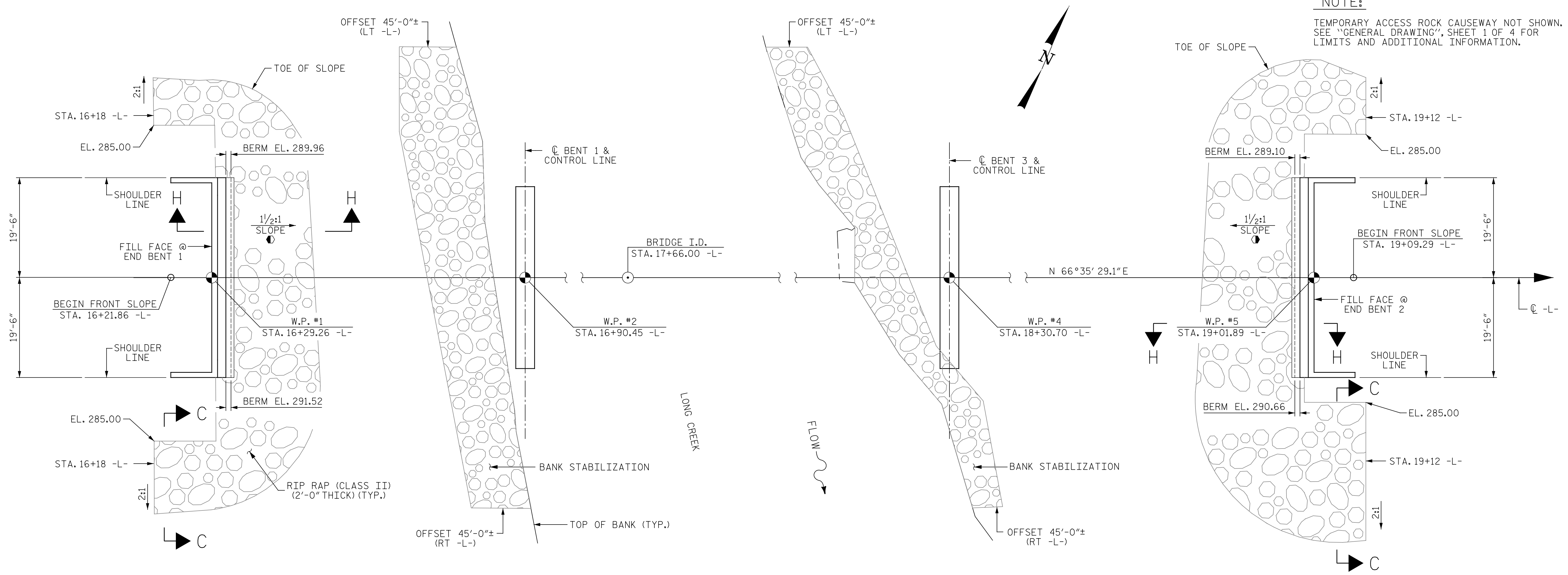


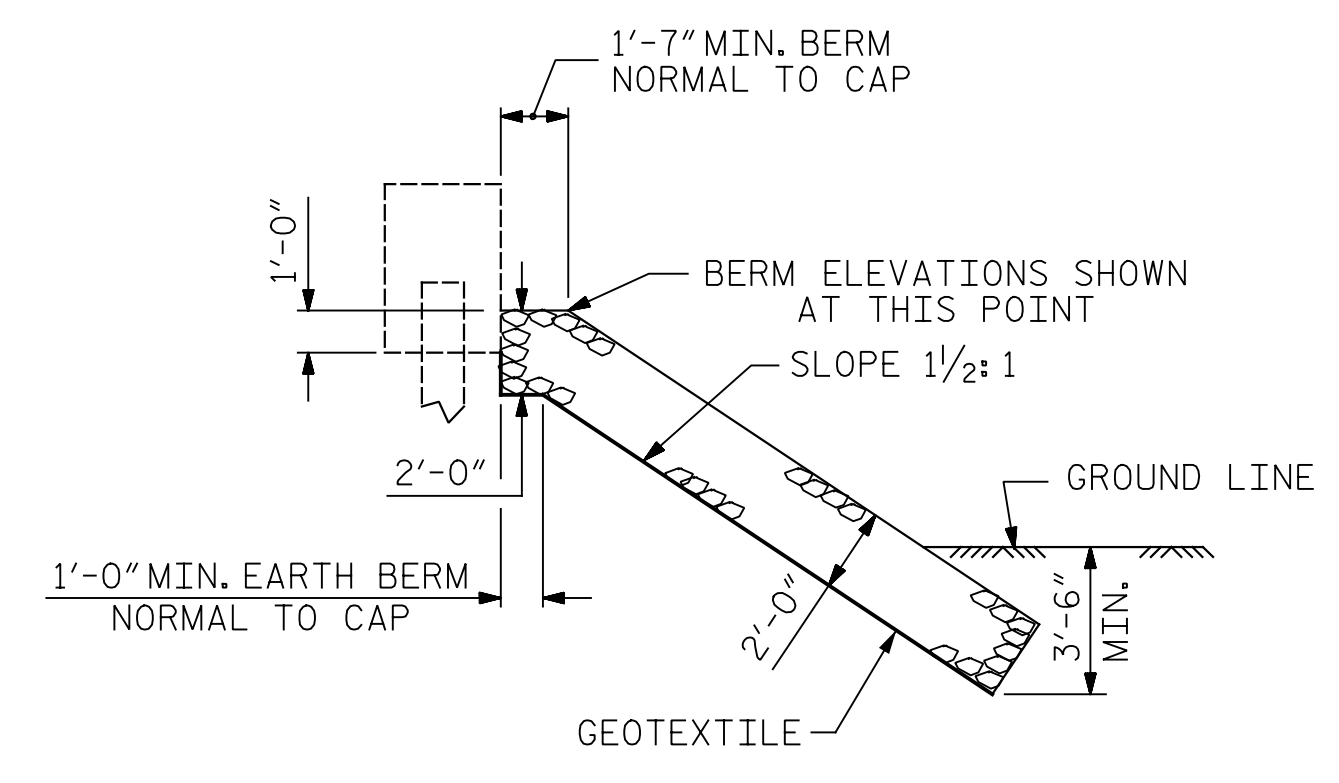
Pen Table: R:\cecad\Plotting\Structures\NCDOT\Pen Tables\ICE\_NC\_Struct.tbl  
 Print Driver: R:\cecad\Plotting\Structures\NCDOT\Plot Config\22x34\_PDF\_ICE.pltcfgr  
 User: jmaustin  
 Plot Date: 11/14/2023 4:07:21 PM  
 File Name: R:\Projects\19-55.01\_SML.B.6046\_SRI917\_Over\_Long\_Creek\NCDOT\Structures\Drawings\Find\401\_024\_B6046\_SML\_FR\_830102.dgn



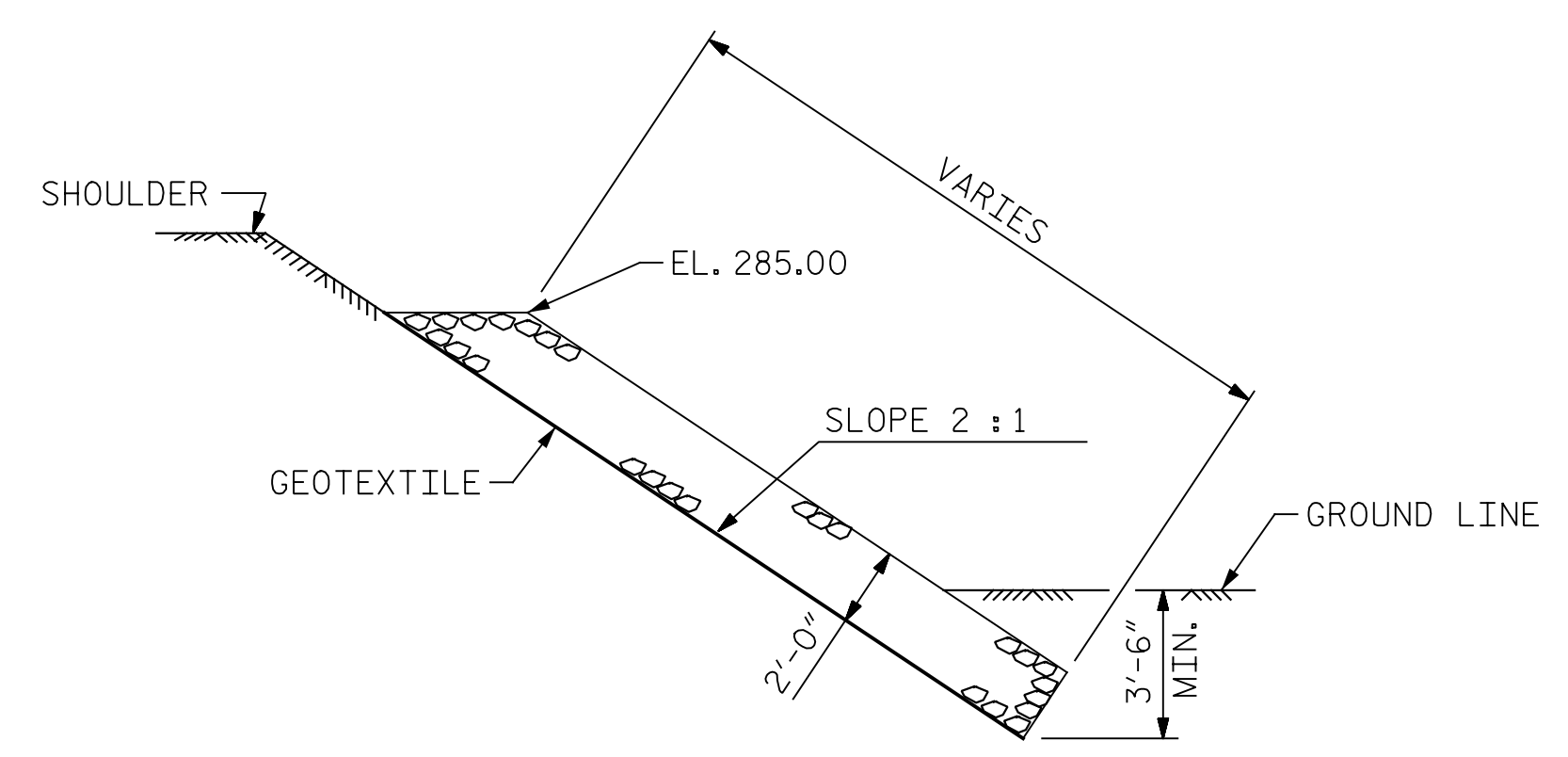
**NOTE:**  
 TEMPORARY ACCESS ROCK CAUSEWAY NOT SHOWN.  
 SEE "GENERAL DRAWING", SHEET 1 OF 4 FOR  
 LIMITS AND ADDITIONAL INFORMATION.

**PLAN**  
 ○ NORMAL TO CAP

ESTIMATED QUANTITIES		
BRIDGE @ STA. 17+66.00 -L-	RIP RAP CLASS II (2'-0" THICK)	GEOTEXTILE FOR DRAINAGE
	TONS	SQUARE YARDS
END BENT 1	180	201
BANK STABILIZATION NEAR END BENT 1	100	150
END BENT 2	235	262
BANK STABILIZATION NEAR END BENT 2	122	175



**SECTION H-H**

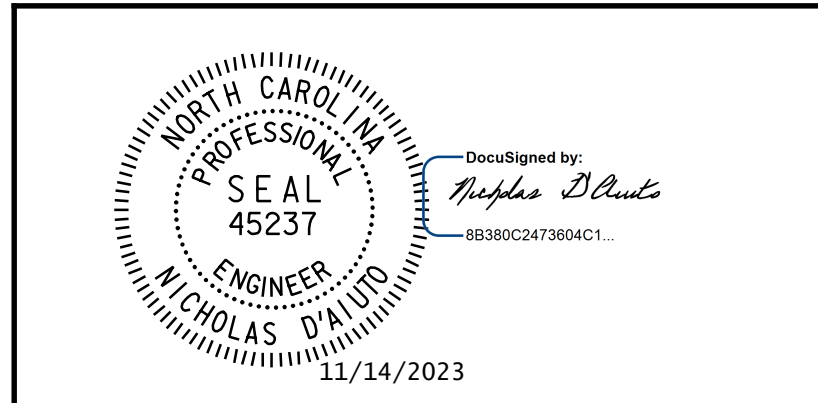


**SECTION C-C**

PROJECT NO. B-6046  
STANLY COUNTY  
 STATION: 17+66.00 -L-

STATE OF NORTH CAROLINA  
 DEPARTMENT OF TRANSPORTATION  
 RALEIGH

**RIP RAP DETAILS**



**ICE of CAROLINAS, PLLC**  
 4505 Falls of Neuse Road, Suite 110  
 Raleigh, North Carolina 27609  
 Phone: 919-822-0333  
 License #: P-9999

REVISIONS						SHEET NO.
NO.	BY:	DATE:	NO.	BY:	DATE:	S-23
1			3			TOTAL SHEETS
2			4			24

**DOCUMENT NOT CONSIDERED FINAL  
 UNLESS ALL SIGNATURES COMPLETED**

DRAWN BY : J. N. AUSTIN DATE : 8-10-22  
 CHECKED BY : N. D'AIUTO DATE : 8-12-22  
 DESIGN E.O.R. : N. D'AIUTO DATE : 1-4-23