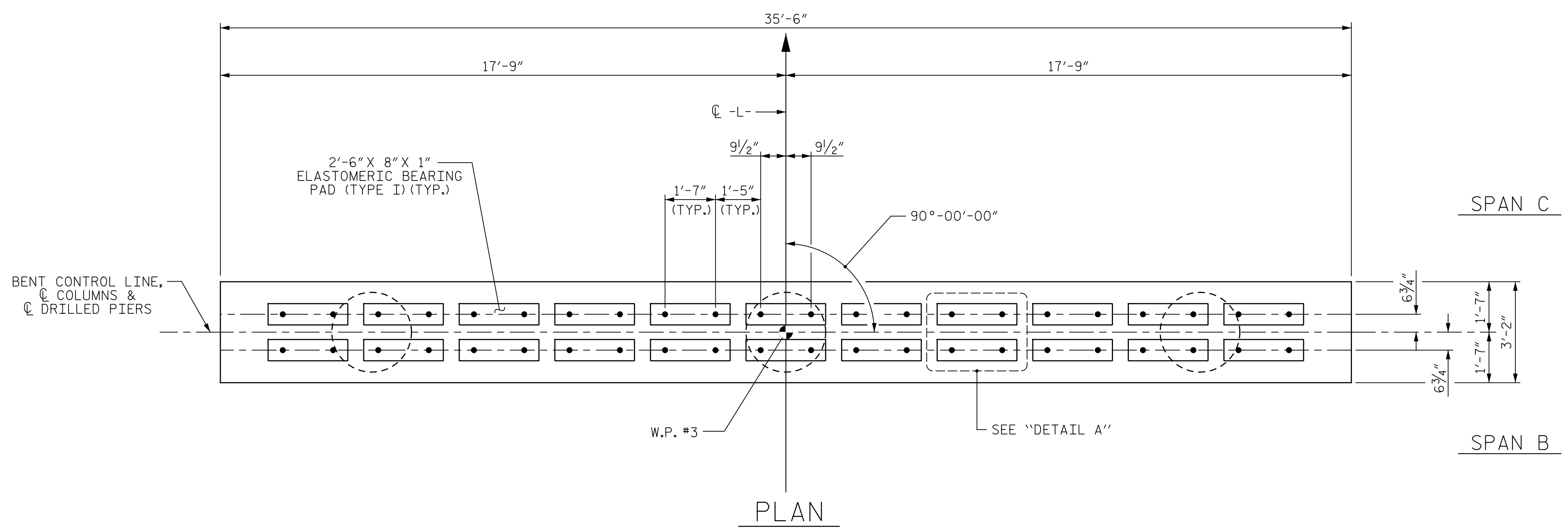


Pen Table: R:\cecad\Plotting\Structures\NCDOT\Pen Tables\ICE_NC_Struct.tbl
 Print Driver: R:\cecad\Plotting\Structures\NCDOT\Plot Config\22x34_PDF_ICE.pltcfp
 Plot Date: 11/14/2023 4:07:15 PM
 User: jmaustin
 File Name: R:\Projects\19-55.01_SML.B.6046_SRI917_Over_Long_Creek\NCDOT\Structures\Drawings\Find\401.020.B6046_SML.B2.01.830102.dgn



NOTES

STIRRUPS IN CAP MAY BE SHIFTED AS NECESSARY TO CLEAR DOWELS.

HOOKS ON "V" BARS MAY BE TURNED AS NECESSARY FOR PLACING REINFORCING STEEL.

FOR DRILLED PIERS, SEE SECTION 411 OF THE STANDARD SPECIFICATIONS.

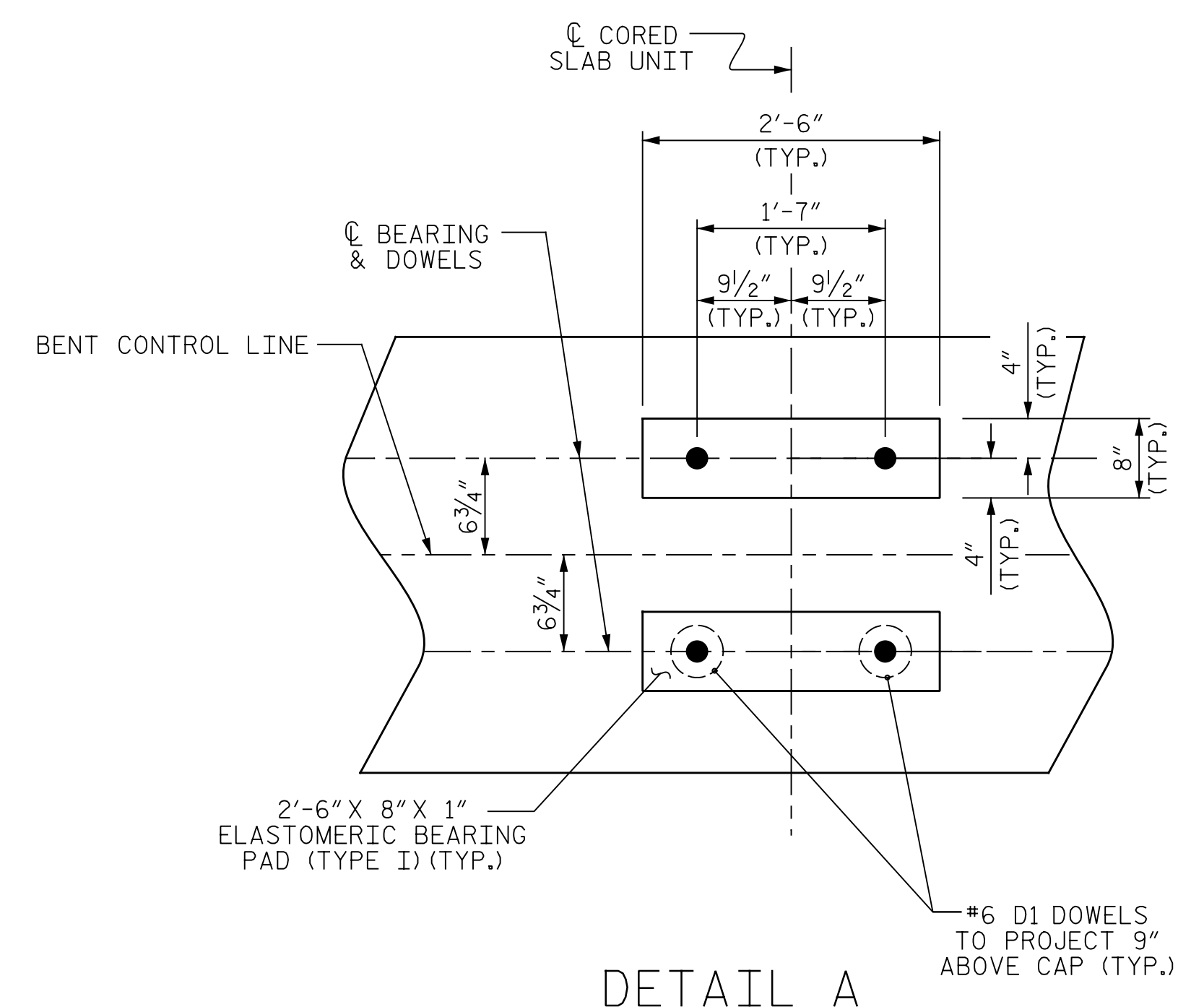
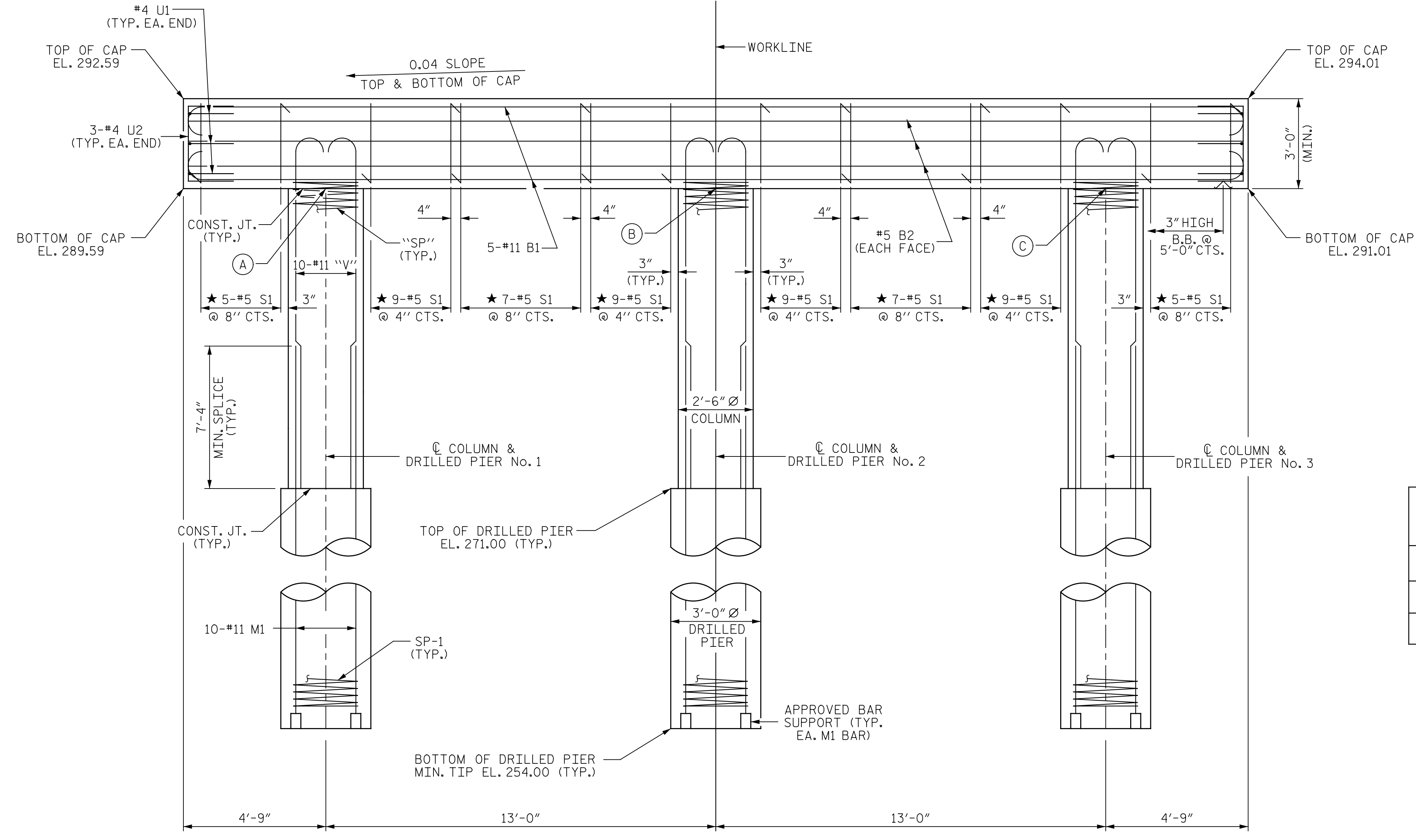
ALL STEEL IN THE DRILLED PIERS IS INCLUDED IN THE PAY ITEMS FOR "REINFORCING STEEL" AND "SPIRAL COLUMN REINFORCING STEEL."

★ INVERT ALTERNATE STIRRUPS.

THE LOCATION OF THE CONSTRUCTION JOINT IN THE DRILLED PIERS IS BASED ON AN APPROXIMATE GROUND LINE ELEVATION. IF THE CONSTRUCTION JOINT IS ABOVE THE ACTUAL GROUND LINE ELEVATION, THE CONTRACTOR SHALL PLACE THE CONSTRUCTION JOINT ONE FOOT BELOW THE GROUND LINE.

DRILLED PIERS SHALL BE TERMINATED ONE FOOT ± ABOVE NORMAL WATER SURFACE ELEVATION FOR SHAFTS LOCATED IN WATER.

THE CONTRACTOR'S ATTENTION IS CALLED TO THE FACT THAT THE LONGITUDINAL REINFORCEMENT FOR DRILLED PIERS IS DETAILED WITH 3 FEET OF EXTRA LENGTH.

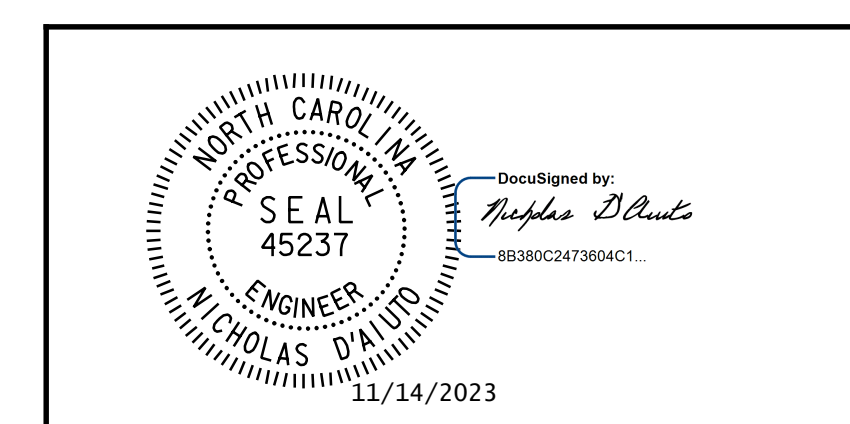


(A)	289.78
(B)	290.30
(C)	290.82

DETAIL A
(DIMENSIONS ARE TYPICAL EACH BEARING)

PROJECT NO. B-6046
STANLY COUNTY
 STATION: 17+66.00 -L-

SHEET 1 OF 2



STATE OF NORTH CAROLINA
 DEPARTMENT OF TRANSPORTATION
 RALEIGH
 SUBSTRUCTURE
BENT 2

REVISIONS						SHEET NO.
NO.	BY:	DATE:	NO.	BY:	DATE:	S-19
1			3			TOTAL SHEETS
2			4			24

DRAWN BY: J. N. AUSTIN DATE: 8-10-22
 CHECKED BY: N. D'AIUTO DATE: 8-12-22
 DESIGN E.O.R.: N. D'AIUTO DATE: 1-4-23

ELEVATION
 DIMENSIONS & REINFORCING STEEL ARE TYPICAL FOR EACH COLUMN & DRILLED PIER UNLESS OTHERWISE NOTED.

**DOCUMENT NOT CONSIDERED FINAL
 UNLESS ALL SIGNATURES COMPLETED**

ICE of CAROLINAS, PLLC
 4505 Falls of Neuse Road, Suite 110
 Raleigh, North Carolina 27609
 Phone: 919-822-0333
 License #: P-9999