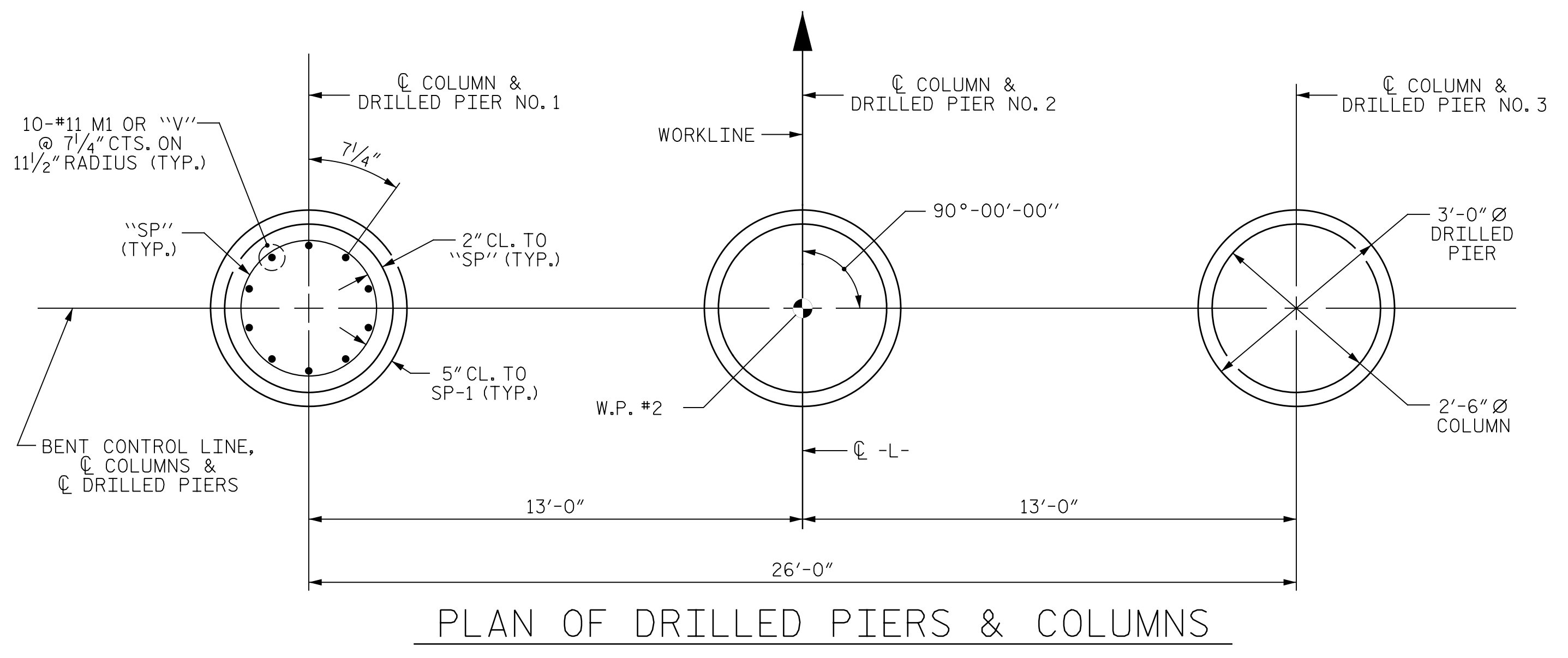
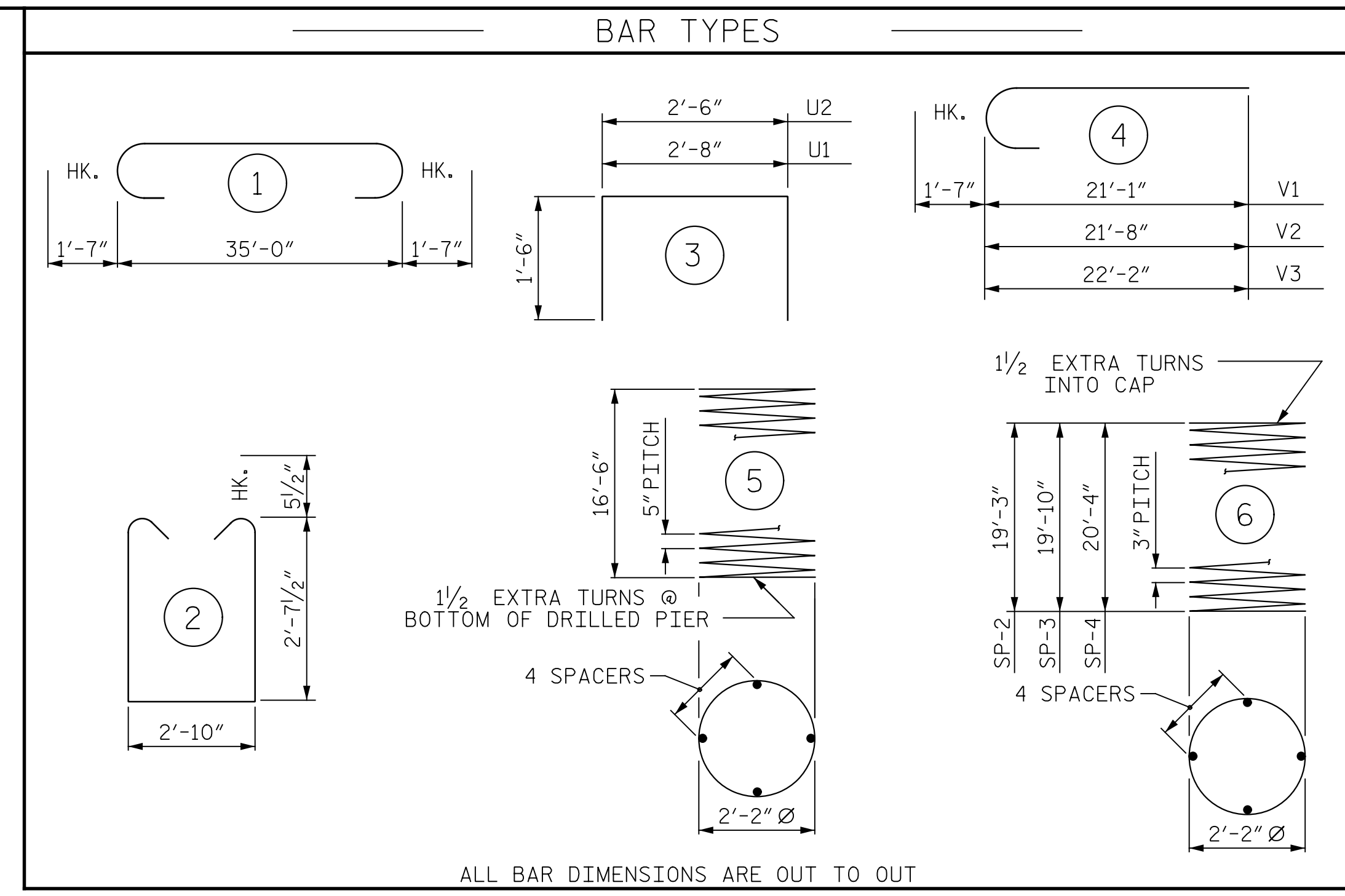


User name: jlm.austin
 File name: R:\Projects\19-55.01_SML.B.6046_SRI917_over_Long_Creek\NCDOT\Structures\Drawings\Find\401_019_B6046_SML.B1.02_830102.dgn
 Plot time: 11/14/2023 4:07:13 PM
 Pen Table: R:\cecad\Plotting\Structures\NCDOT\Pen Tables\ICE_NC_Struct.tbl
 Print Driver: R:\cecad\Plotting\Structures\NCDOT\Plot Config\2x34_PDF_ICE.plt

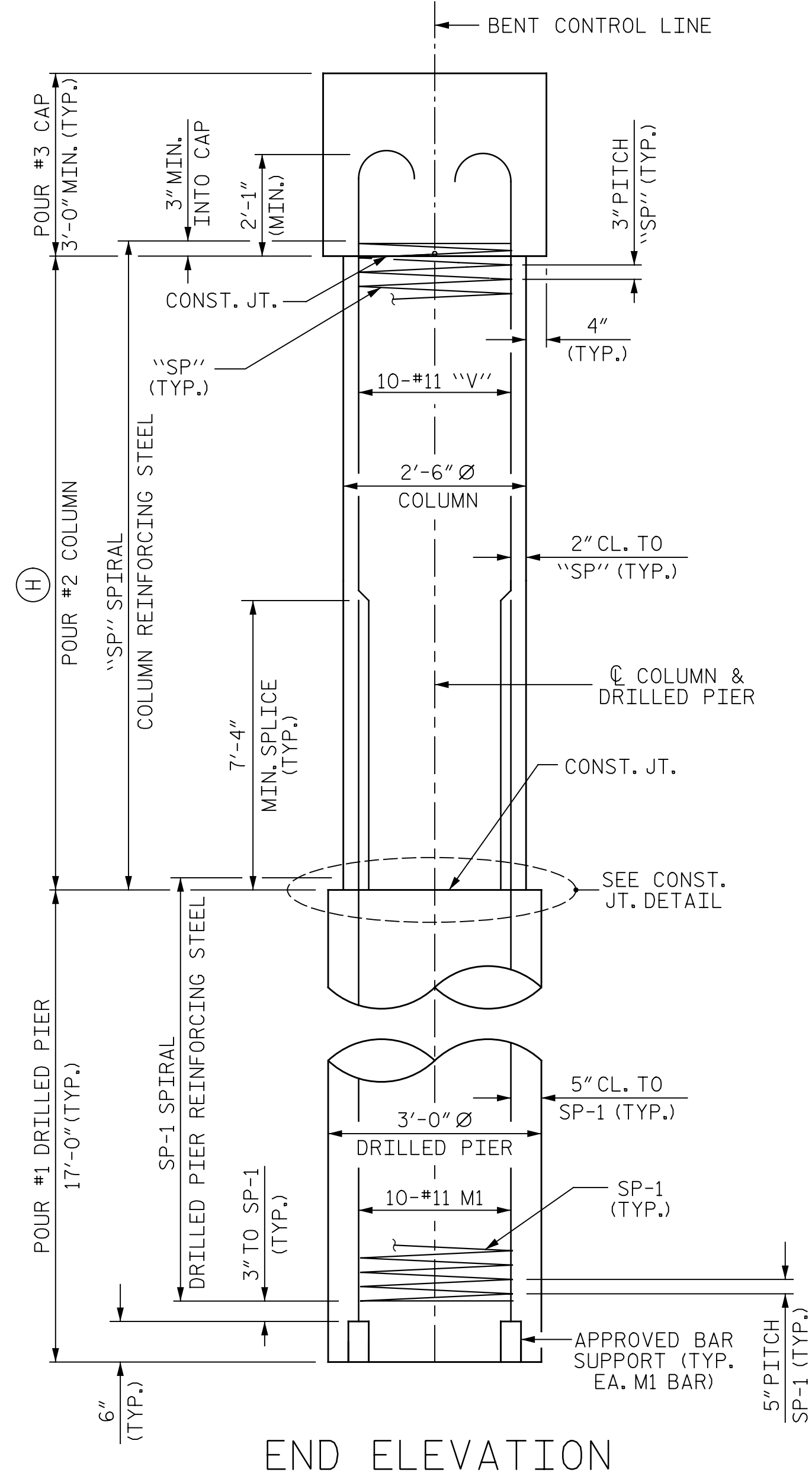


PLAN OF DRILLED PIERS & COLUMNS

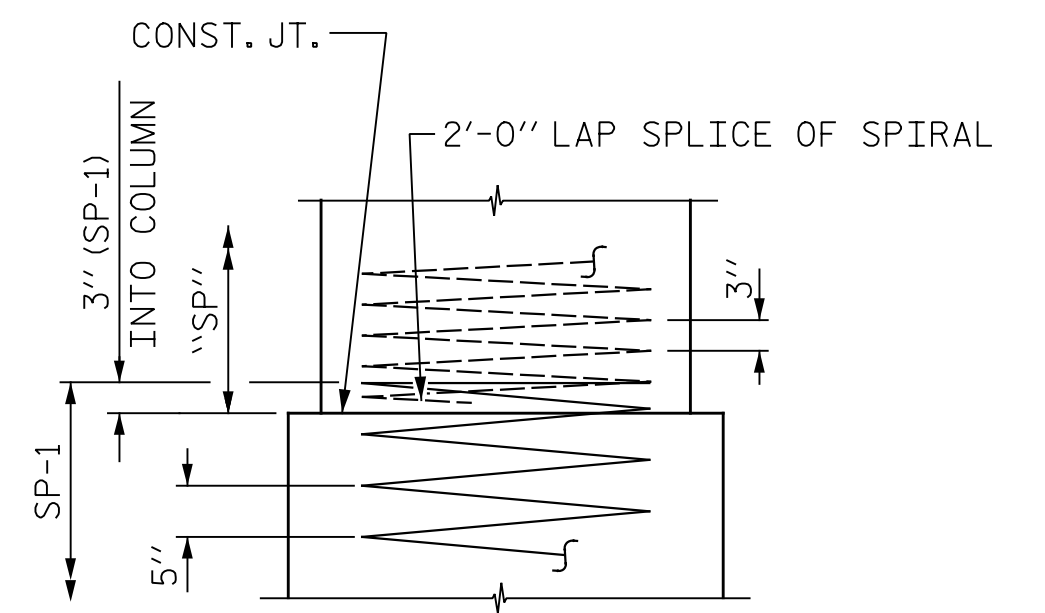


ALL BAR DIMENSIONS ARE OUT TO OUT

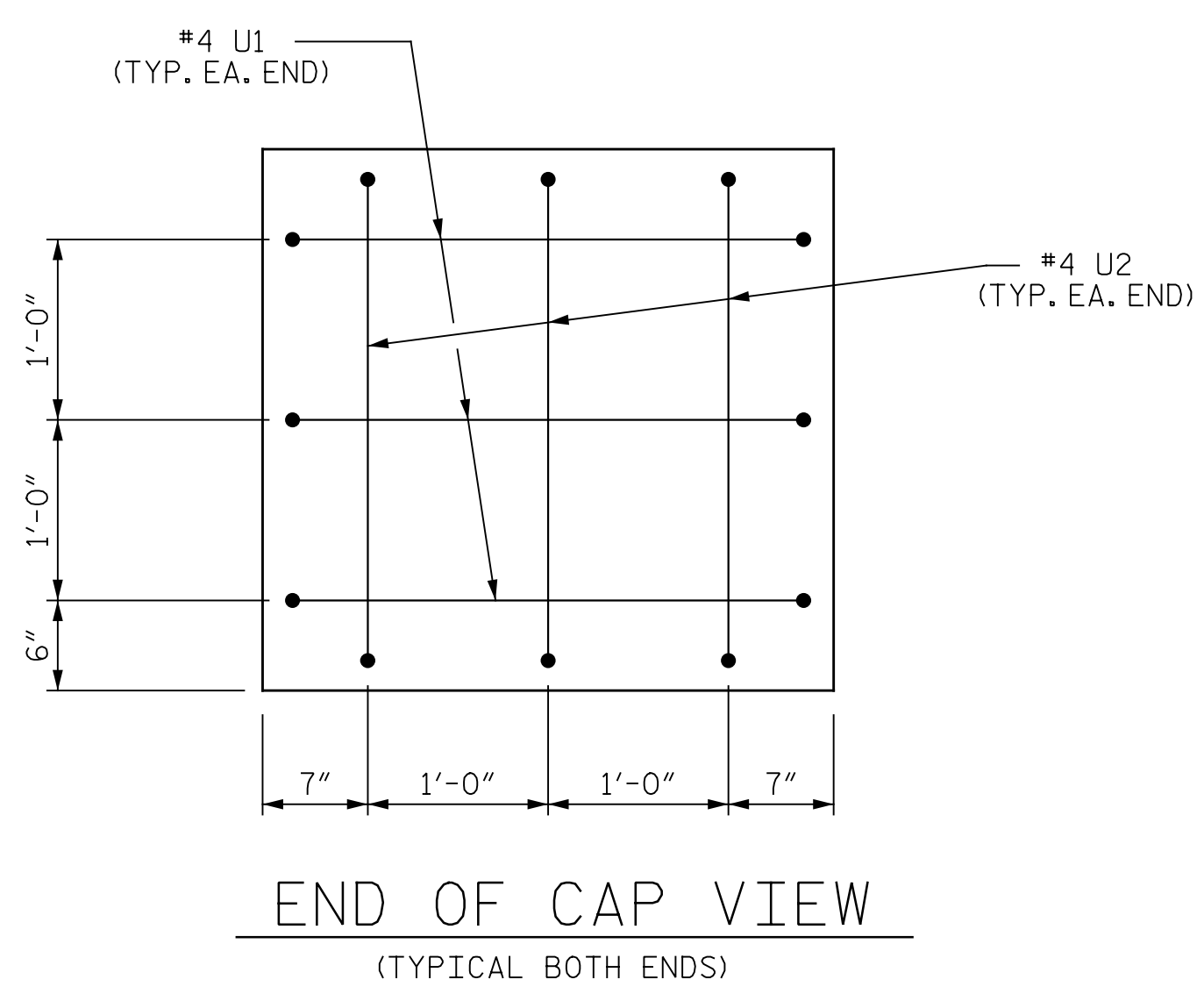
BILL OF MATERIAL					
BENT 1					
BAR	NO.	SIZE	TYPE	LENGTH	WEIGHT
B1	10	#11	1	38'-2"	2028
B2	6	#5	STR	35'-2"	220
D1	44	#6	STR	1'-6"	99
M1	30	#11	STR	23'-10"	3799
S1	60	#5	2	9'-0"	563
U1	6	#4	3	5'-8"	23
U2	6	#4	3	5'-6"	22
V1	10	#11	4	22'-8"	1204
V2	10	#11	4	23'-3"	1235
V3	10	#11	4	23'-9"	1262
REINFORCING STEEL					10455 LBS.
SP-1	3	*	5	276'-3"	864
SP-2	1	**	6	524'-5"	350
SP-3	1	**	6	544'-6"	364
SP-4	1	**	6	557'-10"	373
SPIRAL COLUMN REINFORCING STEEL					1951 LBS.
* THE SP-1 SPIRAL REINFORCING STEEL SHALL BE W31 OR D-31 COLD DRAWN WIRE OR #5 PLAIN OR DEFORMED BAR					
** THE SP-2, SP-3 & SP-4 SPIRAL REINF. STEEL SHALL BE W20 OR D-20 COLD DRAWN WIRE OR #4 PLAIN OR DEFORMED BAR					
CLASS A CONCRETE BREAKDOWN (FOR BENT 1)					
POUR #2 (COLUMNS)					10.8 C.Y.
POUR #3 (CAP)					12.5 C.Y.
TOTAL CLASS A CONCRETE					23.3 C.Y.



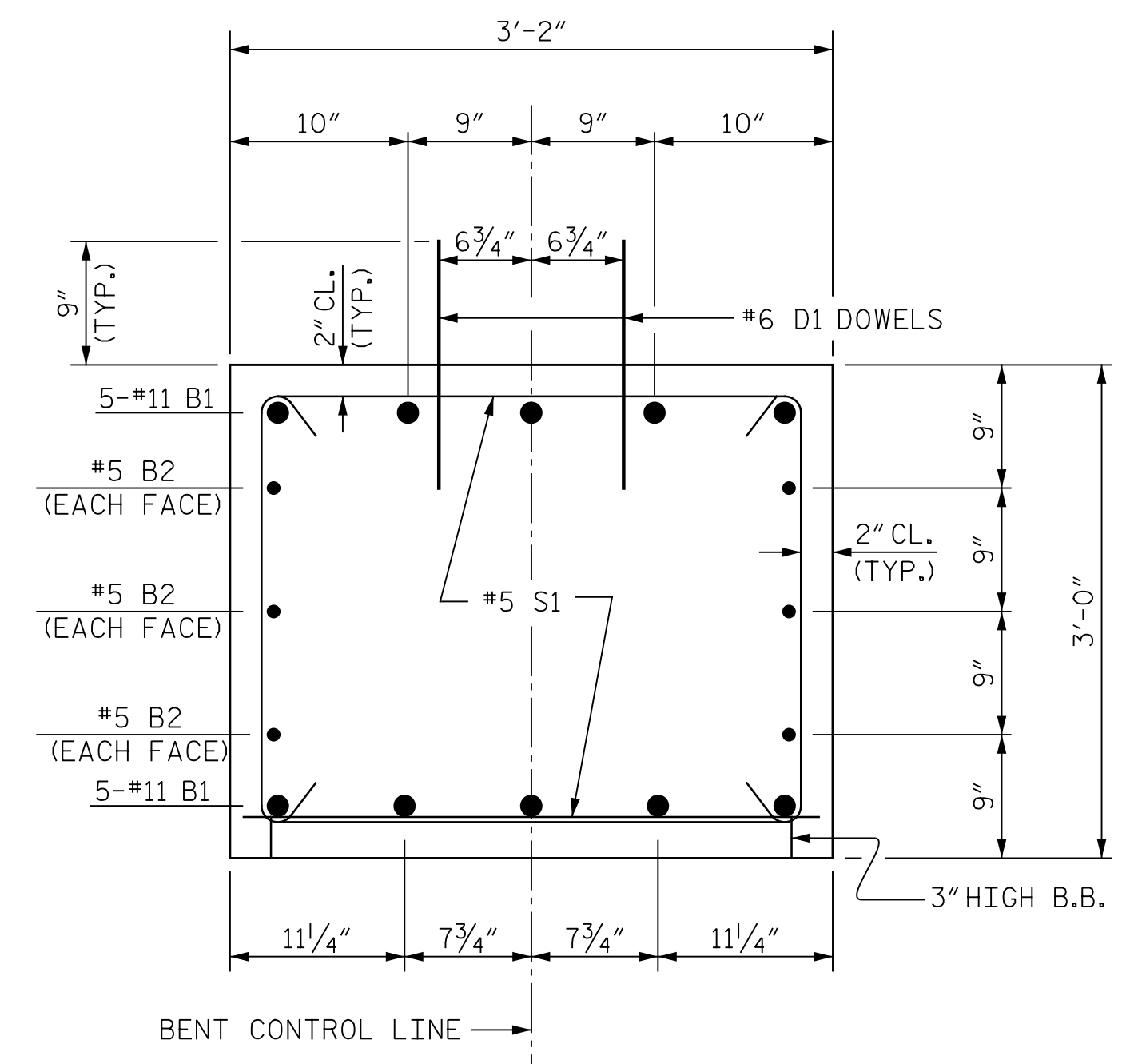
END ELEVATION



CONSTRUCTION JOINT DETAIL

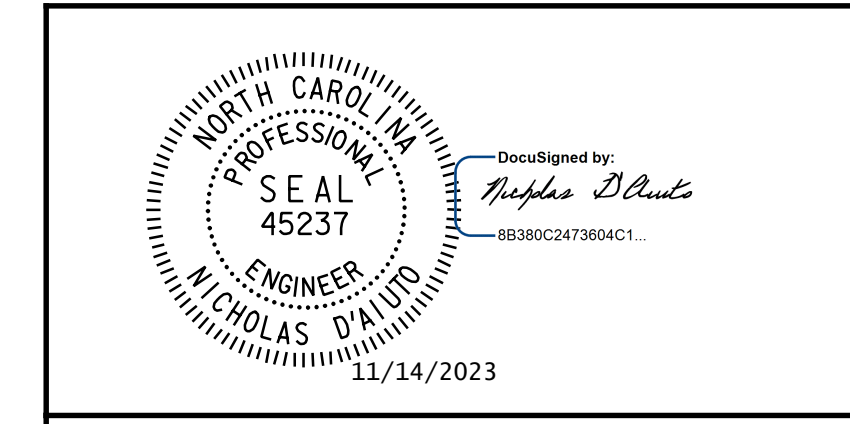


END OF CAP VIEW (TYPICAL BOTH ENDS)



SECTION THRU CAP

COLUMN HEIGHT (H)	
COL. 1	18'-11 7/8"
COL. 2	19'-6 1/8"
COL. 3	20'-0 3/8"



ICE of Carolinas, PLLC
 4505 Falls of Neuse Road, Suite 110
 Raleigh, North Carolina 27609
 Phone: 919-822-0333
 License #: P-9999

PROJECT NO. B-6046
STANLY COUNTY
 STATION: 17+66.00 -L-
 SHEET 2 OF 2

REVISIONS					
NO.	BY:	DATE:	NO.	BY:	DATE:
1			3		
2			4		

SHEET NO. S-18
TOTAL SHEETS 24

DRAWN BY: J. N. AUSTIN DATE: 8-10-22
 CHECKED BY: N. D'AIUTO DATE: 8-12-22
 DESIGN E.O.R.: N. D'AIUTO DATE: 1-4-23

DOCUMENT NOT CONSIDERED FINAL
 UNLESS ALL SIGNATURES COMPLETED